

underwater

RIO | oslo

CABO
3W LED

FL2



Mounting Sleeve



CABO FL2 :

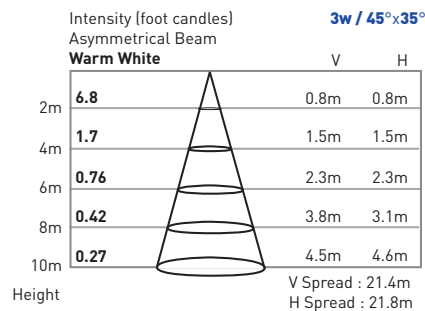
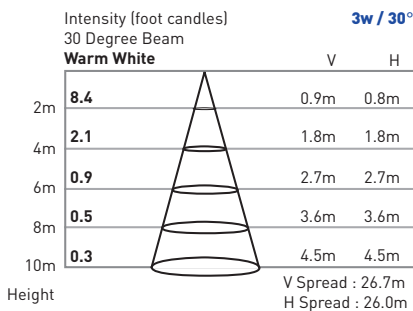
The CABO FL2 Series of LED Underwater Recessed fixtures are perfect for any submersible lighting application. Great for pool or pond illumination as well as fountain and waterfall lighting. Comes with optional PVC mounting sleeve.

- 5-year warranty
- Long life : 50,000 hours
- NOTE : MUST BE INSTALLED UNDERWATER to prevent light from overheating

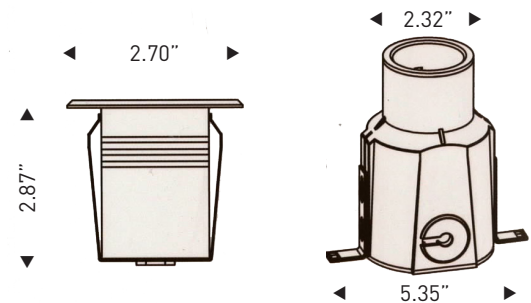
SPECIFICATIONS

Housing & Trim Ring	316L* stainless steel
Gasket	EPDM gasket
Glass	Step-tempered clear glass T=8mm
Lens	Optical lens efficiency ≥85%
Cable Gland	IP68 PG-11 copper and nickel coated
Waterproof Seal	Molded shaped double silicone seal
Environment	-4°F~104°F less than 1m depth
Driver	Single color —1 circuit RGB 3in1 —3 circuits
Cord	20 ft
Cord Termination	OSLO Warm White —Tinned wire ends RIO RGB —Male IP68 Quick-Connect
Mounting Sleeve	058 PVC

PHOTOMETRICS



DIMENSIONS



Model Number	LED Array	Input Voltage	Color	Beam Angle	Cord Termination	Max Power	LUM Flux
FL2-L13-1AWB-S-20HW	1 x 3W	12VAC	Warm White 3000K	30°	2-wire	3W	139
FL2-L13-1AWW-S-20HW	1 x 3W	12VAC	Warm White 3000K	ASY 45°x35°	2-wire	3W	115
FL2-L13-2DXB-S-201M	1 x 3W	24VDC	RGB	25°	Male QC Plug	3.5W	Variable
FL2-L13-2DXW-S-201M	1 x 3W	24VDC	RGB	ASY 45°x35°	Male QC Plug	3.5W	Variable



illuminfx reserves the right to make changes to specifications at any time with or without notice

cabo FL2 2015 | © 2015 illuminfx
www.illuminfx.com | 585 - 254 - 8010