



in grade

RGBW

BOSTON
4W LED

IG6



BOSTON IG6 :

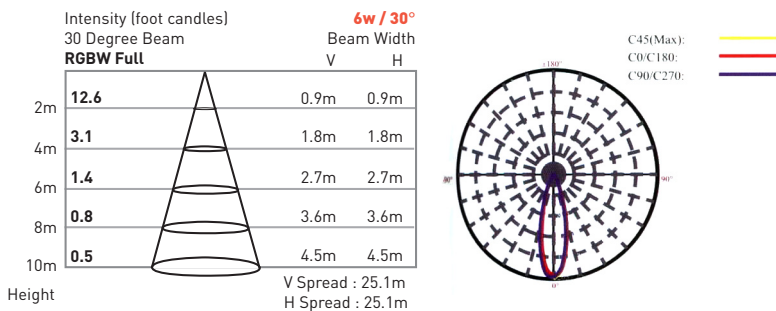
The BOSTON IG6 4in1 RGBW in-grade fixtures are perfect for up-lighting applications in any outdoor project. Achieve beautiful color changing effects on building facades, trees, sculptures, and other architectural elements.

- 5-year warranty
- Long life : 50,000 hours

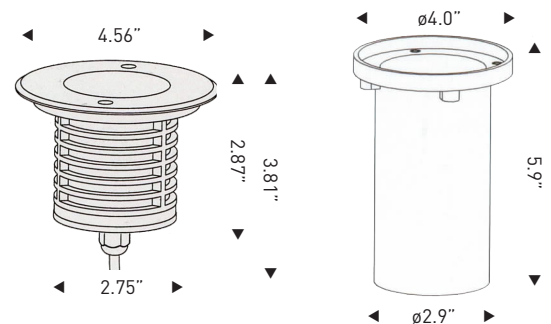
SPECIFICATIONS

Housing	Die cast aluminum, gray powder coat
Trim Ring	316# stainless steel
Glass	Step-tempered clear glass T=8mm
Loading Capacity	Exert force of $\varnothing\frac{3}{4}$ "=1455 pounds
Cable Gland	IP68 PG-9 PVC
Waterproof Seal	Molded shaped double silicone seal
LED	Edison Federal RGBW 4in1 LED
Driver	RGBW 4in1 —4 circuits
Cord	20 ft
Cord Termination	RIO RGBW —Male IP68 Quick-Connect
Mounting Sleeve	015 PVC

PHOTOMETRICS



DIMENSIONS



Model Number	LED Array	Input Voltage	Color	Beam Angle	Cord Termination	Max Power	LUM Flux
LS6-L14-2DZC-S-201M	1 x 4W	24VDC	RGBW	30°	Male QC Plug	6.1W	Variable



illuminfx reserves the right to make changes to specifications at any time with or without notice

boston IG6 2015 | © 2015 illuminfx
www.illuminfx.com | 585 - 254 - 8010