

MANTA RAY

24W LED

MR6



STAND-MR6
optional tripod stand



MANTA RAY MR6 :

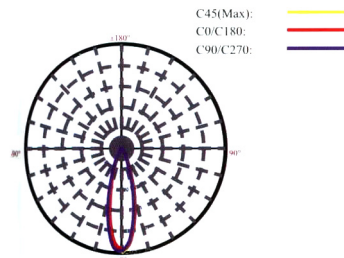
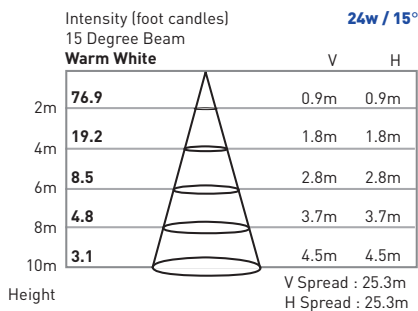
The MANTA RAY MR6 underwater fixtures are a high powered spot light solution. Inside a relatively small package is housed a lot of light output power. Perfect for those larger lighting jobs such as large fountains, waterfalls and ponds. Use the optional tripod stand (STAND-MR6) for more installation flexibility.

- 5-year warranty
- Long life : 50,000 hours
- NOTE : MUST BE INSTALLED UNDERWATER to prevent light from overheating

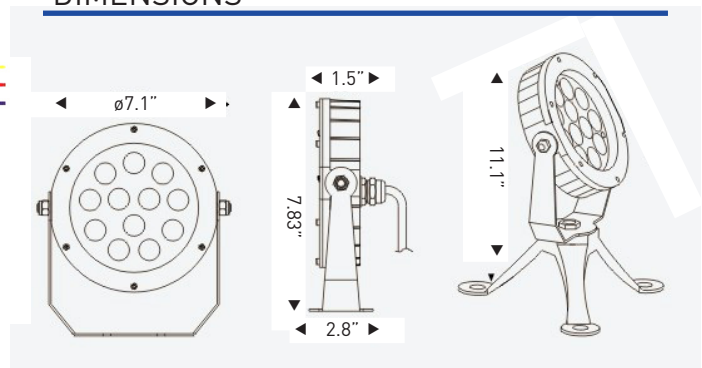
SPECIFICATIONS

Housing & Bracket	316# stainless steel
Front Cover	316L# stainless steel
Glass	Step-tempered clear glass T=5mm
Cable Gland	IP68 PG-11 copper and nickel coated
Waterproof Seal	Molded shaped silicon seal under front cover Silicon glue encasing LEDs, lens and PCB
PCB	Coefficient of heat conductivity ≥ 2.0w/mk
Lens	Optical lens efficiency ≥ 85%
Driver	Single color —1 circuit RGB 3in1 —3 circuits
Cord	20 ft
Cord Termination	OSLO WHITE —Tinned wire ends RIO RGB —Male IP68 Quick-Connect
Environment	Water temperature : -4°~104°F Less than 1 meter depth

PHOTOMETRICS



DIMENSIONS



Model Number	LED Array	Input Voltage	Color	Beam Angle	Cord Termination	Max Power	LUM Flux
MR6-L122-2DWA-S-20HW	12 x 2W	24VDC	Warm White 3000K	15°	2-wire	25W	950
MR6-L122-2DCA-S-20HW	12 x 2W	24VDC	Cool White 6000K	15°	2-wire	25W	1219
MR6-L122-2DXB-S-201M	12 x 2W	24VDC	RGB	25°	Male QC Plug	33.6W	Variable