

LED

G4

1.2/1.5/2/4W

G4



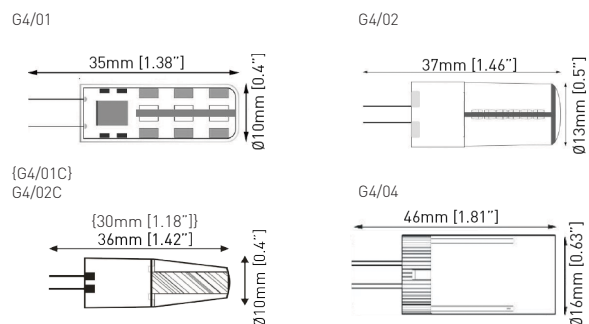
G4 1.5/2/4W LED :

illuminFx's line of LED G4 lamps offers a low cost, high efficiency lamp to replace halogen applications. The 1.5, 2W, and COB lamps are encased in virgin silicone. They are more resistant to both weather and shock, are extremely light weight and physically small so they work in almost any halogen application.

SPECIFICATIONS

CRI	Ra>80
Material	Silicon (4W—Ceramic & PC Cover)
CCT	2800K / 4000K
Beam Angle	360°
Voltage	12VAC/DC (9–14V)
Working Temp	-31–113°F
Dimensions	1.5W – Ø10mm [0.4"] x 35mm [1.38"]
	2W – Ø13mm [0.5"] x 37mm [1.46"]
	1.2cW – Ø10mm [0.4"] x 30mm [1.18"]
	2cW – Ø10mm [0.4"] x 36mm [1.42"]
4W	Ø16mm [0.63"] x 46mm [1.81"]
	25,000 hours
Lifetime	25,000 hours
Dimmable	NO
Lumens/Equiv. 2800/4000K	1.5W – 100/110lm / 15W halogen equivalent
	1.2cW – 120/130lm / 20W halogen equivalent
	2W – 160/170lm / 20W halogen equivalent
	2cW – 200/205lm / 25W halogen equivalent
4W	320/330lm / 30W halogen equivalent

DIMENSIONS



ORDERING GUIDE

example product code: G4/01C/OM360/828/C

LIGHT SOURCE	WATTAGE	BEAM SPREAD	CRI	COLOR TEMP	LENS*
G4	01C	OM360	8	28	C
	01–1.5W			40–4000K	C—Clear
	01C—1.2W			28—2800K	F—Frosted
	02—2W				
	02C—2W				
	04—4W				

*Only applicable to 01/02C lamps

