



in grade

RIO | oslo

CASPER

6W LED

IG3



CASPER IG3 :

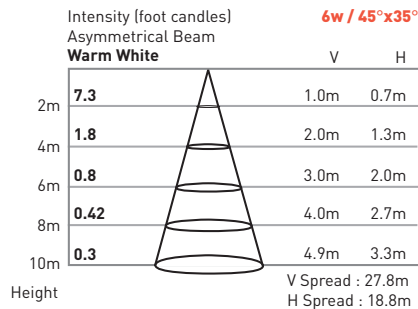
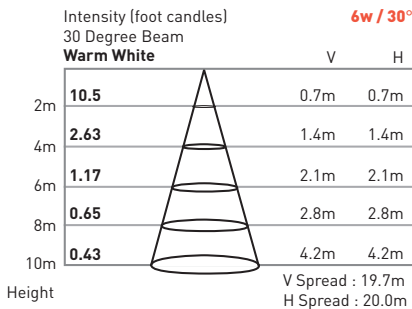
The CASPER IG3 Series of LED In Grade fixtures are perfect for any hardscape illumination application. This compact, yet powerful 6W fixture is great for pergolas, columns, building facades, and different types of plants.

- 5-year warranty
- Long life : 50,000 hours

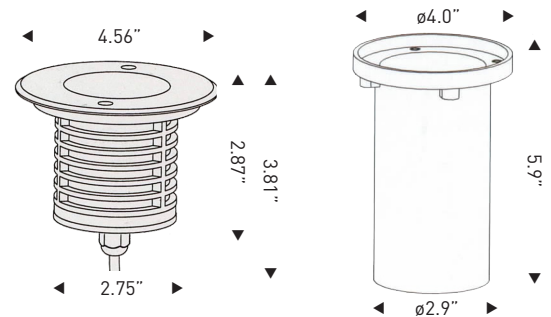
SPECIFICATIONS

Housing	Die cast aluminum, gray powder coat
Trim Ring	316# stainless steel
Glass	Step-tempered clear glass T=8mm
Loading Capacity	Exert force of $\varnothing\frac{1}{2}$ =2021 pounds
Cable Gland	IP68 PG-9 PVC
Waterproof Seal	Molded shaped double silicone seal
LED	T0 power type
Driver	Single color —1 circuit RGB 3in1 —3 circuits
Cord	20 ft
Cord Termination	OSLO Warm White —Tinned wire ends RIO RGB —Male IP68 Quick-Connect
Mounting Sleeve	015 PVC

PHOTOMETRICS



DIMENSIONS



Model Number	LED Array	Input Voltage	Color	Beam Angle	Cord Termination	Max Power	LUM Flux
IG3-L32-1AWC-S-20HW	3 x 2W	12VAC	Warm White 3000K	30°	2-wire	5.6W	376
IG3-L32-1AWW-S-20HW	3 x 2W	12VAC	Warm White 3000K	ASY 45°x35°	2-wire	5.6W	376
IG3-L32-2DXC-S-201M	3 x 2W	24VDC	RGB	30°	Male QC Plug	7.7W	Variable
IG3-L32-2DXW-S-201M	3 x 2W	24VDC	RGB	ASY 45°x35°	Male QC Plug	7.7W	Variable

