

oslo

# TAMPA

20/28W LED

# TP20 28



## TAMPA 20/28W :

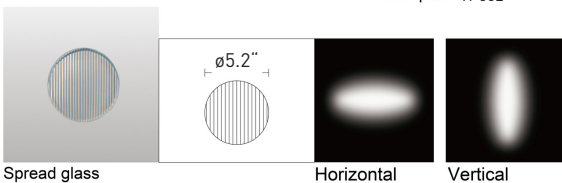
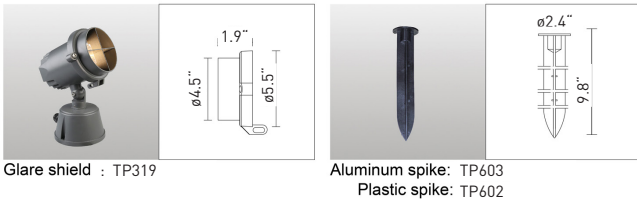
The TAMPA 20/28 watt line voltage landscape stake fixture is a high powered LED solution for almost any outdoor landscape lighting project. Use it to light up building facades, trees, retaining walls, and columns. Installation is quick and easy and the COB LED provides amazingly high lumen output from a small energy efficient lighting fixture.

- 5-year warranty
- Long life : 50,000 hours

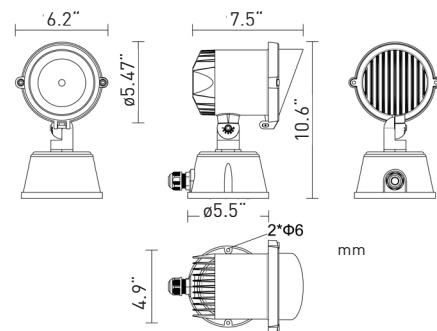
### SPECIFICATIONS

Housing	12" Die-cast aluminum. LM-6
Gasket	Silicon & rubber
Glass	Tempered Glass
Reflector	Anodized aluminum 1090
Surface Coat	AkzoNobel powder coating
Driver	Constant current BridgeLux COB LED
Input Voltage	100-277VAC
Operating Temp	-20°C-45°C
Color Temps	3000K / 4000K / 5000K
Beam Angle	15° / 30° / 45°
Lumens	<b>20W</b>
	3000K - 1800 lm
	5000K - 2100 lm
	<b>28W</b>
	3000K - 2745 lm
	5000K - 3230 lm

### ACCESSORIES



### DIMENSIONS



### ORDERING GUIDE

example product code: TP20/SP45/840/DG

SERIES	WATTAGE	BEAM BEAM	CRI	COLOR TEMP	FINISH
TP	20	SP45	8	40	DG
	20-20W	SP15-45° very narrow spot		50-5000K	
	28-28W	SP30-30° spot		40-4000K	
		SP45-45° spot		30-3000K	
		ASYW-30°X65°			