

SIGNAL AMPLIFIER

Single Color / RGB

SA



SIGNAL AMPLIFIER

IlluminFx's SA Signal Amplifiers are used with the LEVEL SELECT, COLOR SELECT and COLOR SELECT PLUS systems.

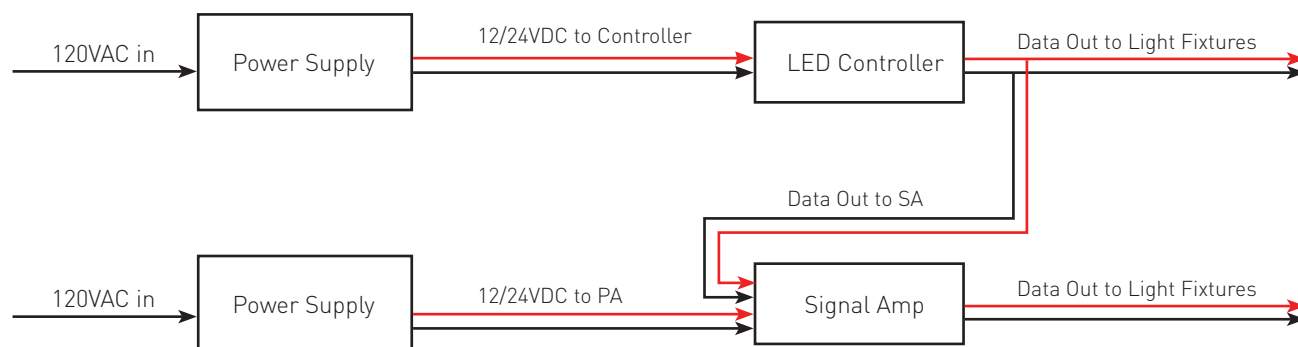
WHAT THEY DO

Signal amplifiers take the signal from the lighting controller (LEVEL SELECT, COLOR SELECT, or COLOR SELECT PLUS) and duplicate that signal to additional lighting fixtures. It makes it so that a job with more than one power supply can have all the LED fixtures doing the same thing at the same time.

WHEN THEY ARE NEEDED

Signal amplifiers are needed when the wattage of the light fixtures on a job exceeds the wattage limits of a single power supply or of the lighting controller itself (LEVEL SELECT, COLOR SELECT or COLOR SELECT PLUS). Basically, if more than one power supply is needed to power the entire system, then a signal amplifier is necessary.

SAMPLE WIRING DIAGRAM



Voltage	5-24VDC
Peak Output Power	144W@12V 288W@24V
Peak Output Current	5A per channel
Efficiency	>97%
Input Voltage Swing	±3V
Components	SMD parts Gold plated double sided FR-4 PCB
Certifications	RoHS
Cable Length	4.72"
Body Size	3.4" x 0.82" x 0.33"
Working Temp	-22°-158°F
LED Connector	SINGLE COLOR Input Power : Red / Black Input Data : Red / Black Output Data : Red / Black RGB Input Power : Red / Black Input Data : Red / Green / Blue / Black Output Data : Red / Green / Blue / Black
Part Numbers	SINGLE COLOR : SA-201 RGB : SA-203

