



Commercial

**WP04**

38/78W LED

WP



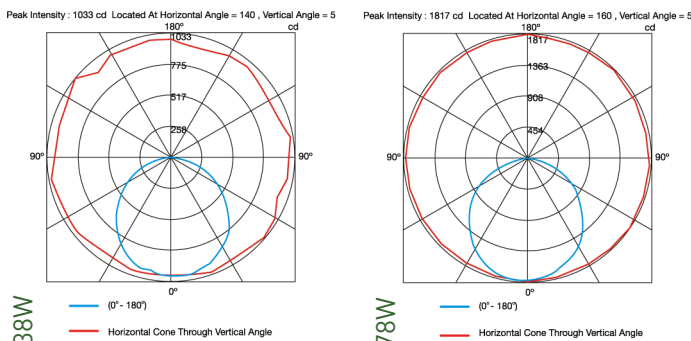
## WP04 :

Utilizing the latest generation of LED chips, this uniquely designed wallpack delivers a similar light output to a 150/250W metal halide but with only 1/3 of the energy consumption. The housing is made of powder coated die-cast aluminum specifically designed for a harsh outdoor environment. The WP-311 is also full cut-off dark sky compliant mounting sleeve.

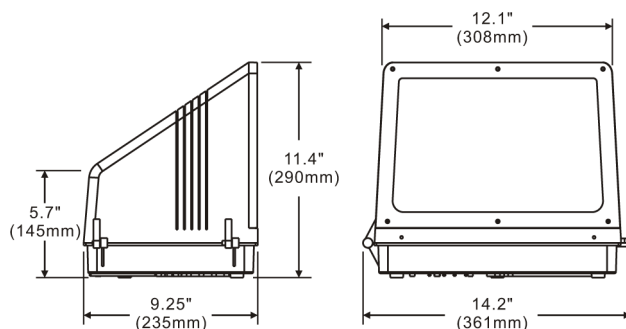
## SPECIFICATIONS

Housing	Die-cast aluminum		
Coating	UV stabilized powder coated		
Glass	Heat and impact resistant tempered		
Output		Lumens	Equivalent
	<b>40W</b>	2857lm / 70 CRI	150W MH
	<b>77W</b>	5449lm / 70 CRI	250W MH
LED	CREE XP-E		
Environment	Suitable for wet locations		
Input Voltage	120-277VAC		
Certifications	UL/CUL listed for wet locations DLC listed		
Warranty	2 years		

## PHOTOMETRICS



## DIMENSIONS



## ORDERING GUIDE

MODEL NUMBER	WATTAGE	BEAM SPREAD	INPUT VOLTAGE	CRI	COLOR TEMP	HOUSING COLOR
WP04	38	WFL120	UA	7	47	BZ
	38W 78W				30 - 3000K* 40 - 4000K* <b>47 - 4700K</b> 55 - 5500K*	BL - Black* <b>BZ - Bronze</b> WH - White*

\* Available with extended lead time  
\* Minimum orders may apply