

Triac/0-10V/1-10V/Potentiometer/10V PWM 5 in 1 Dimmable LED driver 30W
Whole Family

KVG-XXXXX-DW 12V/ 24VDC
30W 60W 80W 96W 100W
120W 150W 200W 300W



FC Class 2 Class P

■ Features:

- Output constant Voltage
- Range: 100-277VAC
- Built-in active PFC function
- Efficiency up to 80%
- Protections: short circuit/over load/ over temperature
- Cooling by free air convection
- Full protection plastic housing, for dry and damp locations
- Dimming function:
 - Phase dimming: works with forward phase/leading edge MLV and Reverse phase /trailing edge ,ELV, TRIAC dimmers
 - 0-10V dimming: 0-10V/1-10V/Potentiometer/10V PWM 4 in 1
 - Dimming range: 0-100%
 - Suitable for LED lighting and moving sign applications

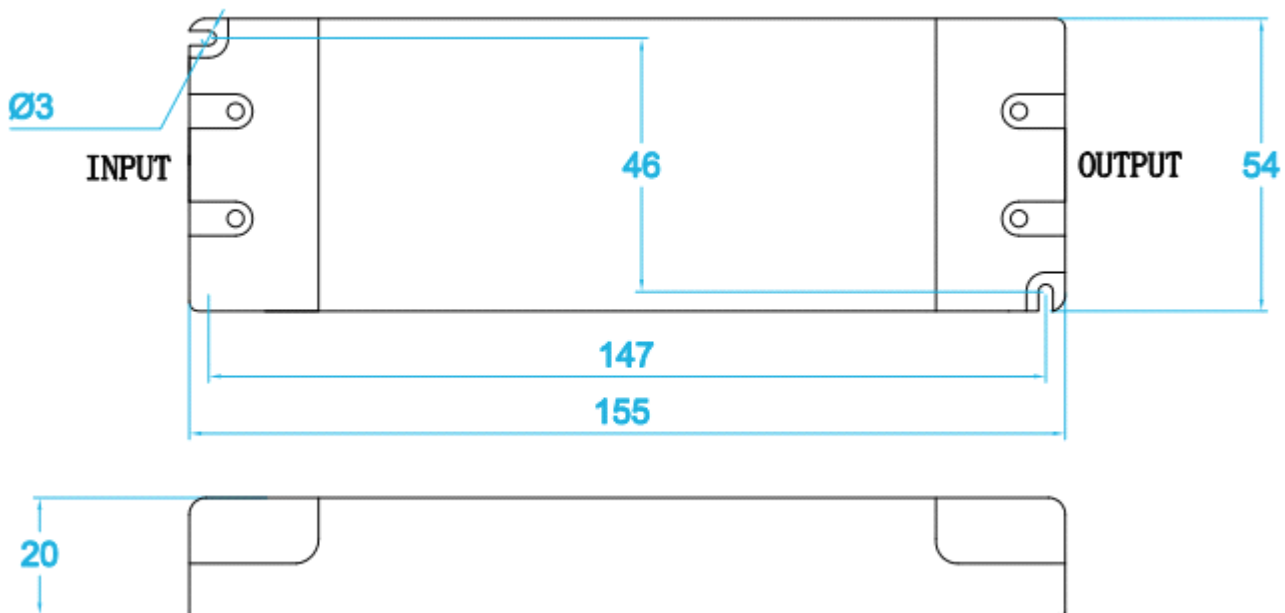
■ Specification

Model		KVG-12030-DW	KVG-24030-DW
Certificates		FCC UL cUL Class 2	
Output	DC Voltage	12V	24V
	Voltage Tolerance	±0.5V	
	Voltage Regulation	±0.5%	
	Rated current	2.5A	1.25A
	Rated power	30W	
	Load Regulation	±1 %	
Input	Voltage Range	100-277VAC	
	Frequency Range	47 - 63Hz	
	Power Factor(Typ.)@ full load	0.99@120VAC 0.98@277VAC	0.99@120VAC 0.95@277VAC
	THD(Typ.) @ full load	<20%@120VAC &277VAC	
	Efficiency(Typ.)@ full load	79%@120VAC 80%@277VAC	79%@120VAC 80%@277VAC
	AC Current(Max.)	0.5A	
	Inrush Current (Typ.)	7A, 50%, 420us @120VAC; 12A, 50% , 480us @277VAC	
Protection	Leakage current	<0.5mA	
	Short Circuit	shut down o/p voltage, re-power on to recover after fault condition removed	
	Over Load	≤120% shut down o/p voltage, re-power on to recover after fault condition removed	
Environment	Over temperature	100°C±10°C shut down o/p voltage, automatically recover after cooling.	
	Working TEMP.	-40~+60°C (see below derating curve)	
	Working Humidity	20 - 95%RH,non-condensing	
	Storage TEM.,Humidity	-40 - +80°C,10 - 95%RH	
	TEMP.coefficient	±0.03%/°C(0 - 50°C)	
Safety & EMC	Vibration	10~500Hz, 2G 10min./1 cycle,period for 60min. each along X,Y,Z axes	
	Safety standards	UL8750+UL1310 , CAN/CSA-C22.2 No.250.13	
	Withstand voltage	I/P-O/P:1.88KVac	
	Isolation resistance	I/P-O/P:100MΩ/500VDC/25°C/70%RH	
EMC Emission		FCC 47 CFR Part 15 ,Subpart B	

Triac/0-10V/1-10V/Potentiometer/10V PWM 5 in 1 Dimmable LED driver 30W

Others	Net Weight	0.21Kg
	Dimension	155*54*20mm(L*W*H)
	packing	350*240*130mm 40pcs /CTN
Notes	1. All parameters NOT specially mentioned are measured at 120VAC input , rated load and 25°C of ambient temperature. 2. Tolerance: includes set up tolerance, line regulation and load regulation . 3. The power supply is considered as a component that will be operated in combination with final Equipment. Since EMC performance will be affected by the complete installation, the final equipment manufactures must be-qualify EMC Directive on the complete installation again.	

■ Mechanical Specification



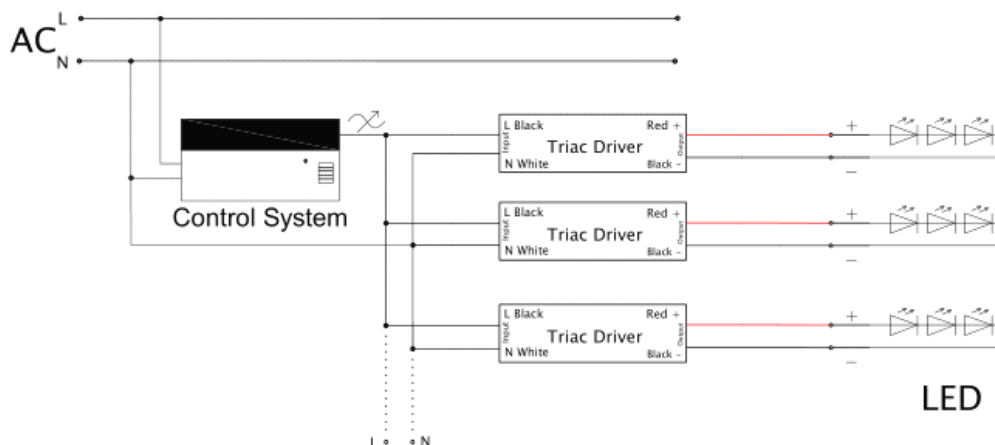
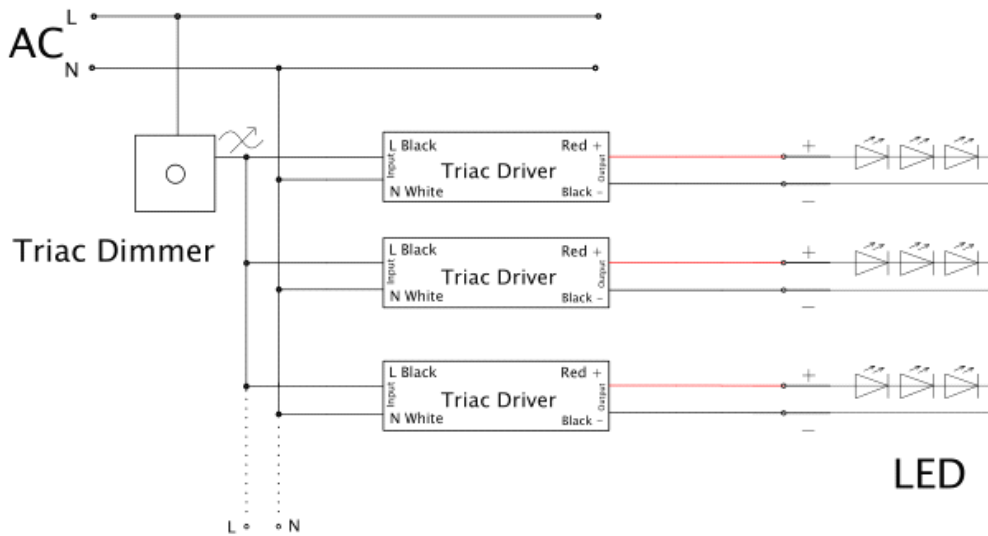
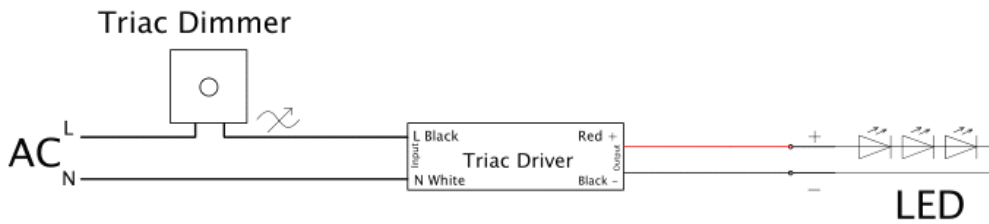
- ※Input with terminals Live(L) and Neutral(N) wires to be connected AC;
- ※Output LED SEC output Positive (LED+) , output negative(LED-). Connected to LED light.
- ※Output terminals DIM (+) to 0/1-10V dimmer signal(+),DIM (-) white connect to 0/1-10V dimmer signal (-)
- ※Please DO NOT connect “DIM-“ to “LED-“, “DIM+“ to “ LED+“ ,or other incorrect connection.
- ※Please make sure your connect these correctly otherwise your product will not function correctly and could be damaged.
- ※Note: Any other requests we can customized.

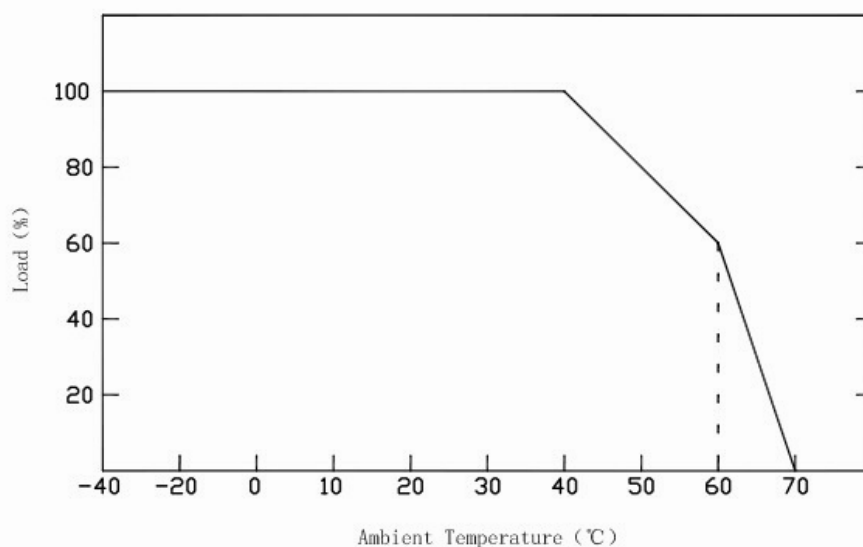
■ Dimming Operation and Connecting Diagram

※Using two ways of dimming at the same time, you must be assured that LED lighting is up to the max. Brightness then you could operate with the other dimming;

※Using one dimming ---TRIAC/Phase cut dimming

- 1.The Pulse-Width Modulation (PWM) of output voltage can be adjusted through input terminal of the AC phase line(L) by connection a phase /Triac dimmer of lighting system.
- 2.Working with forward phase /leading edge ,MLV and Reverse phase /trailing edge ,ELV,TRIAC dimmers
- 3.Min loading is about 10%
- 4.Please try to use dimmers with power at least 1.5 times as the output power of the driver.



■ Derating Curve

※To extend the life, please refer to the Derating Curve and derate according to the temperature.

■ Instruction:

- 1) This driver should be installed by qualified and professional person;
- 2) Please make sure the driver is installed with adequate ventilation around it to allow for heat dissipation.
- 3) Ensure that wiring is correct before test in order to avoid light and power supply damage;
- 4) If driver Cannot work normally, don't maintain privately; Have any question, please contact illuminfx.

Please visit our website or contact us for more information! www.illuminfx.com