

Triac/0-10V/1-10V/Potentiometer/10V PWM 5 in 1 Dimmable led driver

KVG-DWJ 150W

Whole Family

KVG-XXXXX-DWJ 12V/ 24VDC
30W 60W 80W 96W 100W
120W 150W 200W 300W



TYPE HL



■Features

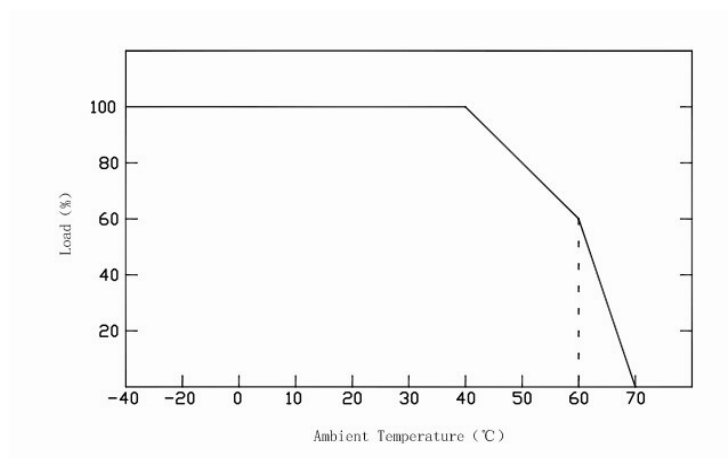
- Output constant voltage
- UL, cUL listed, Type HL rated. FCC
- Universal AC input: 110-277VAC
- Built-in active PFC function
- Power Factor: up to 0.99
- High efficiency : up to 87%
- Load: 10-100%
- Protection:short circuit/over loading/ Over temperature
- PWM output, does not change the color index
- Full protection metal case, for dry, damp, wet location
- Flicker-free
- Dimming function:
Phase dimming: work with forward phase /leading edge ,MLV and Reverse phase /trailing edge ,ELV,TRIAC dimmers
0-10V dimming: 0-10V/1-10V/Potentiometer/10V PWM 4 in 1
- Dimming range: 0-100%
- Suitable for LED lighting and moving sign applications

Model		KVG-12150-DWJ		KVG-24150-DWJ	
Certificates		UL, cUL listed, Type HL rated, FCC			
Output	DC Voltage	12V		24V	
	Rated Current	12.5A		6.25A	
	Rated Power	150W		150W	
	Voltage Tolerance	±0.5V			
	Voltage Regulation	±0.5%			
	Load Regulation	±2%		±1%	
Input	Voltage Range	110-277VAC			
	Frequency Range	47-63Hz			
	Power Factor (Typ.) @ full load	0.98@120VAC 0.95@277VAC		0.99@120VAC 0.94@277VAC	
	THD (Typ.) @ full load	<20%			
	Efficiency (Typ.) @ full load	85% @120Vac 86%@277Vac		85% @120Vac 87%@277Vac	
	AC Current (Max.)	1.8A@100Vac			
	Inrush Current (Typ.)	15A, 50%, 1.4ms @120Vac		30A, 50%, 1.4m,s @277Vac	
	Leakage current	<0.50mA			
Protection	Short Circuit	shut down o/p voltage, re-power on to recover after fault condition is removed			
	Over Loading	≤120% constant current limiting, auto-recovery			
	Over temperature	100°C±10°C shut down o/p voltage, automatically recover after cooling.			
Environment	Working TEMP.	-40~+60°C (see below derating curve)			
	Working Humidity	20~90%RH, non-condensing			
	Storage TEMP. Humidity	-40~+80°C, 10~95%RH			
	TEMP .coefficient	±0.03%/°C (0~50°C)			
	Vibration	10~500Hz, 5G 10min./1 cycle,period for 60min. each along X,Y,Z axes			
Safety& EMC	Safety standards	UL8750			
	Withstand voltage	I/P-O/P:1.88KVAC			

Triac/0-10V/1-10V/Potentiometer/10V PWM 5 in 1 Dimmable led driver
KVG-DWJ 150W

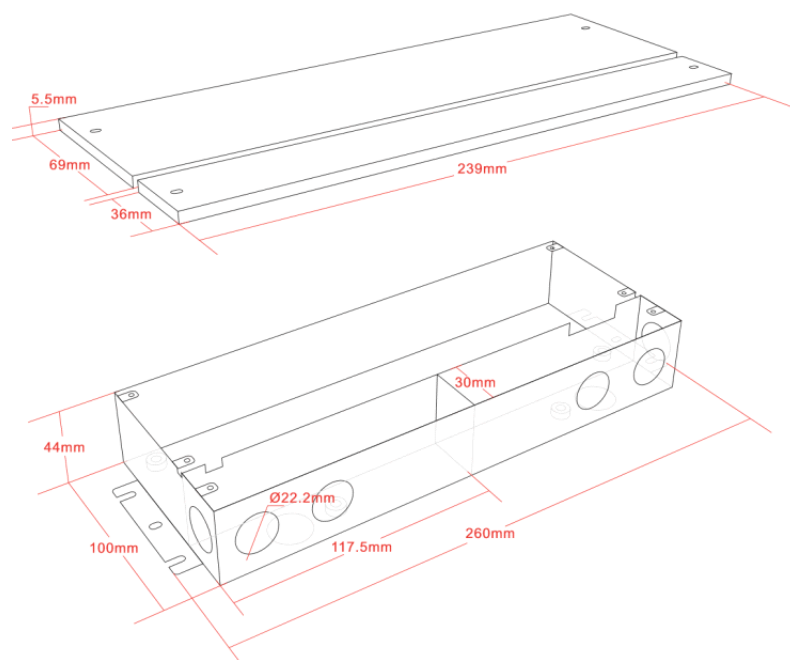
	Isolation resistance	I/P-O/P:100MΩ/500VDC/25℃/70%RH
	EMC EMISSION	FCC 47 CRF Part 15, Subpart B
others	Net. Weight	1.8Kg
	Size	260*105*45mm (L*W*H)
	packing	10PCS/CTN
Notes	1. All parameters if NOT specially mentioned are measured at 120VAC input , rated load and 25℃of ambient temperature. 2. To extend the driver's using life ,please reduce the loading at lower input voltage.	

Derating Curve



※To extend life, please refer to the Derating Curve and derate according to the temperature.

Mechanical Specification



Unit: mm
Tolerance: 0.5-2mm

260(L)*105(W)*45(H) mm

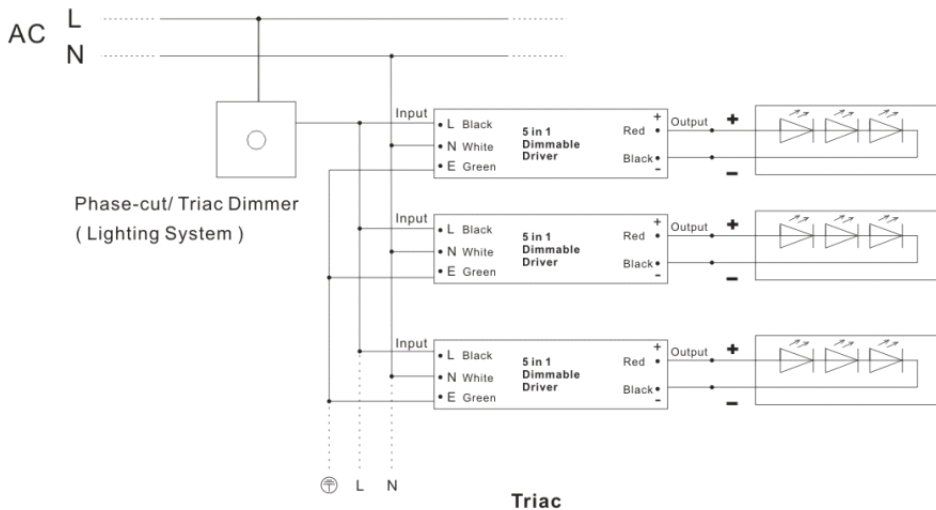
Triac/0-10V/1-10V/Potentiometer/10V PWM 5 in 1 Dimmable led driver
KVG-DWJ 150W

- ※ Input wire Black and White to be connected to AC L and N ,Green wire go ground,
- ※ Output wire Red to LED Positive side (+) , Black to LED Negative side (-).
- ※ Dimming cable DIM (+) Purple to 0/1-10V dimmer signal(+) ,DIM (-) Grey to 0/1-10V dimmer signal (-)
- ※ Please make sure your connect these correctly otherwise your product will not function correctly and could be damaged.
- ※ Note: Any other requests we can customize.

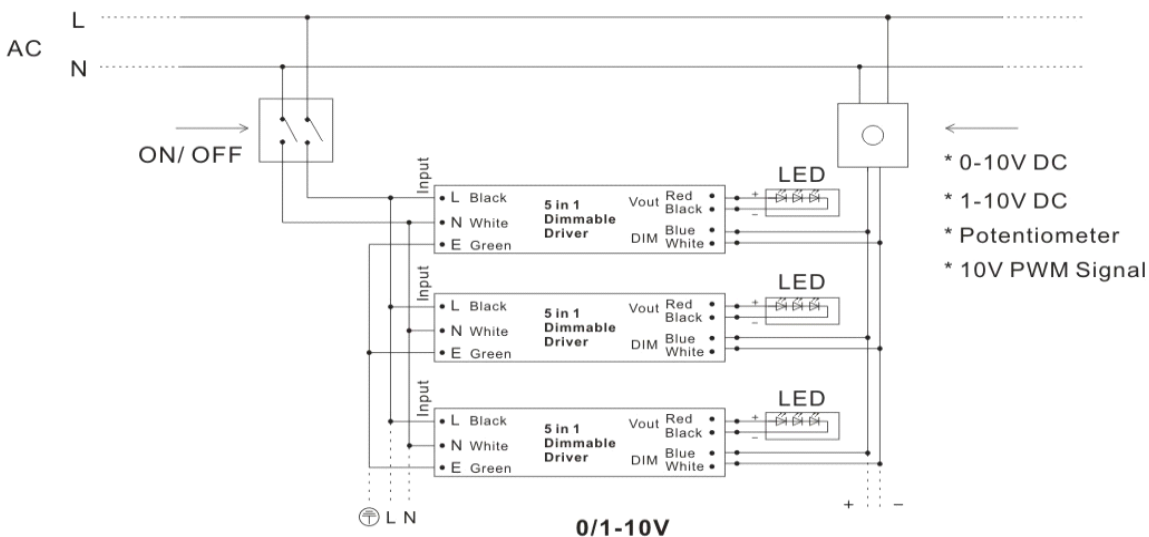
■ **Connecting Diagram**

※ **Using TRIAC/Phase cut dimming**

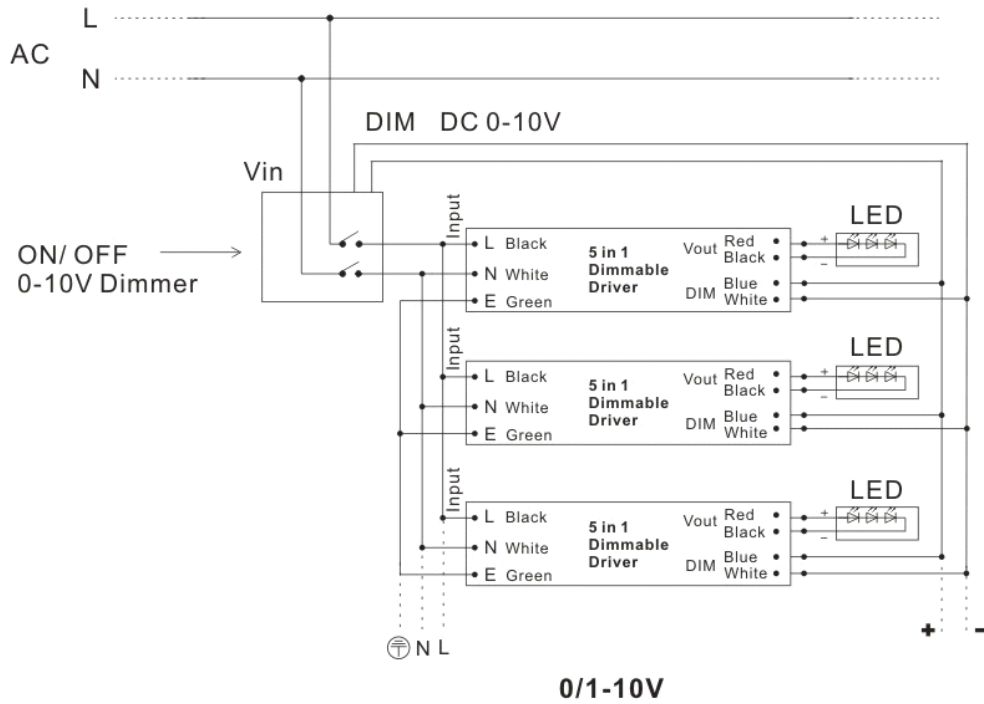
- 1.The Pulse-Width Modulation (PWM) of output voltage can be adjusted through input terminal of the AC phase line(L) by connection a phase /Triac dimmer of lighting system.
- 2.Works with forward phase /leading edge ,MLV and reverse phase /trailing edge ,ELV,TRIAC dimmers.
- 3.Please try to use dimmers with power at least 1.5 times as the output power of the driver.



※ **Using 0-10V/1-10V dimming**



Triac/0-10V/1-10V/Potentiometer/10V PWM 5 in 1 Dimmable led driver
KVG-DWJ 150W



■ **Instruction:**

- 1) This driver should be installed by qualified and professional person;
- 2) Please make sure the driver is installed with adequate ventilation around it to allow for heat dissipation.
- 3) Ensure that wiring is correct before test in order to avoid light and power supply damage;
- 4) If driver Cannot work normally, don't maintain privately; Have any question, please contact IlluminFx.