



OMEGAPRO

Catalog Number _____

Type _____

Job _____

The DL-1 Down Light is used to illuminate objects or a surface from above. These fixtures can be used to accent objects or functional areas. Also used to light up spaces for safety, security, or recreational purposes.

SPECIFICATIONS



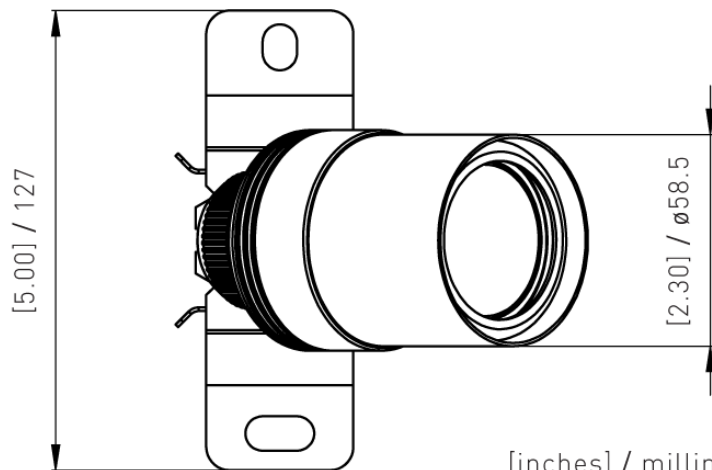
Model#	DL-1
Housing	Solid Brass
Lamp Base	GU5.3 bi-pin
Lamp	12V MR16 (not included)
Max. Wattage	50W
Wiring	3' 18/2 UL wire, SPT-2W leads
Mounting Accesories	Solid Brass Bracket
Lens	No lens
Operation	-13°-104°F
Warranty	Limited Lifetime Warranty

Packing Information

Packing Content	(1) DL-1 Fixture (1) Brass mounting Bracket
-----------------	--

DIMENSIONS

DL-1



DOWN LIGHT
MR16 LED

