

Smart Dimmer Switch

Works with
Smart Life app

Use with or without
 Bluetooth®

works with the
Google Assistant

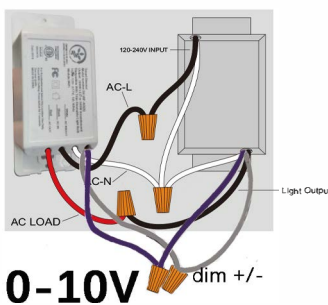
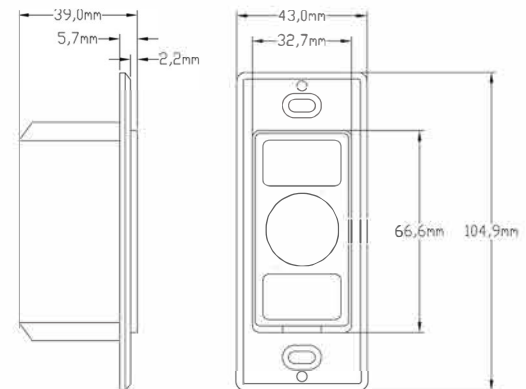
WORKS WITH
amazon alexa

Works As A Standard Dimmer
Use Dimmer As A Master Switch

Features

- Control your lights from anywhere
- Control from the dimmer switch or any smart device
- Voice control with Alexa or Google for hands free use
- Make any bulb smart
- Set schedules and timers
- Use 2 dimmers on the same circuit
- Use dimmer as a master switch to shut off other lights
- Includes LED dimming indicator lights
- ETL listed

*Grouping is based on your household Network load.



Model number	Smart dimmer switch
Quantity	100PCS
Net Weight	9.2KG/20.28Lbs
Gross Weight	11.9KG/26.23Lbs
Ctn Size	590mm*580mm*115mm 23.2inch*22.8inch*4.5inch

Specifications

Item Number	Maximum Wattage	Input Line Voltage	Dimmer
GM9	1000W	120V-277V	0-10V

NETWORK CONNECT AND APP SETUP

1

Connect to a 2.4GHz Wi-Fi Network. Download and install the **Smart lift App**

NOTE: Only works with **2.4GHz** Wi-Fi networks



Go to your settings and Open your phone to your Bluetooth.

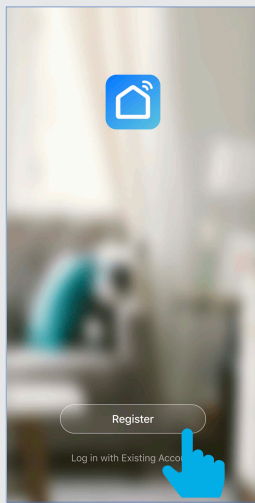


Download and launch the **Smart Life App**



2

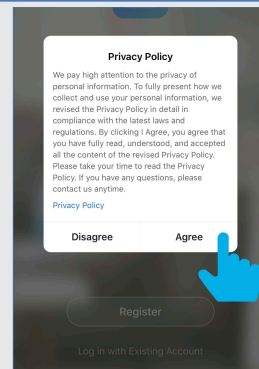
Register



Tap **Register** to create a new account or Tap **Log in** if you have an existing account.

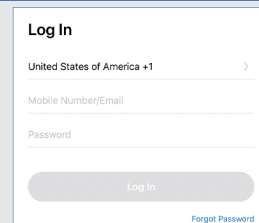
3a

Privacy Policy



Tap **Agree**.

3b



Returning users **Log in** and skip to step 10.

APP SETUP

4

Register

Register

United States of America +1

Mobile Number/Email

Get Verification Code

I Agree User Assessment and Privacy Policy

Passwords

q w e r t y u i o p

a s d f g h j k l

z x c v b n m

123 space done

You may use an email or mobile number to create an account. Then tap **Get verification Code**. (A verification code will be sent to your email or mobile number.)

5

Verification/Password

Enter Verification Code

Verification code has been sent to your mobile phone: Resend (54s)

1	2 ABC	3 DEF
4 GHI	5 JKL	6 MNO
7 PQRS	8 TUV	9 WXYZ
	0	

Enter **Verification Code** sent to your email or mobile number.

Set Password

Password must contain 6-20 letters and numbers

Done

Create a Password then tap **Done**.

6

Permissions

"Smart Life" Would Like to Use Bluetooth

This will allow the app to find and connect Bluetooth accessories. This app may also use Bluetooth to locate Bluetooth device.

Don't Allow OK

Allow Bluetooth (Recommended).

"Smart Life" Would Like to Send You Notifications

Notifications may include alerts, sounds, and icon badges. These can be configured in Settings.

Don't Allow Allow

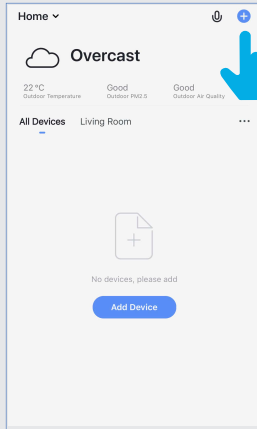
Allow Notifications (Highly Recommended).

SMART DIMMER SETUP

1

Add Device

IMPORTANT!
Install and Power On
your Smart Dimmer before proceeding.



Tap + in the upper right corner
NOTE: If this is the first device you
are setting up, you can also
select **Add Device**.

2

Add Controls Device



Make sure the bluetooth of
your phone is on,
tap lighting and then tap
lighting (Bluetooth) device.

3

Confirm Pairing

Reset the device first.

- If the light is blinking fast, skip the reset step
- ⊖ Power on
 - ⊖ Turn On-off-on-off-on (Subject to User Manual)
 - ⊖ Ensure light is fast blinking
 - ⊖ Attention: Please complete pairing process within 3 minutes after device reset.

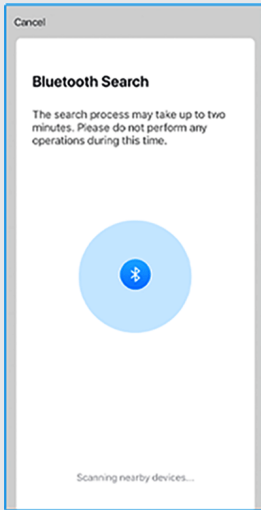


Indicator light on Dimmer Switch
must be blinking rapidly to connect.
If not already blinking,
press and hold the power button
for five seconds, then tap **Confirm**.

SMART DIMMER SETUP

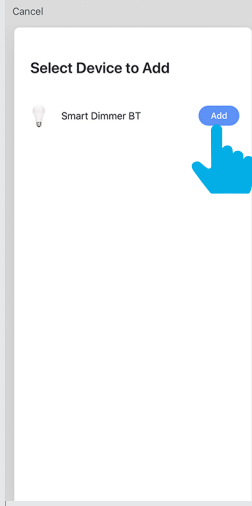
4

Connect



The connecting status window will appear.
Wait until it's completed.

5



Tap Add.

Troubleshooting

Device not responding
Try "Switch Pairing Mode"

- ⦿ Check if the device has been reset and the indicator is blinking quickly.
- ⦿ Check if it is 2.4 GHz Wi-Fi.
- ⦿ Verify the Wi-Fi password.

Retry

Switch Pairing Mode

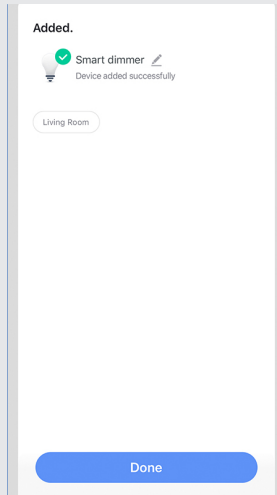
More device-pairing FAQs

If you see a **Device not responding** notification, check to be sure your Wi-Fi password was entered correctly. Close the app and repeat the previous steps to try connecting again or **device-pairing FAQs** for further assistance.

SMART DIMMER SETUP

6

Device Added



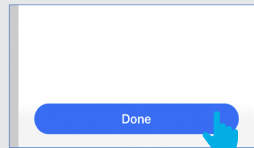
Once device is successfully added, tap the **Pen** icon to rename the device.

Edit Device Name



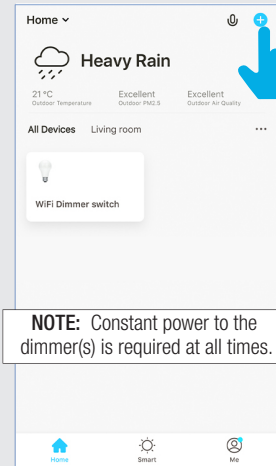
Once device has been renamed,

- 1 Tap **Save**
- 2 then tap **Cancel**.



Then tap **Done**.

Adding Additional Devices



NOTE: Constant power to the dimmer(s) is required at all times.

To add additional devices tap the plus (+) sign in the upper corner. Repeat steps **2, 3, 4, 5** and **6**.

FEATURES

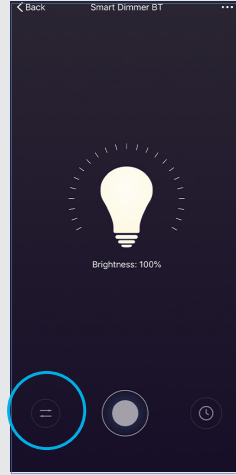
1

On / Off / Settings



Individual light On/off

2



Dimmer is able to by tapping the round button

3

Settings / Dimming



Use the dimming bar to set the brightness level. from Bright(100)% to Dark(0%)