

# SS-LT123 DMX Signal Amplifier



The SS-LT123 is dedicated to amplify, distribute, and insulate the DMX signal that comes from a DMX Lighting Controller [such as the SS-303]

1. It's specially designed for signal shaping amplification for DMX512 (485) signal which attenuated after a long-distance transmission, realize extending the signal transmission distance;
2. Need to use the multiple signals expansion output control, increase DMX (485) signal amplifier to distribute multi-channel control.
3. 1 channel input, 3 channels distributed output, there is a independently photoelectricity insulation of >3KV between Input and output terminals, and output terminals among 3 channels, so as to avoid the expensive equipment such as light, 485 communications equipment, DMX driver, precise digital lighting controller, being burnt by the possible high voltage which caused from the wrong wire connection and a broken equipment, also can avoid the signal interference between each DMX equipment, to assure it works safely.

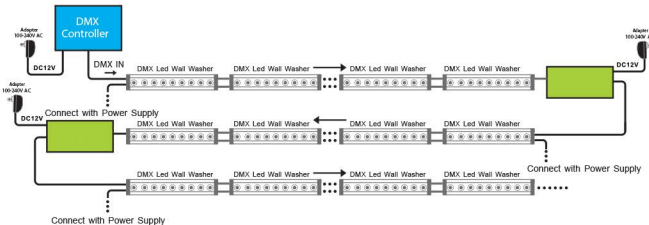
## 1. Product Parameter:

LT-123	
Input Voltage	DC12V(with an adapter to convert AC100-240V to DC12V))
Input DMX Signal	1CH DMX (485) Signal Input ( photoelectricity isolation 5kv)
Output DMX Signal	3CH DMX (485) Signal Output ( photoelectricity isolation 5kv)
DMX512 Socket	XLR-3 Plug, Green Terminal
Working Temperature	-30°C ~ 60°C
Dimension	L192×W80×H41mm
Package Size	L270×W90×H46mm
Weight(G.W.)	563g

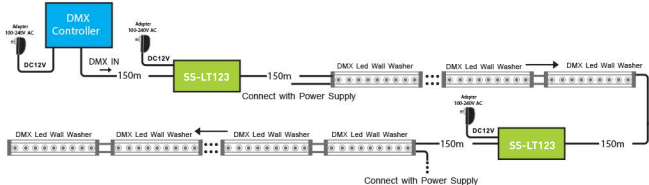
## 3. Connection Diagram:

DMX (485) signal amplifier can isolate, amplify and distribute the signal to all kinds of DMX (485) control equipment, see the example for the DMX Lighting.

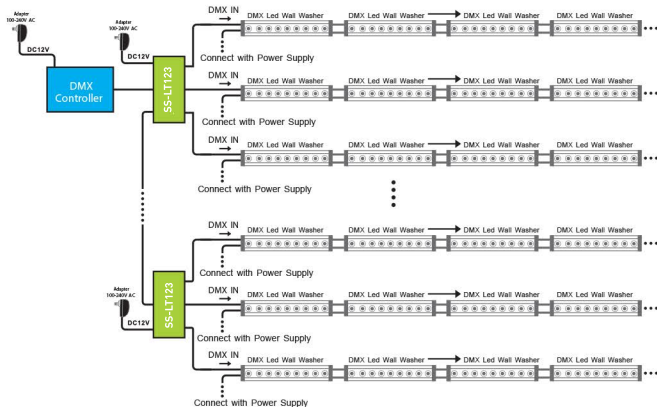
### A. DMX Signal with many DMX LED Lights



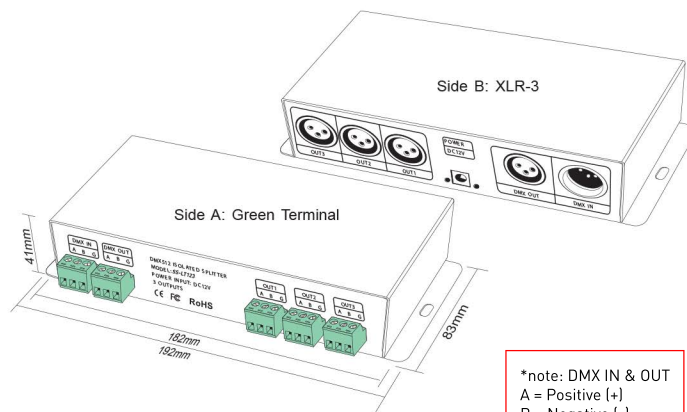
### B. Long Distance DMX Signal



### C. Multiple DMX Sections

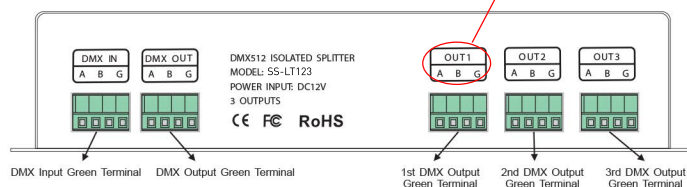


## 2. Configuration Diagram:

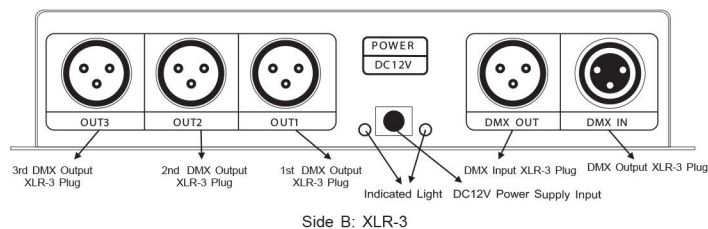


\*note: DMX IN & OUT  
A = Positive (+)  
B = Negative (-)  
G = Ground

Provides Two Signal Terminals to Select:



Side A: Green Terminal



Side B: XLR-3

## 4. Attention:

- 1) The product shall be installed and serviced by a qualified person.
- 2) This product is non-waterproof. Please avoid the sun and rain. When installed outdoors please ensure it is mounted in a water proof enclosure.
- 3) Good heat dissipation will prolong the working life of the controller. Please ensure good ventilation.
- 4) Please check if the output voltage of any LED power supplies used comply with the working voltage of the product.
- 5) Please ensure that adequate sized cable is used from the controller to the LED lights to carry the current. Please also ensure that the cable is secured tightly in the connector to avoid the accidents due to overheat and poor contact on the wire.
- 6) Ensure all wire connections and polarities are correct before applying power to avoid any damages to the LED lights.
- 7) If a fault occurs please return the product to your supplier. Do not attempt to fix this product by yourself.

## 5. Warranty Agreement:

- 1) We provide lifelong technical assistance with this product:
  - A 3 year warranty is given from the date of purchase. The warranty is for free repair or replacement and covers manufacturing faults only.
  - For faults beyond the 3 year warranty we reserve the right to charge for time and parts.
- 2) Warranty exclusions below:
  - Any man-made damages caused from improper operation, or connecting to excess voltage and overloading.
  - The product appears to have excessive physical damage.
  - Damage due to natural disasters and force majeure.
  - Warranty label, fragile label and unique barcode label have been damaged.
  - The product has been replaced by a brand new product.
- 3) Repair or replacement as provided under this warranty is the exclusive remedy to the customer. IlluminFx shall not be liable for any incidental or consequential damages for breach of any stipulation in this warranty.
- 4) Any amendment or adjustment to this warranty must be approved in writing by IlluminFx only.

★ This manual only applies to this model.  
IlluminFx reserves the right to make changes with or without prior notice at any time.