

# **AQ-6000 Series**

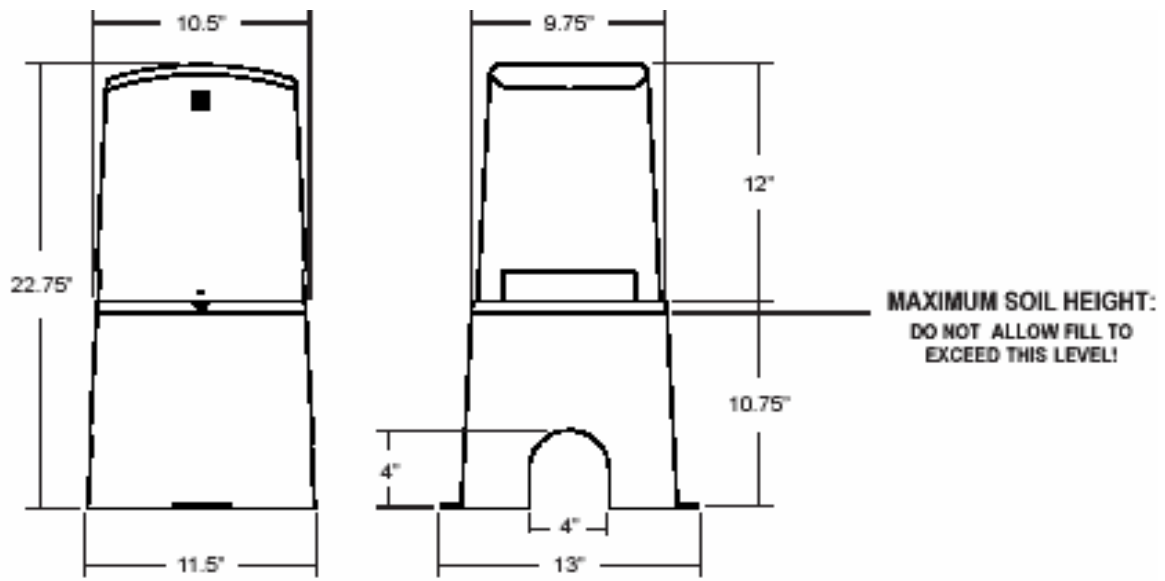
# **INSTALLATION** **MANUAL**

Thank you for purchasing the IlluminFX Fiber Optic Lighting System for ponds and water features. Properly installed, the system will provide years of beautiful illumination in and around the pond.

## Kit Contents

Inside the box you should find the following:

- Fiber optic cable harness assembly with 4, 8, 12, or 16 cables attached to a common optical port.
- Pedestal bases corresponding in number to the number of cables in the harness
- Illuminator Base
- Illuminator cover
- Illuminator chassis with lamp installed
- (2) Self-tapping screws to attach illuminator to base
- (2) Pan head machine screws to attach cover to illuminator



---

### **SPECIFICATIONS**

#### **CONSTRUCTION**

Case: High Impact Polycarbonate  
Ventilation: 110 cu ft/min air volume  
Acoustic rating: 50dB(A)  
Weight: 20 lbs.

#### **ELECTRICAL**

Voltage required: 120VAC 60Hz  
Power consumption: 200 Watts max  
Start current load: 4.4 amps  
Current usage: 1.8 amps

---

#### **LAMP**

Type: Metal-Halide, proprietary design  
Lamp life: 6000 hrs average  
Cool down restrike period: 3 minutes

---

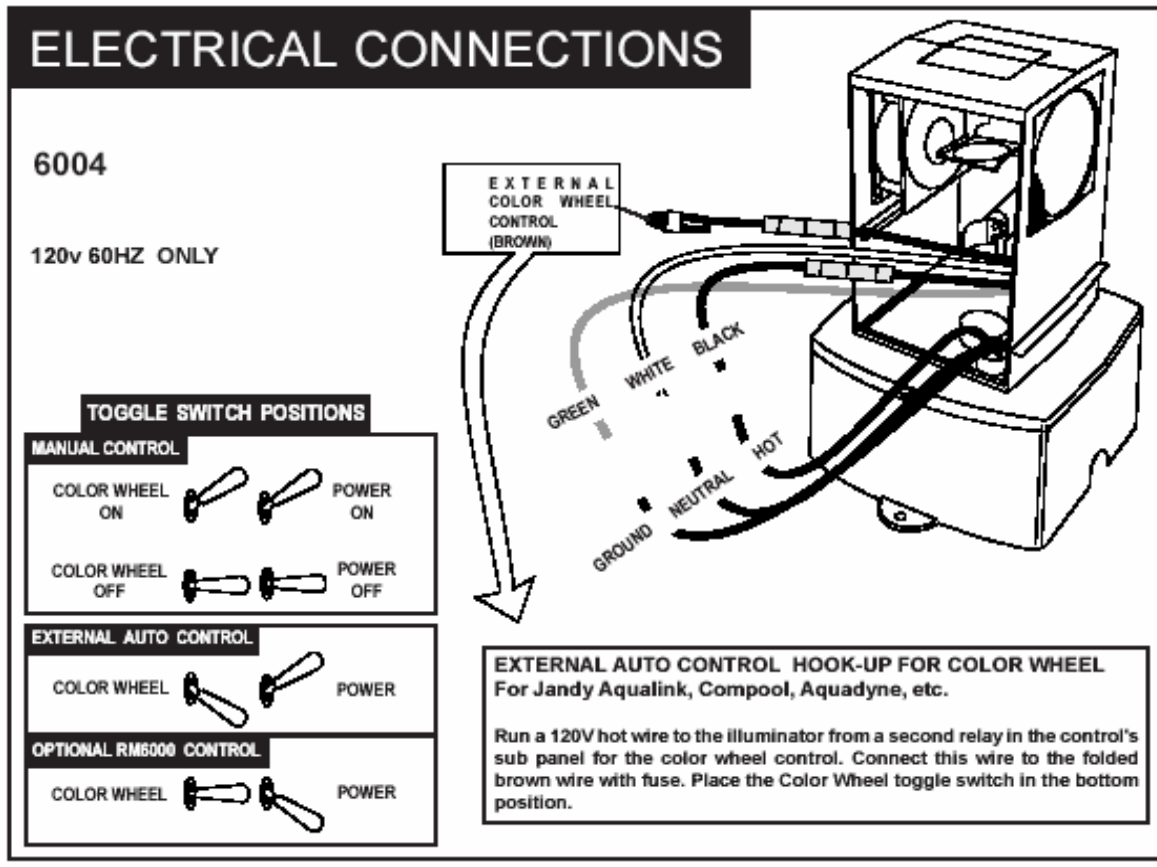
**WARNING: DO NOT INSTALL WITHIN 1.5M (5 FT.) OF A POOL, SPA, OR HOT TUB.**  
**ADVERTISSEMENT: NE PAS INSTALLER A MOINS DE 1,5 M D'UNE PISCINE OU D'UNE CUVE DE RELAXATION.**



---

#### **Warranty:**

**Limited One Year Warranty, including lamp.**



### Lamp "Restrike"

When Turning the system off and the turning it immediately back on, it may take 1 to 3 minutes before the lamp comes back on.

This process allows the lamp to cool down and then restart. This is a normal function of the Metal-Halide lamp system the IlluminFx 6000 series illuminators uses.

### **IMPORTANT!**

Your IlluminFx illuminator needs air to breathe! Lack of ventilation can cause the unit to overheat. This will shorten the lamp life and could damage the unit.

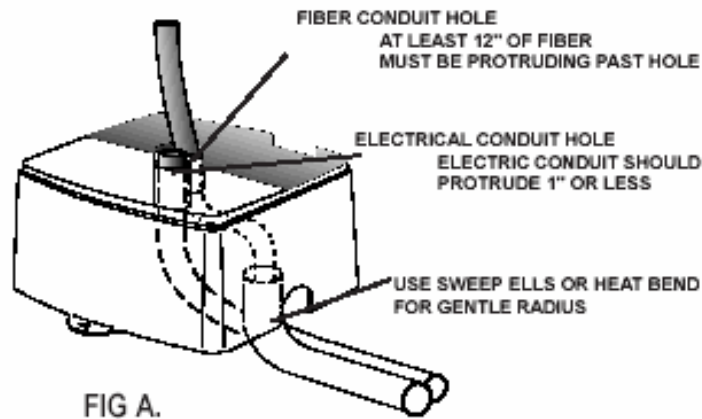
**DAMAGE TO THE UNIT BECAUSE OF BLOCKED AIR VENTS IS NOT COVERED UNDER OUR WARRANTY!**

### **INSTALLATION INSTRUCTIONS**

- 1 **Decide which parts of the pond to illuminate.** Try one or two fixtures per waterfall drop, depending on the size of the drops. Consider illuminating aquatic plants, fish, fountains, and other interesting objects in and around the pond. Miniature Japanese Maples and other small plants and trees look fabulous lit with the small fiber optic fixtures. Draw a sketch of the

pond (bird's eye, or Plan View) and mark and number the drawing with the locations of lighting fixtures you need. Count the number of fixtures you will need and write it down.

- 2 **Place the Illuminator.** Pick a spot as close as is practical to the pond. A good spot is near the waterfall off to the side. Dig a hole about 15 inches square and 12 inches deep, and a trench from the hole over toward the edge of the pond where the fiber cables will be run. Place the illuminator's base in the hole.



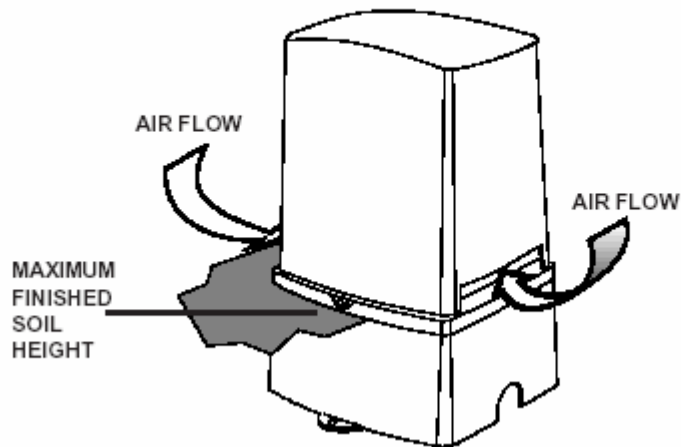
- 3 **Run the fiber optic cables from the base to the chosen locations.** Place the optical port end of the fiber optic harness in the base and up through the large round hole in the base. Run the individual fiber optic cables out through the trench and over the edge of the pond. Place the fixtures close to the final locations you determined in *Step 1*.

- 4 **Set the Illuminator chassis on its base and insert the optical port into the spring clip below the lamp.** Wire the illuminator to a GFCI protected outlet as shown on the previous page. Make sure no wires interfere with the cooling fan or color wheel. Place the cover onto the illuminator.



- 5 **Backfill halfway up the installation base.** Allow ample height for topsoil and landscaping. Do not allow the vents on the bottom of the illuminator to be blocked. This will cause the illuminator to overheat and shut off.

## DO NOT ALLOW AIR VENTS TO BE BLOCKED!



- 6 **Put the fixtures in their final locations and aim.** The fixtures can be placed at the bottom of the pond, at the side wedged between rocks, or almost anywhere. Then, conceal the fixtures by placing rocks, mulch, or whatever around them. You can now cover the fiber cables with small stone, mulch, or other typical materials you may use to conceal other types of wiring systems. Keep in mind that you never want to cut through the fiber. It cannot be spliced together. If the fiber is cut, the entire cable needs to be replaced.

### Fixture Placement and Aiming – The most critical part of a successful installation.

**Illuminating small waterfalls** - Place the fixtures off to the side and about 12” in front of the waterfall drop. Aim the fixture across the face of the falling water. Repeat this for each drop, and consider placing a fixture on each side of the drop.

If there is no way to place the fixtures in this manner, such as when the water falls into a pond, try placing the fixtures directly underneath the spot where the water hits the pond and aim the light up into the turbulence.

**How to avoid glare** - Determine the most popular or common viewing spot. Aim all fixtures away from there. If a pond or landscape has pathways or viewing locations all the way around it, try to mask the light from the fixtures by placing them next to rocks, plantings, or anything else that can help shield the glare.

**Above the Water or Below?** – You will get different effects on the same object depending upon whether you illuminate it from below the water’s surface or above. Be willing to experiment and utilize your creativity.

## **TROUBLE SHOOTING**

### **-THERE IS NO LIGHT**

- You can hear the fan running: The lamp has probably failed. Replace with IlluminFx part #AQ-B150MH.

### **-THERE IS NO FAN RUNNING**

- The illuminator is not getting power. Check the toggle switch position by referring to the diagram on the front of this manual. Check the GFCI to make sure it is energized, and check the fuse on the illuminator.

### **-THE UNIT SHUTS OFF AFTER A FEW MINUTES AND THEN COMES BACK ON**

- Check to see if the air vents are blocked. Refer to the above drawing to make sure the vents are clear.
- Turn off the power and remove the two screws securing the cover and check for an obstruction in the cooling fan.

## GENERAL WARRANTY FOR FIBER OPTIC LIGHTING PRODUCTS

Unitrac warrants the Lighting Systems (illuminator and fiber) including the lamp, to be free from defects in material and/or workmanship, under normal use and service, for a period of ONE YEAR from the date of installation.

A Lighting System is defined as an Illuminator coupled with fiber to deliver fiber optic lighting. The use of a Unitrac component (illuminator or fiber tubing) with a non-Unitrac component voids all warranties. Unitrac components are designed to be part of a Unitrac system. Their use with other components will affect their performance and therefore will not be warranted.

In the event of a defect in material or workmanship during the warranty period, Unitrac will repair or replace (at its option) the Lighting System under the conditions of the Warranty. Unitrac will do so at its expense for the materials but not for shipping. **THIS REMEDY IS THE SOLE AND EXCLUSIVE REMEDY FOR ANY AND ALL CLAIMS RELATING TO ANY BREACH OF WARRANTY BY UNITRAC.**

### LIMITATIONS, EXCLUSIONS AND OTHER RIGHTS:

- A. EXCEPT AS PROVIDED HEREIN, UNITRAC MAKES NO OTHER WARRANTIES, EXPRESS OR IMPLIED, INCLUDING BUT NOT LIMITED TO THE IMPLIED WARRANTIES OF MERCHANTABILITY OR FITNESS FOR A PARTICULAR PURPOSE AND ALL SUCH WARRANTIES ARE EXPRESSLY DISCLAIMED. SOME STATES DO NOT ALLOW THE EXCLUSION OF AN IMPLIED WARRANTY, SO THE ABOVE EXCLUSION MAY NOT APPLY TO YOU.
- B. IN NO EVENT SHALL UNITRAC BE LIABLE FOR INDIRECT, INCIDENTAL OR CONSEQUENTIAL DAMAGES, EVEN IF UNITRAC HAS BEEN ADVISED OF THE POSSIBILITY OF SUCH DAMAGE. THIS DISCLAIMER APPLIES DURING AND AFTER THE WARRANTY PERIOD. SOME STATES DO NOT ALLOW THE EXCLUSION OR LIMITATION OF INDIRECT, INCIDENTAL OR CONSEQUENTIAL DAMAGES, SO THE ABOVE LIMITATION OR EXCLUSION MAY NOT APPLY TO YOU.
- C. Unitrac is not responsible for defects or malfunctions in and/or damage to Lighting Systems where a sale is specifically made without warranty. In such sales the disclaimers of warranty and liability, set forth above, shall continue to apply.
- D. This warranty covers normal consumer use and does not cover damage which occurs in shipment or failure which results from alteration, accident, theft, misuse, abuse, abnormal use, negligent installation, improper maintenance or where adequate care has not been taken to prevent damage to the Lighting System.
- E. **THIS WARRANTY GIVES YOU SPECIFIC LEGAL RIGHTS AND YOU MAY ALSO HAVE OTHER RIGHTS, WHICH VARY FROM STATE TO STATE.**

If you discover a defect or malfunction during the period to which the Warranty applies, write or phone Unitrac for information on receiving warranty service.

### Address follows:

Unitrac Energy Management Company  
IlluminFx Division  
3161 Union St.  
North Chili, NY 14514-1128  
Phone: 585-594-1200  
Fax: 585-594-5178  
E-Mail: [info@illuminfx.com](mailto:info@illuminfx.com)