

SAMPLE WIRING DIAGRAMS

LS200 LEVEL SELECT

Installation Guide

BEFORE YOU BEGIN, READ INSTALLATION INSTRUCTIONS THOROUGHLY

- Install in accordance with the National Electric Code and local regulations
- All IFX products are intended to be installed and serviced by a qualified, licensed electrician.
- **MAKE SURE** you check voltages before powering on any products. EX: DO NOT connect low voltage lighting products to 120V lines.
- Choose the right wire gauge size to maintain correct voltage throughout the whole system.
- Make sure to check polarity (+,-) is correct.
- Ensure all connections are water tight and protected from the elements.
- Both outer and inner jackets of wiring must be water tight so water CANNOT wick back up through the system.
- Make sure you are not exceeding wattage limits (see specific product spec. sheets for more information)
- Waterproof all components of the system that require additional protection. See specific product sheets for more information.

Example 1 - 12VDC

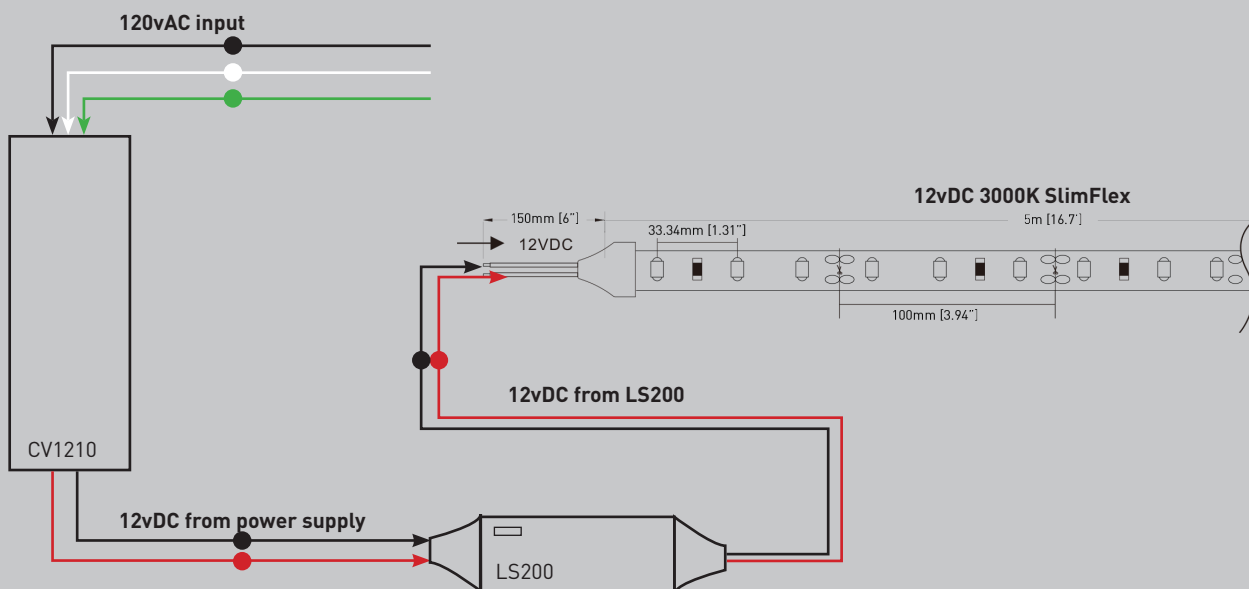
12VDC (ELECTRONIC POWER SUPPLY) > LS200 > SINGLE COLOR 12VDC LIGHTING FIXTURE

PART NUMBERS USED:

CV1210 - 100W low voltage 12Vdc power supply

LS200 - Level Select RF remote dimmer controller

SFT35 - 3000K Warm White LED SlimFlex tape light



Example 2 - 12VAC

12VAC (LOW VOLTAGE TRANSFORMER) > AC-DC CONVERTOR > LS200 > SINGLE COLOR 12VDC LIGHTING FIXTURE

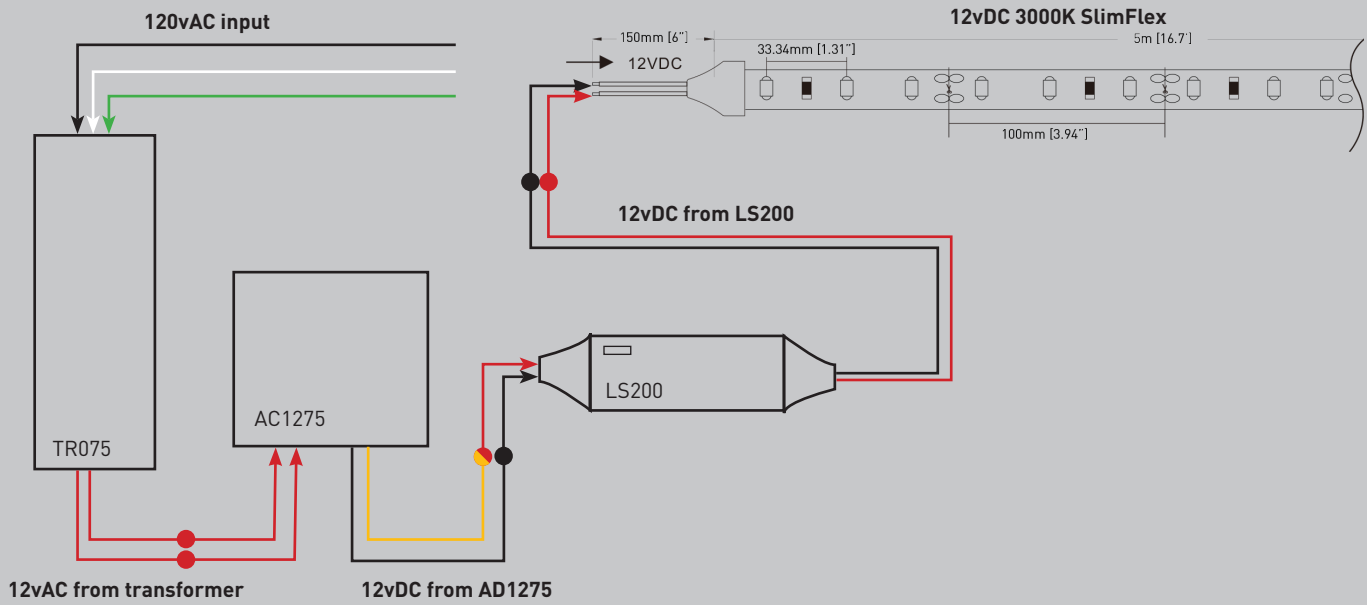
PART NUMBERS USED:

TR075- 75W low voltage 12Vac transformer

AD1275 - 75W AC to DC convertor

LS200 - Level Select RF remote dimmer controller

SFT35 - 3000K Warm White LED SlimFlex tape light



SAMPLE WIRING DIAGRAMS

CS200 COLOR SELECT

Installation Guide

BEFORE YOU BEGIN, READ INSTALLATION INSTRUCTIONS THOROUGHLY

- Install in accordance with the National Electric Code and local regulations
- All IFX products are intended to be installed and serviced by a qualified, licensed electrician.
- MAKE SURE you check voltages before powering on any products. EX: DO NOT connect low voltage lighting products to 120V lines.
- Choose the right wire gauge size to maintain correct voltage throughout the whole system.
- Make sure to check polarity (+,-) is correct. As well as R,G,B,V+ connections are correct.
- Ensure all connections are water tight and protected from the elements.
- Both outer and inner jackets of wiring must be water tight so water CANNOT wick back up through the system.
- Make sure you are not exceeding wattage limits (see specific product spec. sheets for more information)
- Waterproof all components of the system that require additional protection. See specific product sheets for more information.

Example 1 - 12VDC

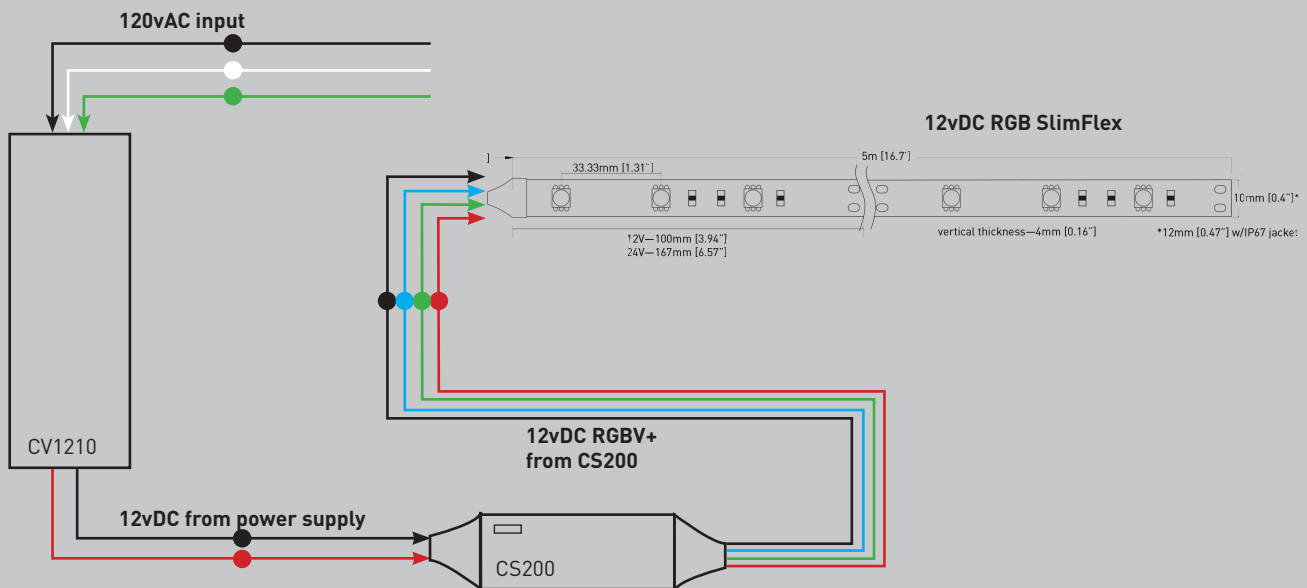
12VDC (ELECTRONIC POWER SUPPLY) > CS200 >RGB 12VDC LIGHTING FIXTURE

PART NUMBERS USED:

CV1210 - 100W low voltage 12Vdc power supply

CS200 - Color Select RF remote RGB controller

SFT50 - 12VDC RGB Color Changing LED SlimFlex tape light



Example 2 - 24VDC

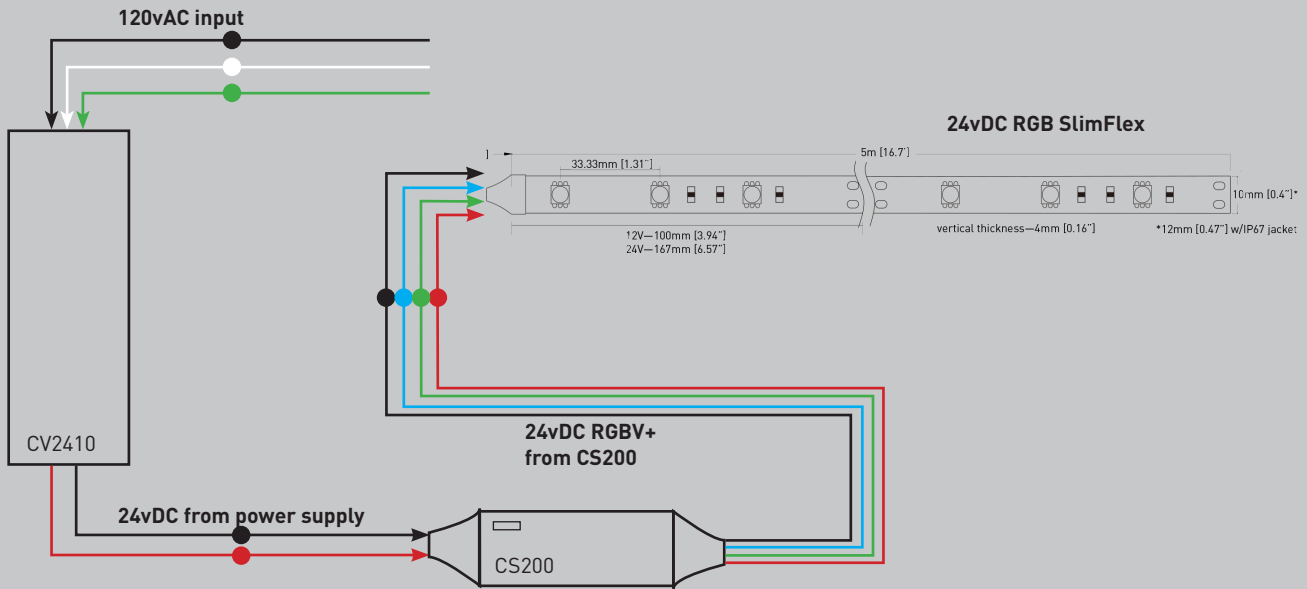
24VDC (ELECTRONIC POWER SUPPLY) > LS200 > RGB 24VDC LIGHTING FIXTURE

PART NUMBERS USED:

CV2410 - 100W low voltage 24Vdc power supply

CS200 - Color Select RF remote RGB controller

SFT50 - 24VDC RGB Color Changing LED SlimFlex tape light



Example 3 - 12VAC

12VAC (LOW VOLTAGE TRANSFORMER) > AC-DC CONVERTOR > CS200 > RGB 12VDC LIGHTING FIXTURE

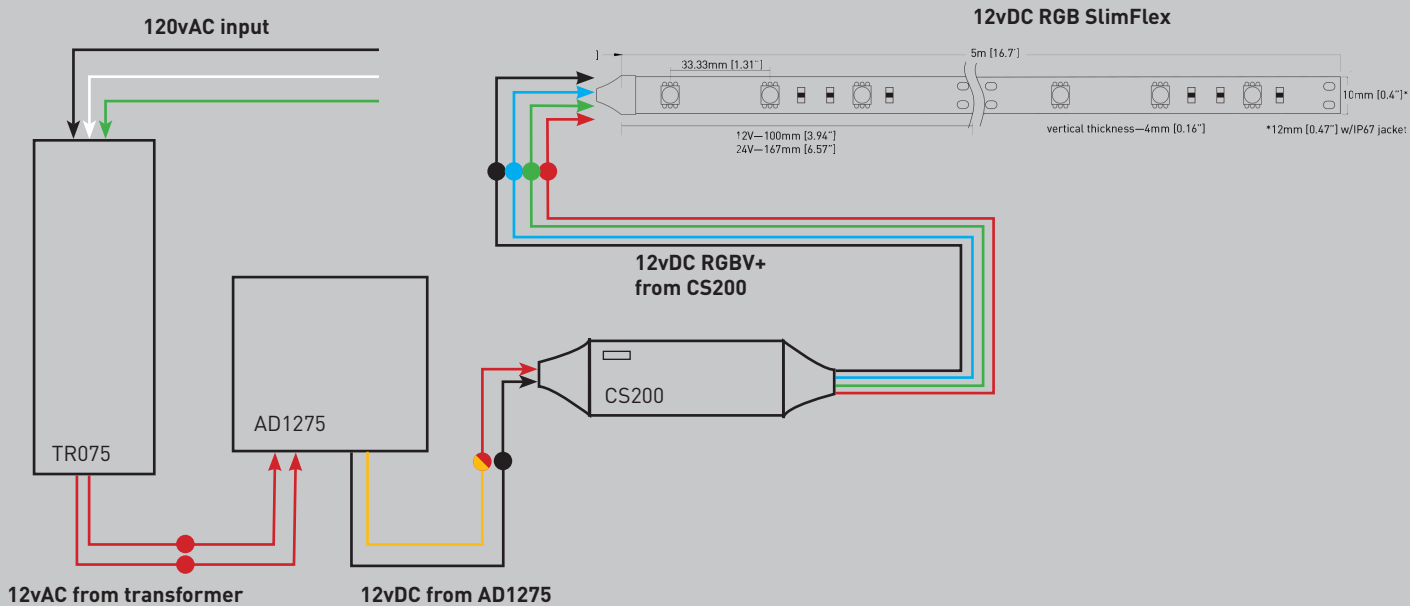
PART NUMBERS USED:

TR075- 75W low voltage 12Vac transformer

AD1275 - 75W AC to DC convertor

CS200 - Color Select RF remote RGB controller

SFT50 - 12VDC RGB Color Changing LED SlimFlex tape light



SAMPLE WIRING DIAGRAMS

PA201 LEVEL SELECT

Installation Guide

BEFORE YOU BEGIN, READ INSTALLATION INSTRUCTIONS THOROUGHLY

- Install in accordance with the National Electric Code and local regulations
- All IFX products are intended to be installed and serviced by a qualified, licensed electrician.
- MAKE SURE you check voltages before powering on any products. EX: DO NOT connect low voltage lighting products to 120V lines.
- Choose the right wire gauge size to maintain correct voltage throughout the whole system.
- Make sure to check polarity (+,-) is correct.
- Ensure all connections are water tight and protected from the elements.
- Both outer and inner jackets of wiring must be water tight so water CANNOT wick back up through the system.
- Make sure you are not exceeding wattage limits (see specific product spec. sheets for more information)
- Waterproof all components of the system that require additional protection. See specific product sheets for more information.

Example 1 -12VDC in Parallel

12VDC (ELECTRONIC POWER SUPPLY) > LS200 > SINGLE COLOR 12VDC LIGHTING FIXTURE > PA201 > SINGLE COLOR 12VDC LIGHTING FIXTURE > 12VDC (ELECTRONIC POWER SUPPLY) >

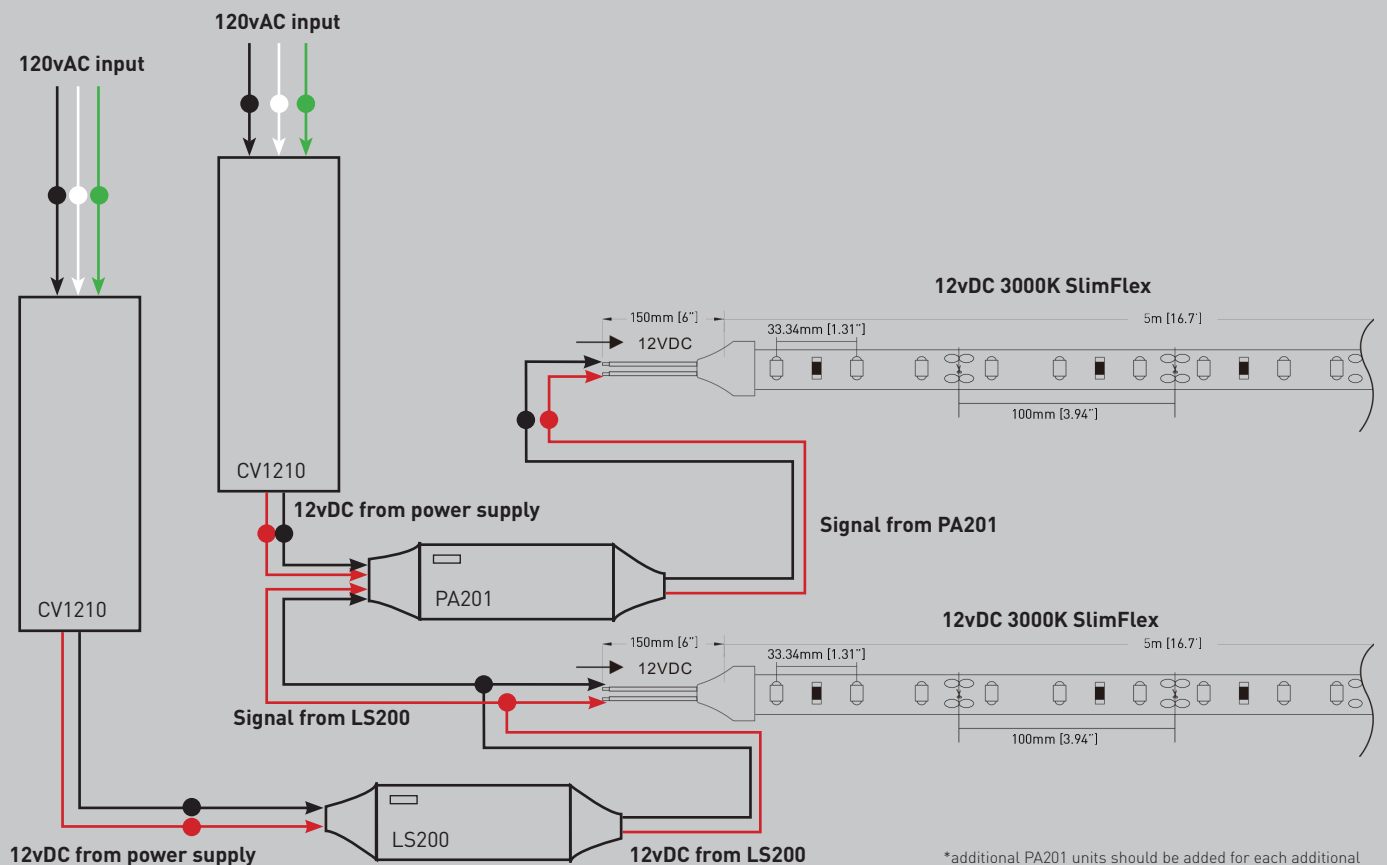
PART NUMBERS USED:

CV1210 - 100W low voltage 12Vdc power supply

LS200 - Level Select RF remote Single Color controller

SFT35 - 12VDC Single Color LED SlimFlex tape light

PA201 - Single Color Signal Amplifier



*additional PA201 units should be added for each additional power supply/transformer used

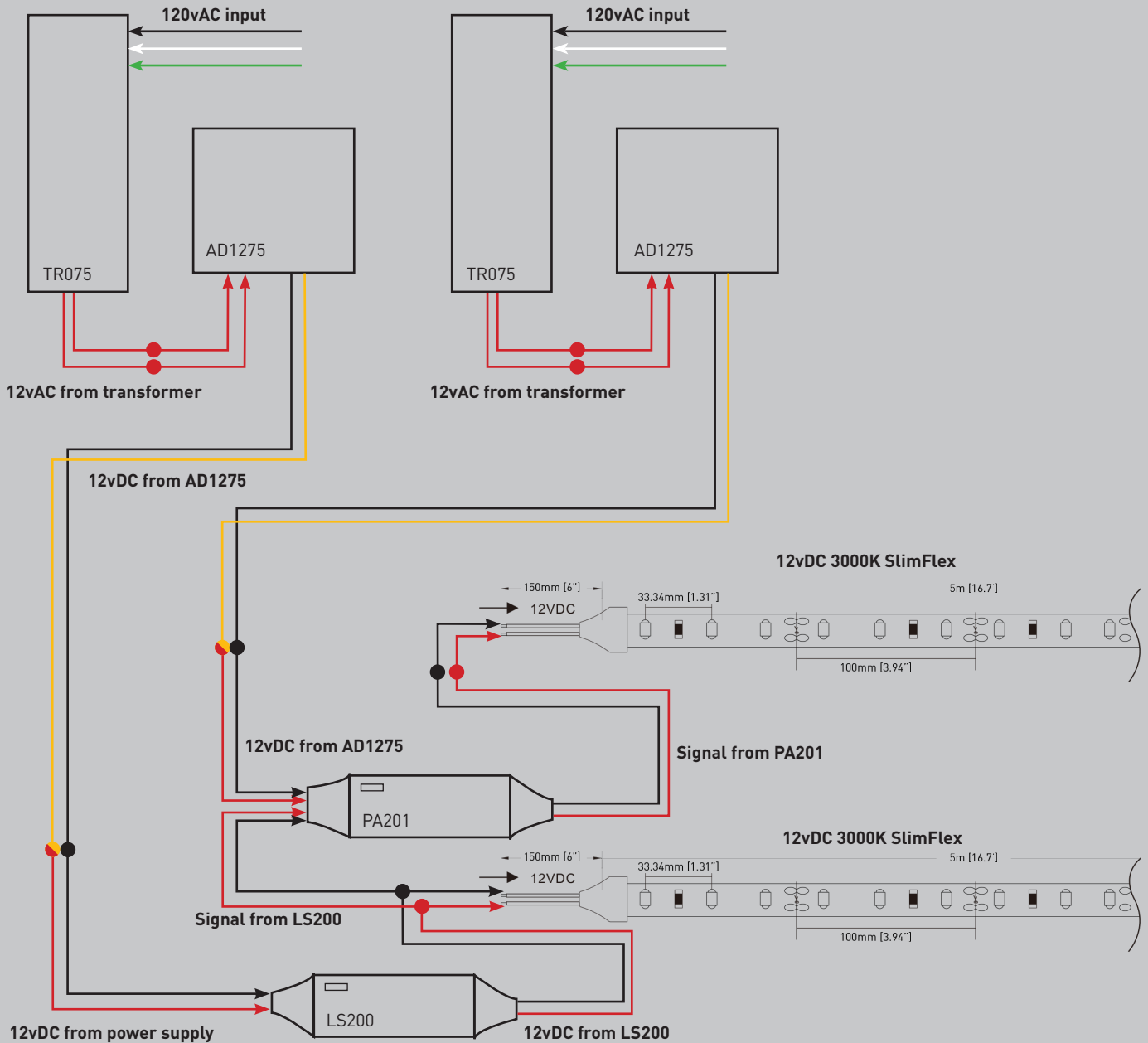
Example 2 - 12VAC in Parallel

12VAC (LOW VOLTAGE TRANSFORMER) > AC-DC CONVERTOR > LS200 > SINGLE COLOR 12VDC LIGHTING FIXTURE > PA201 > SINGLE COLOR 12VDC LIGHTING FIXTURE
 12VAC (LOW VOLTAGE TRANSFORMER) > AC-DC CONVERTOR >

PART NUMBERS USED:

TR075 - 75W low voltage 12Vac transformer
LS200 - Level Select RF remote Single Color controller
SFT35 - 12VDC Single Color LED SlimFlex tape light

PA201 - Single Color Signal Amplifier
AD1275 - 75W AC to DC converter



*additional PA201 units should be added for each additional power supply/transformer used

Example 3 - 12VDC in Series

12VDC (ELECTRONIC POWER SUPPLY) > LS200 > SINGLE COLOR 12VDC LIGHTING FIXTURE > PA201 > SINGLE COLOR 12VDC LIGHTING FIXTURE > 12VDC (ELECTRONIC POWER SUPPLY) >

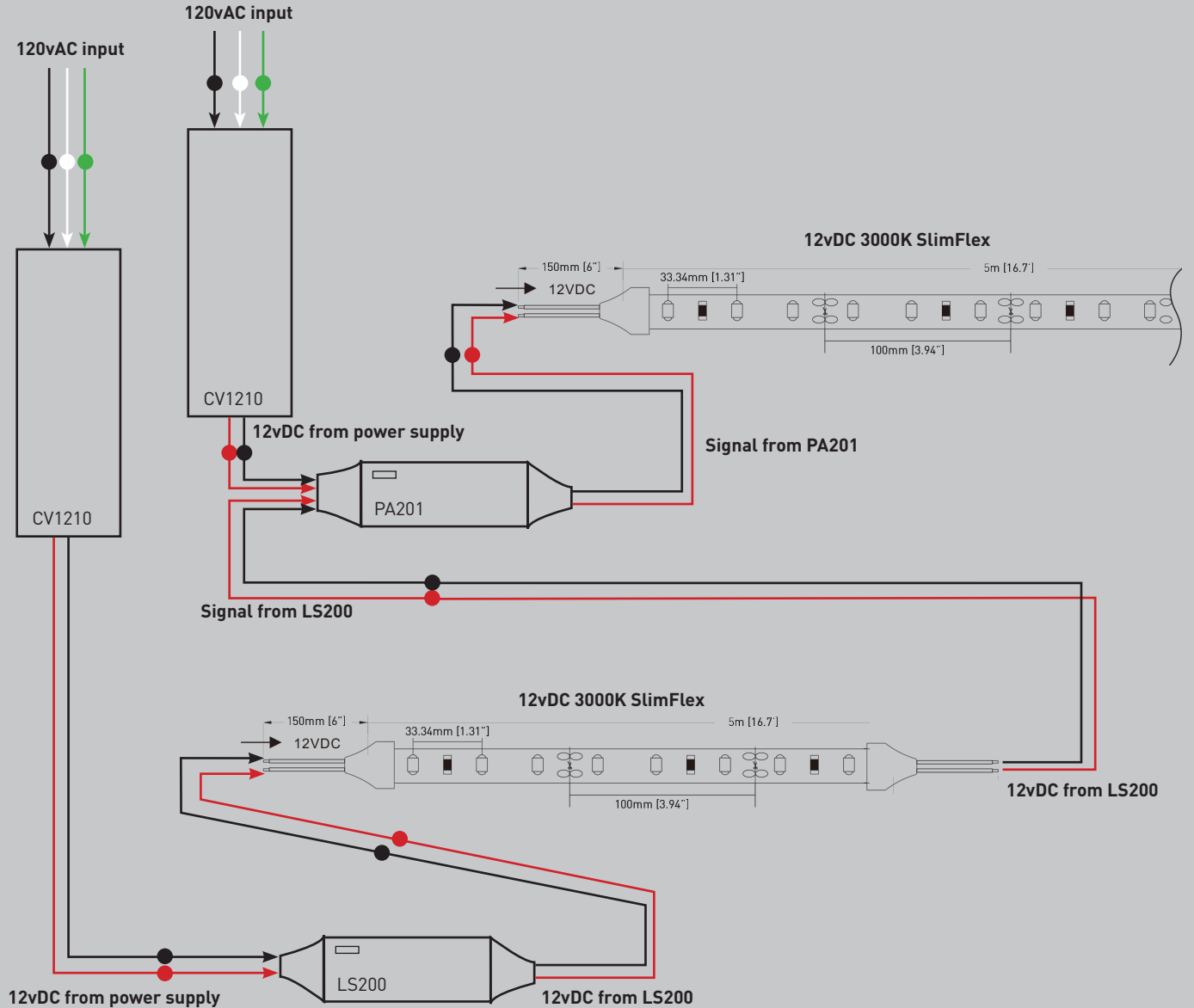
PART NUMBERS USED:

CV1210 - 100W low voltage 12Vdc power supply

LS200 - Level Select RF remote Single Color controller

SFT35 - 12VDC Single Color LED SlimFlex tape light

PA201 - Single Color Signal Amplifier



*additional PA201 units should be added for each additional power supply/transformer used

*12VAC transformers can also be used in this method. Make sure to use AD12 AC to DC converters

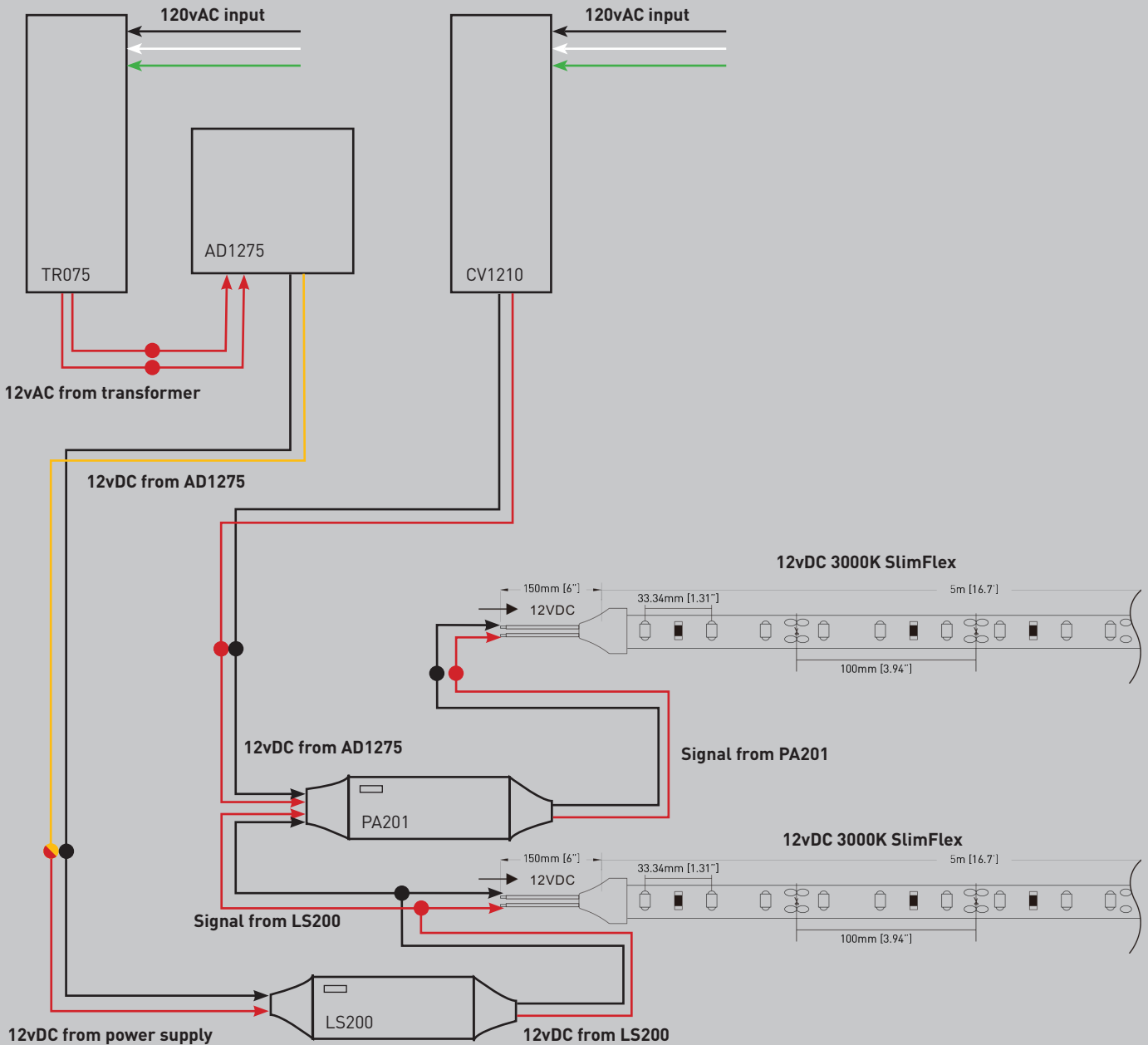
Example 4 - 12VAC & 12VDC in Parallel

12VAC (LOW VOLTAGE TRANSFORMER) > AC-DC CONVERTOR > LS200 > SINGLE COLOR 12VDC LIGHTING FIXTURE > PA201 > SINGLE COLOR 12VDC LIGHTING FIXTURE
 12VAC (LOW VOLTAGE TRANSFORMER) > AC-DC CONVERTOR >

PART NUMBERS USED:

TR075 - 75W low voltage 12Vac transformer
LS200 - Level Select RF remote Single Color controller
SFT35 - 12VDC Single Color LED SlimFlex tape light

PA201 - Single Color Signal Amplifier
AD1275 - 75W AC to DC convertor
CV1210 - 100W low voltage 12Vdc power supply



*additional PA201 units should be added for each additional power supply/transformer used

SAMPLE WIRING DIAGRAMS

PA203 COLOR SELECT

Installation Guide

BEFORE YOU BEGIN, READ INSTALLATION INSTRUCTIONS THOROUGHLY

- Install in accordance with the National Electric Code and local regulations
- All IFX products are intended to be installed and serviced by a qualified, licensed electrician.
- MAKE SURE you check voltages before powering on any products. EX: DO NOT connect low voltage lighting products to 120V lines.
- Choose the right wire gauge size to maintain correct voltage throughout the whole system.
- Make sure to check polarity (+,-) is correct. As well as R,G,B,V+ connections are correct.
- Ensure all connections are water tight and protected from the elements.
- Both outer and inner jackets of wiring must be water tight so water CANNOT wick back up through the system.
- Make sure you are not exceeding wattage limits (see specific product spec. sheets for more information)
- Waterproof all components of the system that require additional protection. See specific product sheets for more information.

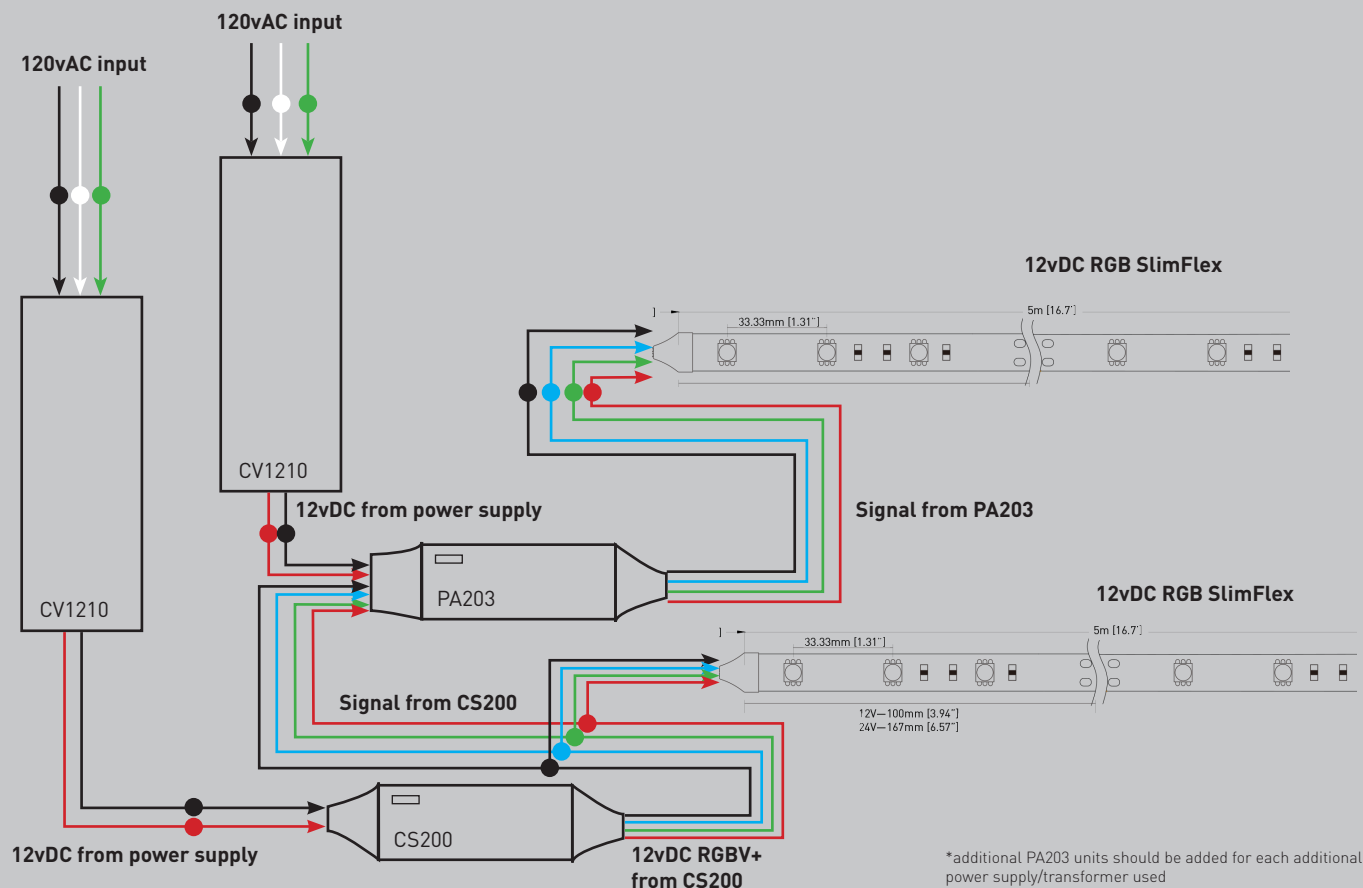
Example 1 -12VDC in Parallel

12VDC (ELECTRONIC POWER SUPPLY) > CS200 > RGB 12VDC LIGHTING FIXTURE > PA203 > RGB 12VDC LIGHTING FIXTURE > 12VDC (ELECTRONIC POWER SUPPLY) >

PART NUMBERS USED:

CV1210 - 100W low voltage 12Vdc power supply
 CS200 - Color Select RF remote RGB controller
 SFT50 - 12VDC RGB LED SlimFlex tape light

PA203 - RGB Signal Amplifier



*additional PA203 units should be added for each additional power supply/transformer used

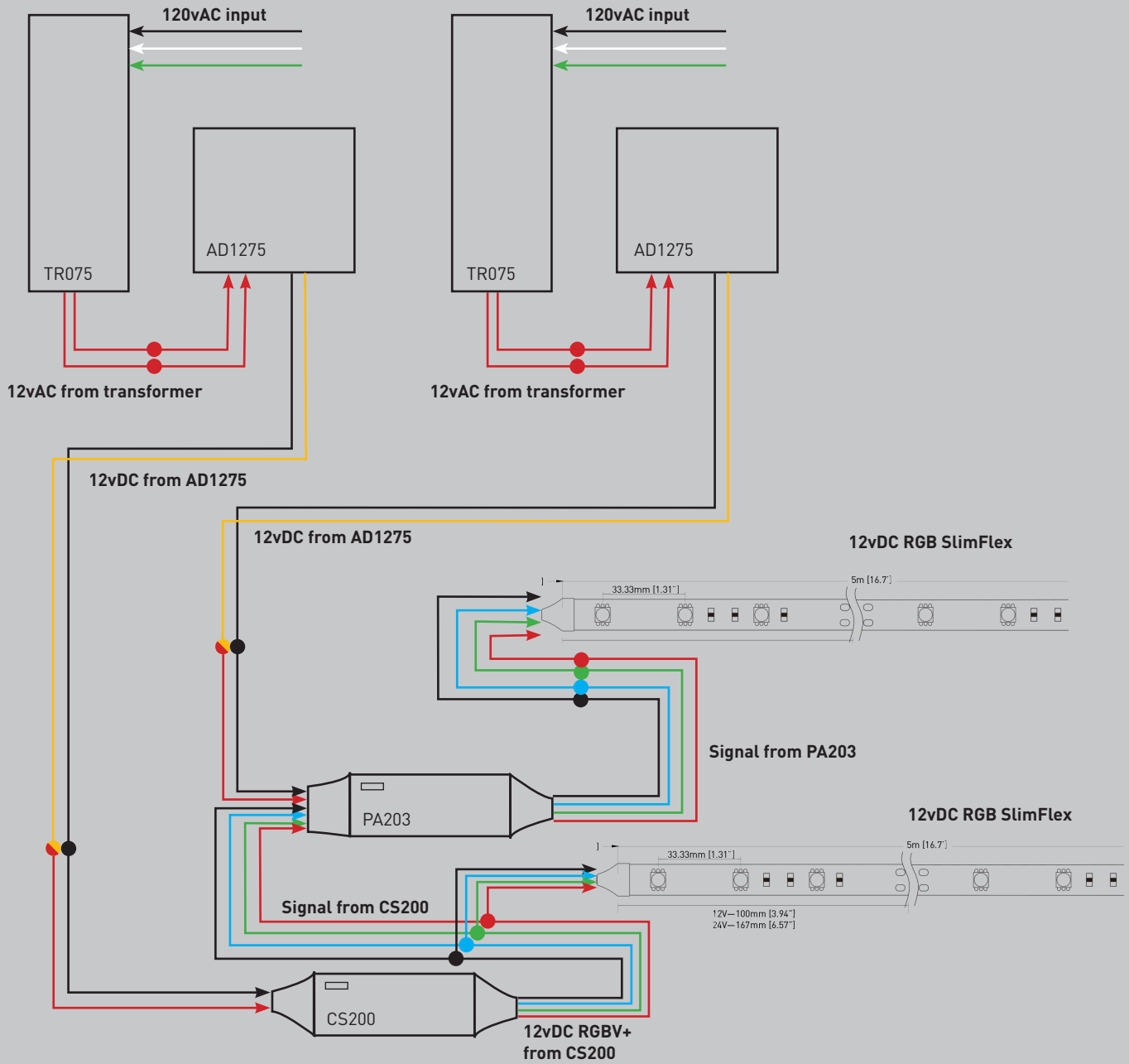
Example 2 - 12VAC in Parallel

12VAC (LOW VOLTAGE TRANSFORMER) > AC-DC CONVERTOR > CS200 > RGB 12VDC LIGHTING FIXTURE > PA203 > RGB 12VDC LIGHTING FIXTURE
 12VAC (LOW VOLTAGE TRANSFORMER) > AC-DC CONVERTOR >

PART NUMBERS USED:

TR075 - 75W low voltage 12Vac transformer
CS200 - Color Select RF remote RGB controller
SFT50 - 12VDC RGB LED SlimFlex tape light

PA203 - RGB Signal Amplifier
AD1275 - 75W AC to DC converter



*additional PA203 units should be added for each additional power supply/transformer used

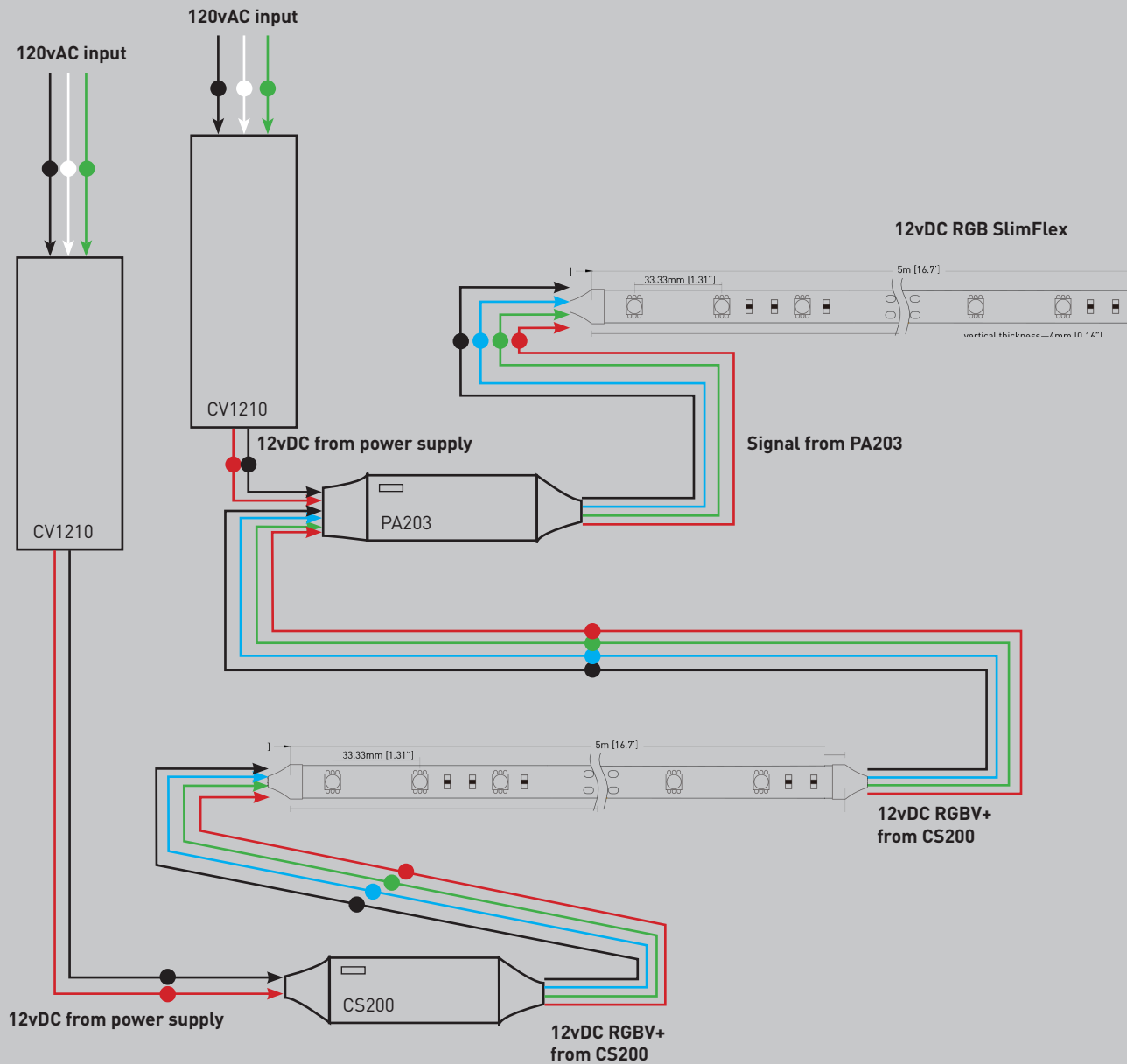
Example 3 - 12VDC in Series

12VDC (ELECTRONIC POWER SUPPLY) > CS200 > RGB 12VDC LIGHTING FIXTURE > PA203 > RGB 12VDC LIGHTING FIXTURE > 12VDC (ELECTRONIC POWER SUPPLY) >

PART NUMBERS USED:

CV1210 - 100W low voltage 12Vdc power supply
CS200 - Color Select RF remote RGB controller
SFT50 - 12VDC RGB LED SlimFlex tape light

PA203 - RGB Signal Amplifier



*additional PA203 units should be added for each additional power supply/transformer used

*12VAC transformers can also be used in this method. Make sure to use AD12 AC to DC converters

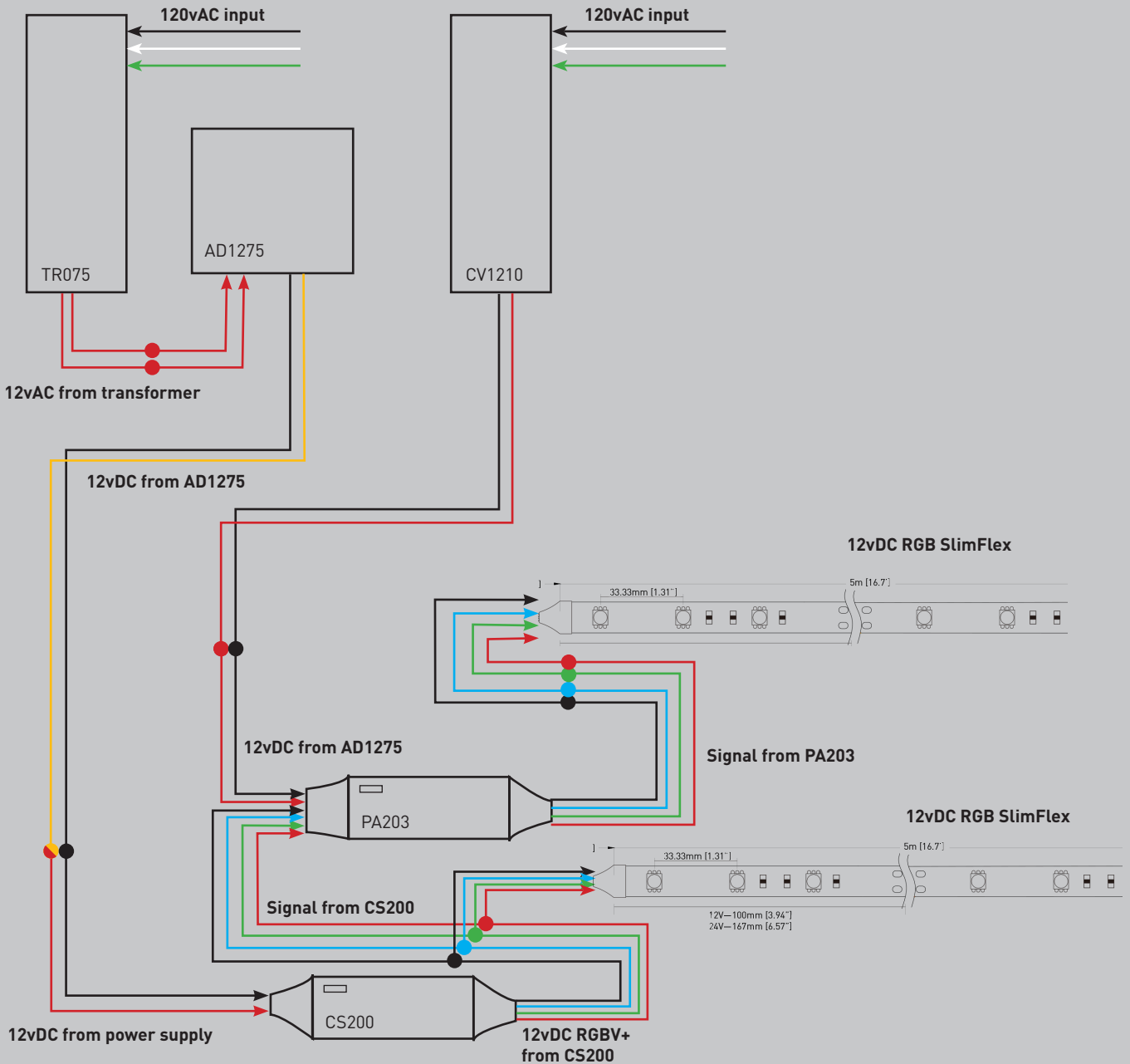
Example 4 -12VAC & 12VDC in Parallel

12VAC (LOW VOLTAGE TRANSFORMER) > AC-DC CONVERTOR > CS200 > RGB 12VDC LIGHTING FIXTURE > PA203 > RGB 12VDC LIGHTING FIXTURE > 12VDC (ELECTRONIC POWER SUPPLY) >

PART NUMBERS USED:

TR075 - 75W low voltage 12Vac transformer
CS200 - Color Select RF remote RGB controller
SFT50 - 12VDC RGB LED SlimFlex tape light

PA203 - RGB Signal Amplifier
AD1275 - 75W AC to DC convertor
CV1210 - 100W low voltage 12Vdc power supply



*additional PA203 units should be added for each additional power supply/transformer used

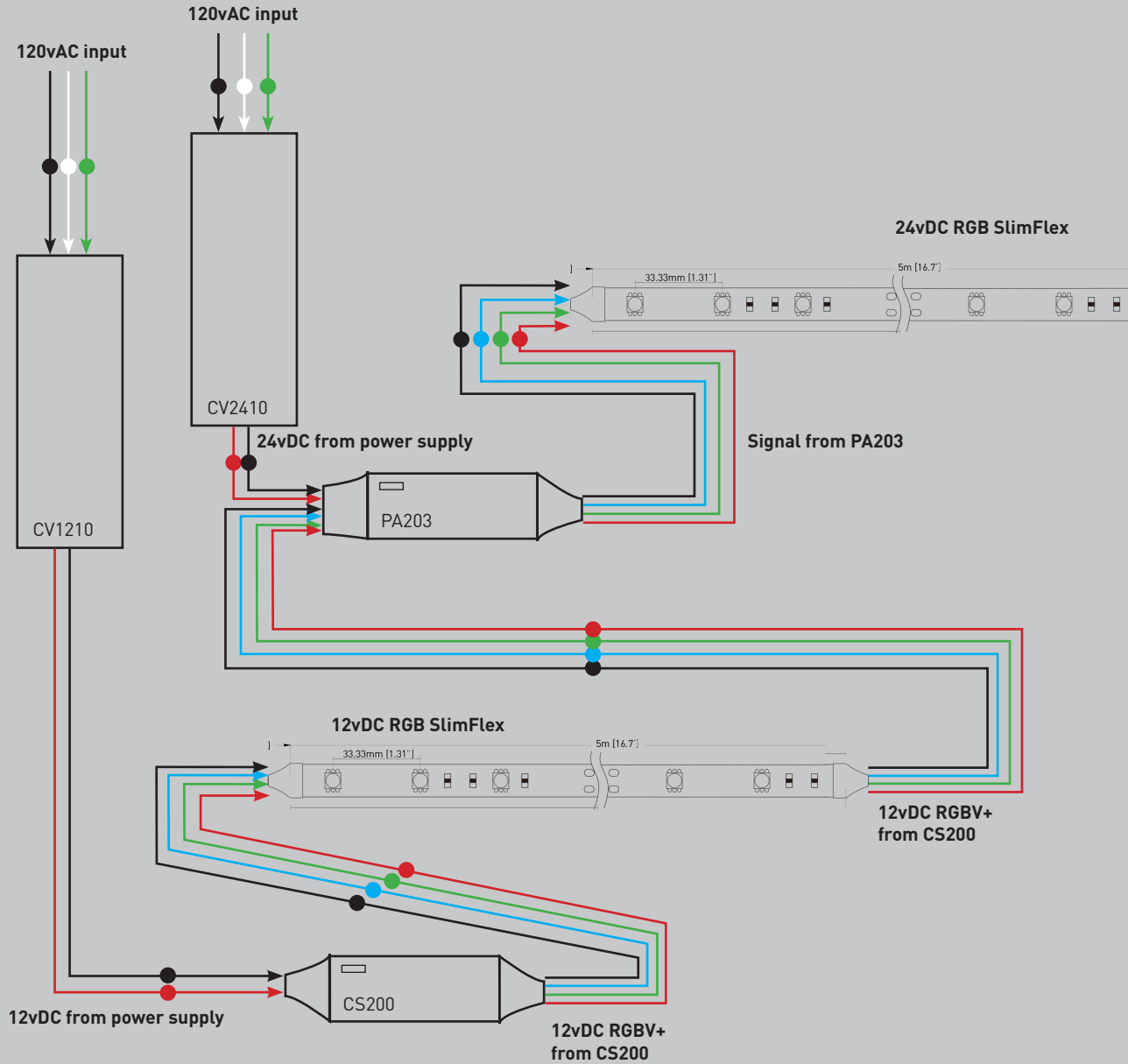
Example 5 -12VDC & 24VDC Series

12VDC (ELECTRONIC POWER SUPPLY) > CS200 > RGB 12VDC LIGHTING FIXTURE > PA203 > RGB 12VDC LIGHTING FIXTURE
24VDC (ELECTRONIC POWER SUPPLY) >

PART NUMBERS USED:

CV1210 - 100W low voltage 12Vdc power supply
CV2410 - 100W low voltage 24Vdc power supply
CS200 - Color Select RF remote RGB controller

SFT50 - 12VDC RGB LED SlimFlex tape light
SFT50 - 24VDC RGB LED SlimFlex tape light
PA203 - RGB Signal Amplifier



*additional PA203 units should be added for each additional power supply/transformer used

*12VAC transformers can also be used in this method. Make sure to use AD12 AC to DC convertors

SAMPLE WIRING DIAGRAMS

WIFI104 COLOR SELECT PLUS

Installation Guide

BEFORE YOU BEGIN, READ INSTALLATION INSTRUCTIONS THOROUGHLY

- Install in accordance with the National Electric Code and local regulations
- All IFX products are intended to be installed and serviced by a qualified, licensed electrician.
- MAKE SURE you check voltages before powering on any products. EX: DO NOT connect low voltage lighting products to 120V lines.
- Choose the right wire gauge size to maintain correct voltage throughout the whole system.
- Make sure to check polarity (+,-) is correct. As well as R,G,B,V+ connections are correct.
- Ensure all connections are water tight and protected from the elements.
- Both outer and inner jackets of wiring must be water tight so water CANNOT wick back up through the system.
- Make sure you are not exceeding wattage limits (see specific product spec. sheets for more information)
- Waterproof all components of the system that require additional protection. See specific product sheets for more information.

Example 1 - 12VDC

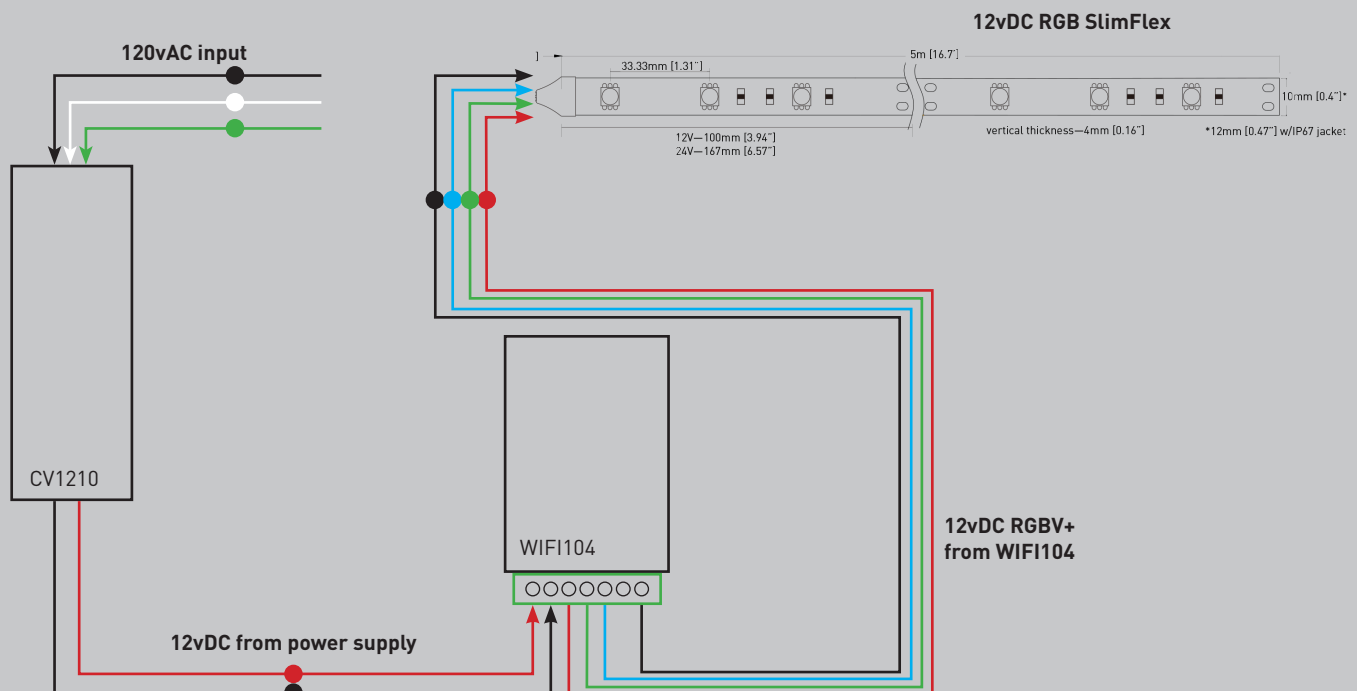
12VDC (ELECTRONIC POWER SUPPLY) > WIFI104 > RGB 12VDC LIGHTING FIXTURE

PART NUMBERS USED:

CV1210 - 100W low voltage 12Vdc power supply

WIFI104 - Color Select PLUS WIFI104 RGB controller

SFT50 - 12VDC RGB Color Changing LED SlimFlex tape light



Example 2 - 24VDC

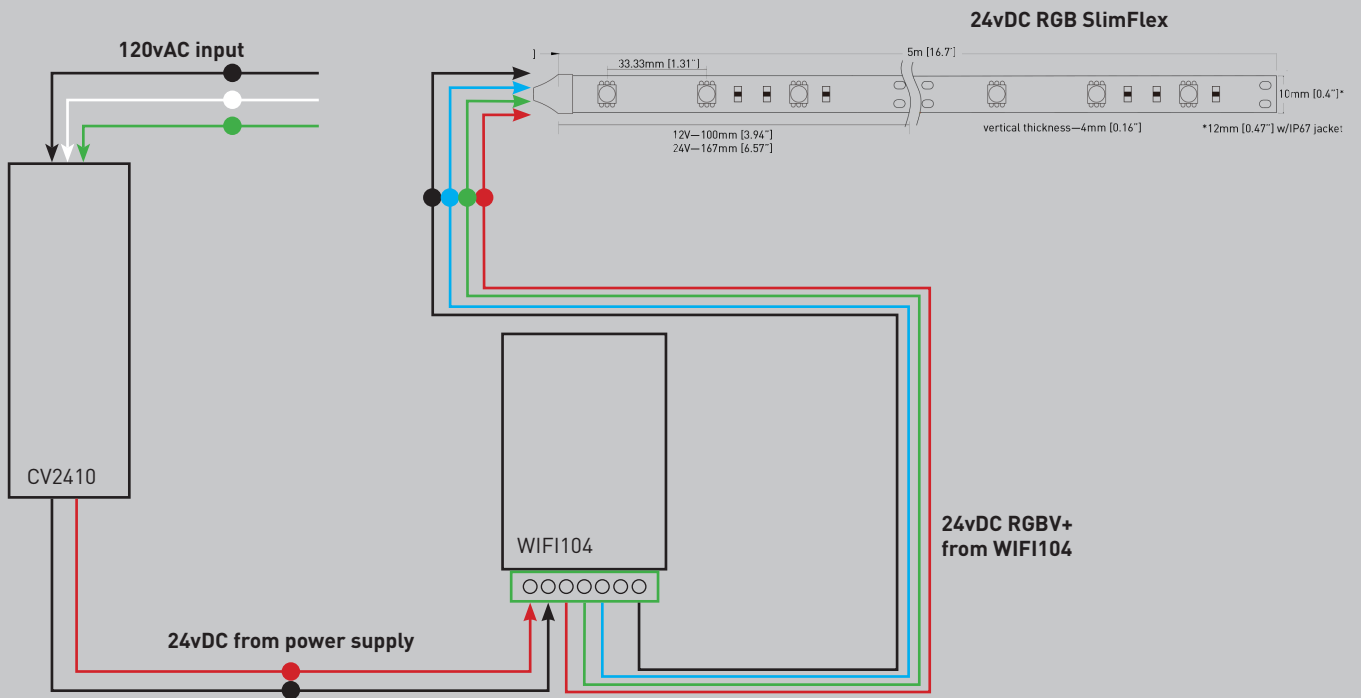
24VDC (ELECTRONIC POWER SUPPLY) > WIFI104 > RGB 24VDC LIGHTING FIXTURE

PART NUMBERS USED:

CV2410 - 100W low voltage 24Vdc power supply

WIFI104 - Color Select PLUS WIFI 104 RGB controller

SFT50 - 24VDC RGB Color Changing LED SlimFlex tape light



Example 3 - 12VAC

12VAC (LOW VOLTAGE TRANSFORMER) > AC-DC CONVERTOR > WIFI104 > RGB 12VDC LIGHTING FIXTURE

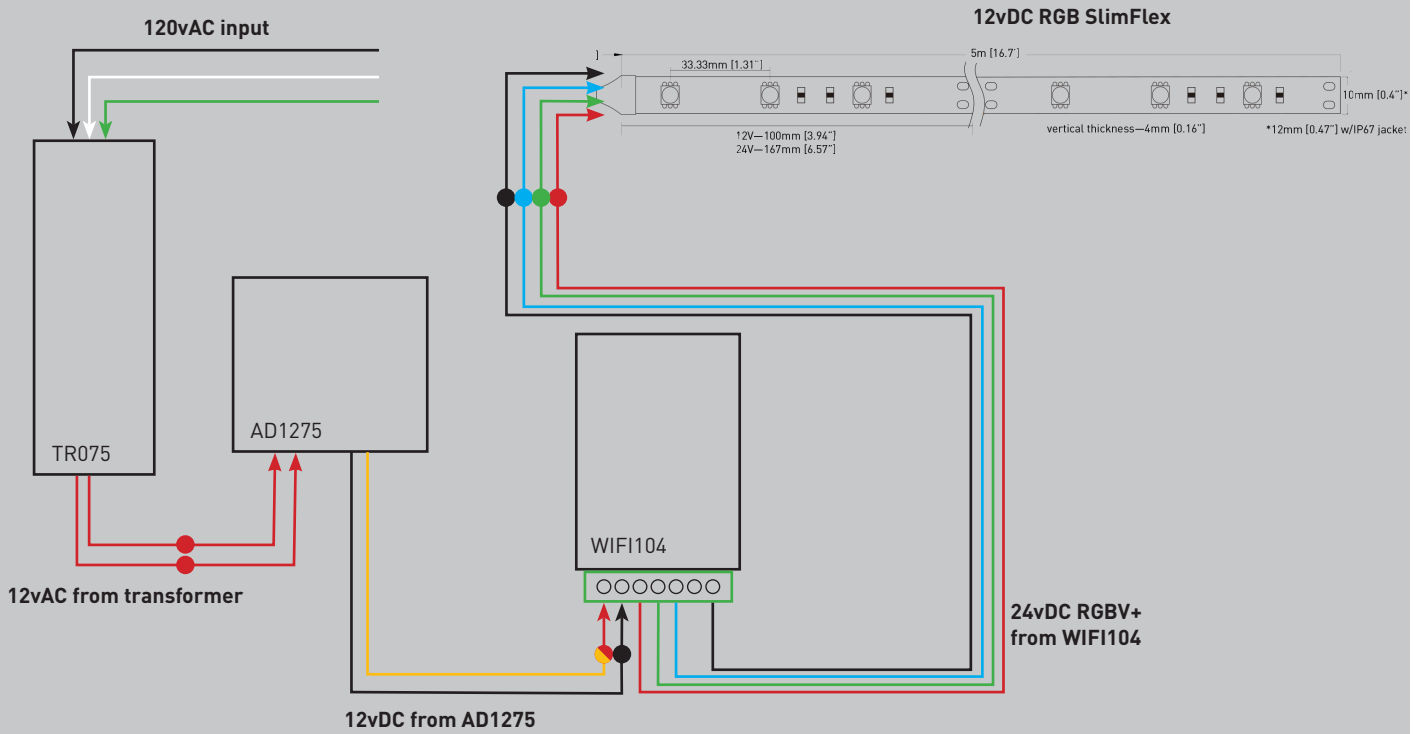
PART NUMBERS USED:

TR075- 75W low voltage 12Vac transformer

AD1275 - 75W AC to DC convertor

WIFI104 - Color Select PLUS WIFI104 RGB controller

SFT50 - 12VDC RGB Color Changing LED SlimFlex tape light



Example 4 - 12VDC as Dimmer Controller

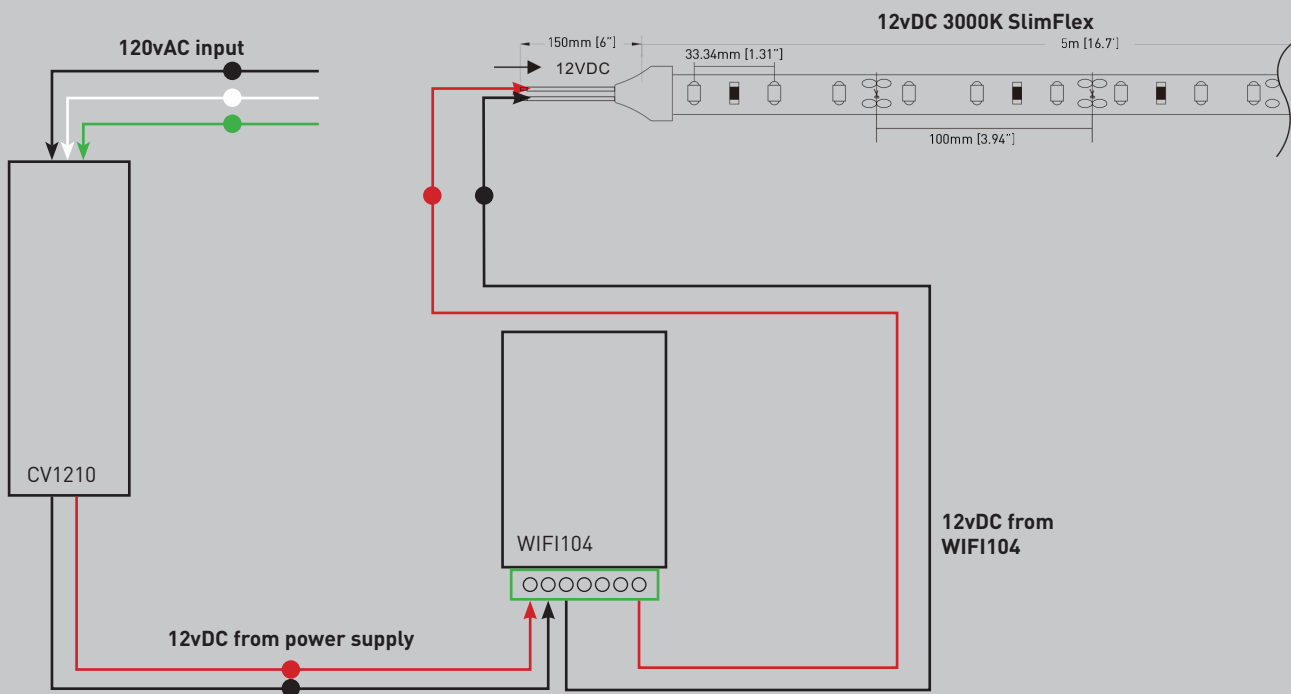
12VDC (ELECTRONIC POWER SUPPLY) > WIFI104 > SINGLE COLOR 12VDC LIGHTING FIXTURE

PART NUMBERS USED:

CV1210 - 100W low voltage 24Vdc power supply

WIFI104 - Color Select PLUS WIFI 104 RGB controller

SFT35 - 12VDC Single Color LED SlimFlex tape light



Example 5 - 12VAC as Dimmer Control

12VAC (LOW VOLTAGE TRANSFORMER) > AC-DC CONVERTOR > WIFI104 > SINGLE COLOR 12VDC LIGHTING FIXTURE

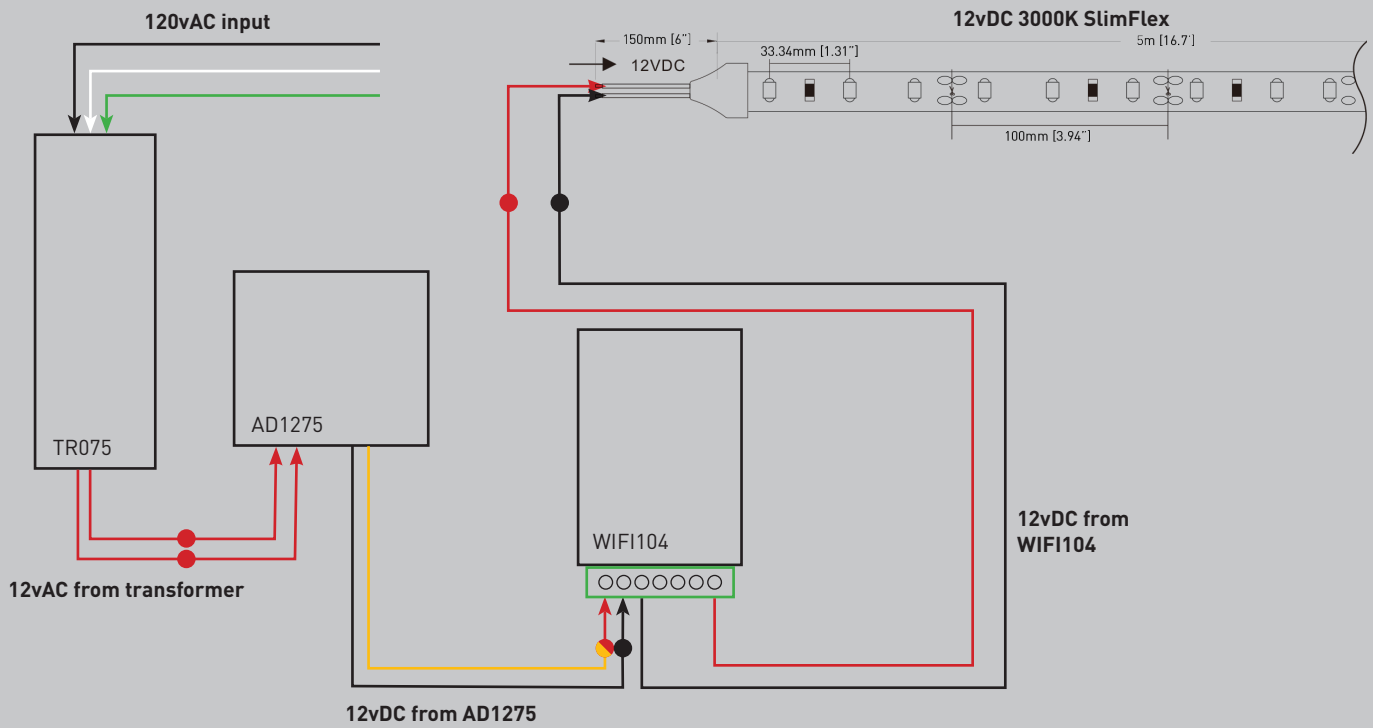
PART NUMBERS USED:

TR075- 75W low voltage 12Vac transformer

AD1275 - 75W AC to DC convertor

WIFI104 - Color Select PLUS WIFI104 RGB controller

SFT35 - 12VDC Single Color LED SlimFlex tape light



SAMPLE WIRING DIAGRAMS

CSP-R45ACV COLOR SELECT PLUS

Installation Guide

BEFORE YOU BEGIN, READ INSTALLATION INSTRUCTIONS THOROUGHLY

- Install in accordance with the National Electric Code and local regulations
- All IFX products are intended to be installed and serviced by a qualified, licensed electrician.
- MAKE SURE you check voltages before powering on any products. EX: DO NOT connect low voltage lighting products to 120V lines.
- Choose the right wire gauge size to maintain correct voltage throughout the whole system.
- Make sure to check polarity (+,-) is correct. As well as R,G,B,V+ connections are correct.
- Ensure all connections are water tight and protected from the elements.
- Both outer and inner jackets of wiring must be water tight so water CANNOT wick back up through the system.
- Make sure you are not exceeding wattage limits (see specific product spec. sheets for more information)
- Waterproof all components of the system that require additional protection. See specific product sheets for more information.

Example 1 - 12VDC

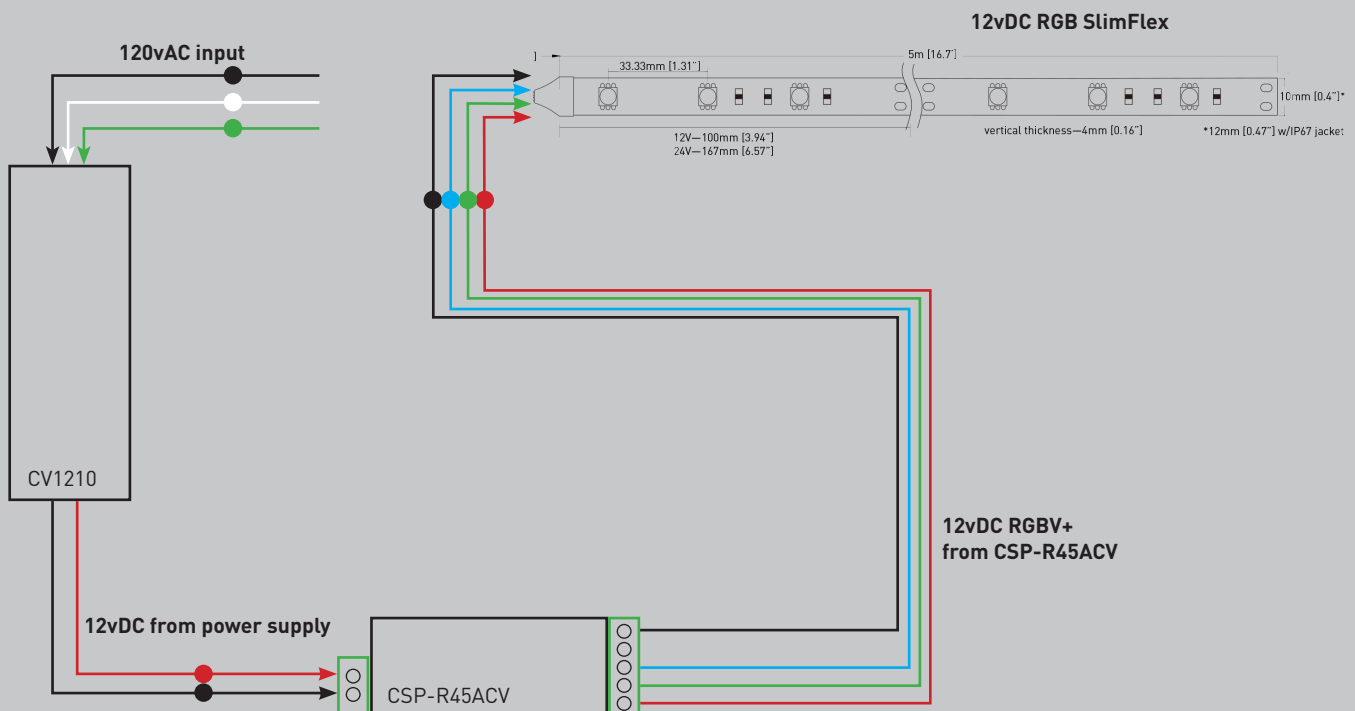
12VDC (ELECTRONIC POWER SUPPLY) > CSP-R45ACV > RGB 12VDC LIGHTING FIXTURE

PART NUMBERS USED:

CV1210 - 100W low voltage 12Vdc power supply

CSP-R45ACV - Color Select PLUS WIFI Zone Control RGB controller

SFT50 - 12VDC RGB Color Changing LED SlimFlex tape light



Example 2 - 24VDC

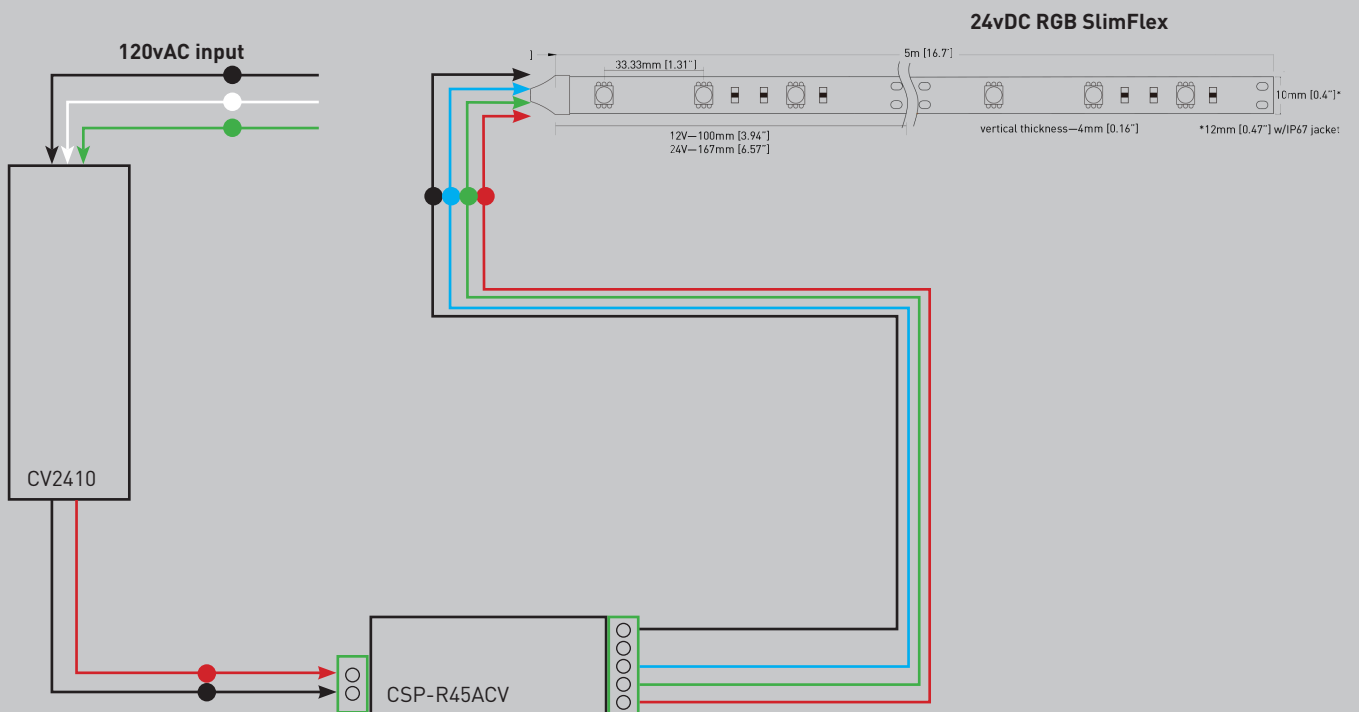
24VDC (ELECTRONIC POWER SUPPLY) > CSP-R45ACV > RGB 24VDC LIGHTING FIXTURE

PART NUMBERS USED:

CV2410 - 100W low voltage 24Vdc power supply

CSP-R45ACV - Color Select PLUS WIFI Zone Control RGB controller

SFT50 - 24VDC RGB Color Changing LED SlimFlex tape light



Example 3 - 12VAC

12VAC (LOW VOLTAGE TRANSFORMER) > AC-DC CONVERTOR > CSP-R45ACV > RGB 12VDC LIGHTING FIXTURE

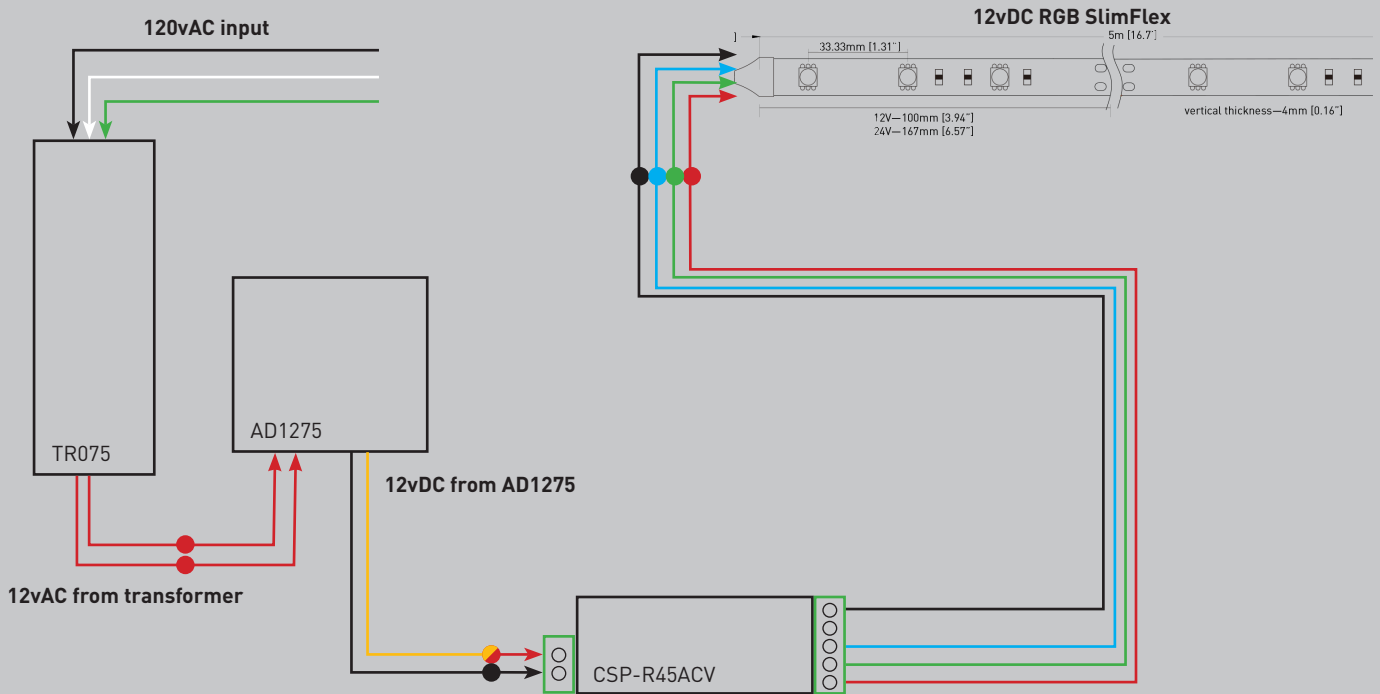
PART NUMBERS USED:

TR075- 75W low voltage 12Vac transformer

AD1275 - 75W AC to DC convertor

CSP-R45ACV - Color Select PLUS WIFI Zone Control RGB controller

SFT50 - 12VDC RGB Color Changing LED SlimFlex tape light



Example 4 - 12VDC as Dimmer Controller

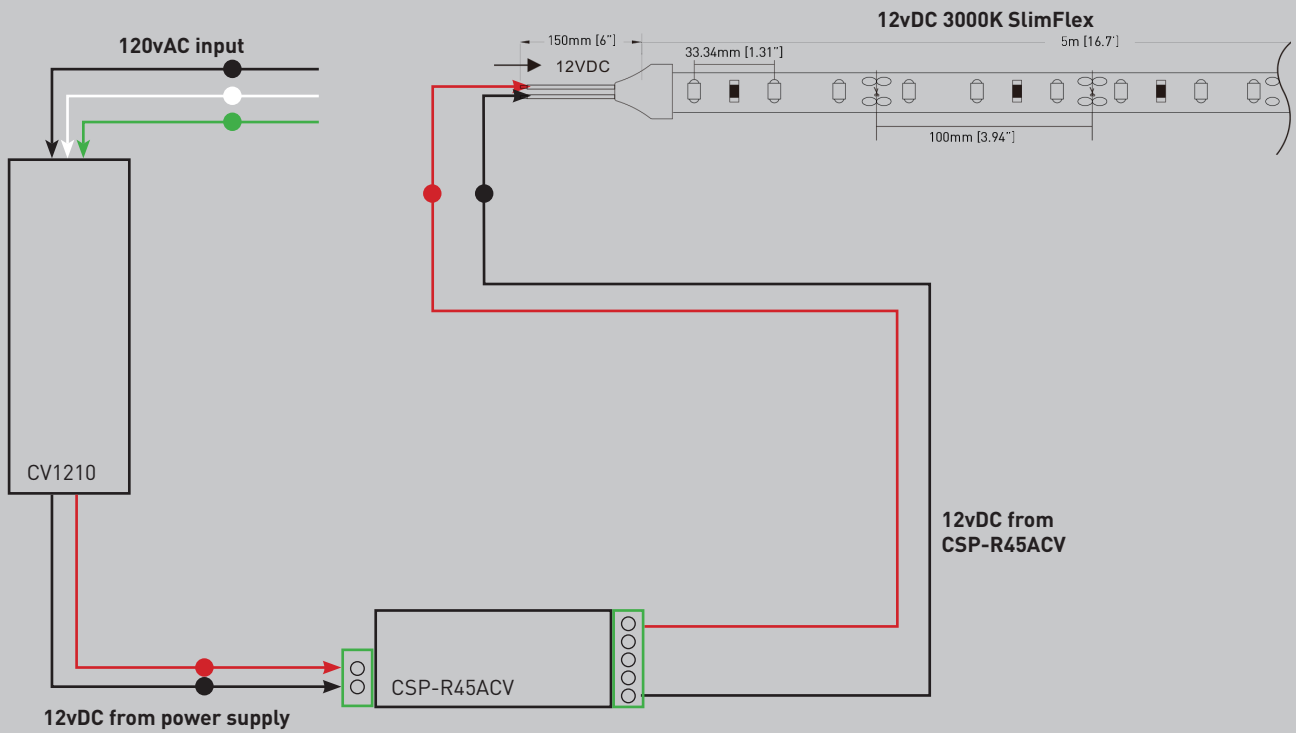
12VDC (ELECTRONIC POWER SUPPLY) > CSP-R45ACV > SINGLE COLOR 12VDC LIGHTING FIXTURE

PART NUMBERS USED:

CV1210 - 100W low voltage 24Vdc power supply

CSP-R45ACV - Color Select PLUS Zone controller

SFT35 - 12VDC Single Color LED SlimFlex tape light



Example 5 - 12VAC as Dimmer Control

12VAC (LOW VOLTAGE TRANSFORMER) > AC-DC CONVERTOR > CSP-R45ACV > SINGLE COLOR 12VDC LIGHTING FIXTURE

PART NUMBERS USED:

TR075- 75W low voltage 12Vac transformer

AD1275 - 75W AC to DC convertor

CSP-R45ACV - Color Select PLUS Zone controller

SFT35 - 12VDC Single Color LED SlimFlex tape light

