

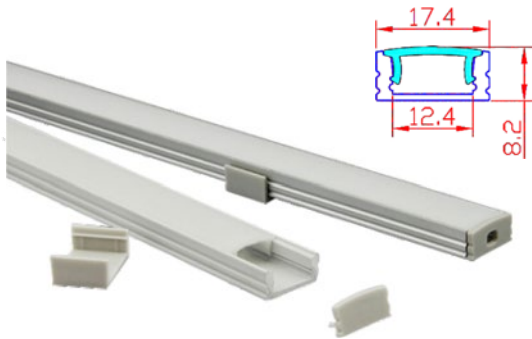


SLIMFLEX

MOUNTING PROFILES

Part # S1707 Surface Mount

Used with SFT28 / SFT35 SlimFlex

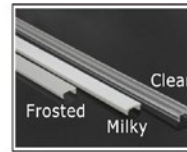


Standard Accessories

Each 1m piece of track comes standard with : 1m cover, 2 end caps, 2 mounting clips



1m profile



Frosted 1707F
Milky 1707M
Clear 1707C



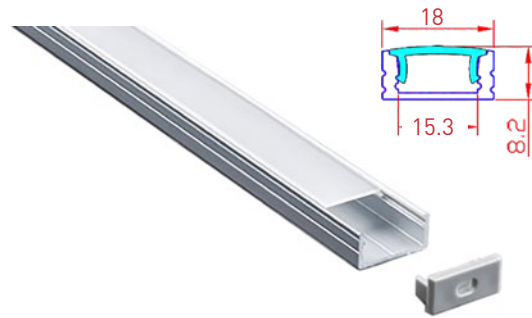
End caps



Mounting Clips

Part # S1808 Surface Mount

Used with SFT50 SlimFlex

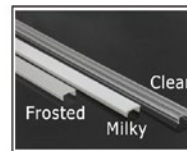


Standard Accessories

Each 1m piece of track comes standard with : 1m cover, 2 end caps, 2 mounting clips



1m profile



Frosted 1808F
Clear 1808C



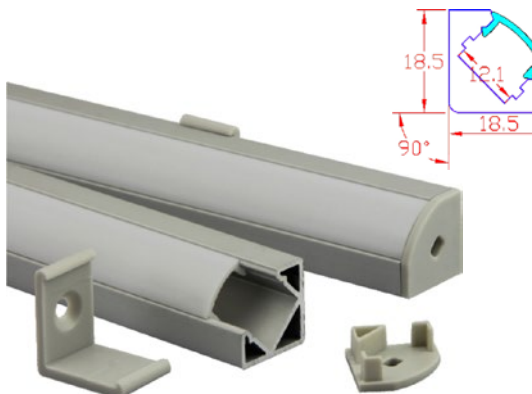
End caps



Mounting Clips

Part # C1919 Corner Mount

Used with SFT28 / SFT35 SlimFlex

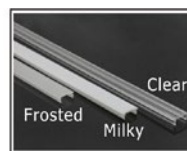


Standard Accessories

Each 1m piece of track comes standard with : 1m cover, 2 end caps, 2 mounting clips



1m profile



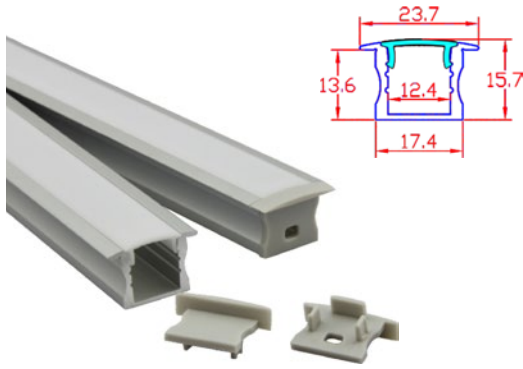
Frosted 1707F
Milky 1707M
Clear 1707C



End caps

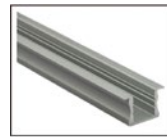


Mounting Clips

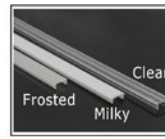


Standard Accessories

Each 1m piece of track comes standard with : 1m cover, 2 end caps



1m profile



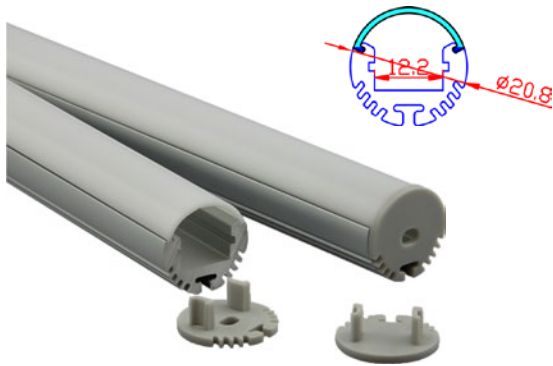
Frosted 1707F
Milky 1707M
Clear 1707C



End caps



R2507 installed
in floor

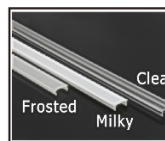


Standard Accessories

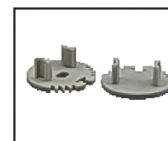
Each 1m piece of track comes standard with : 1m cover, 2 end caps



1m profile



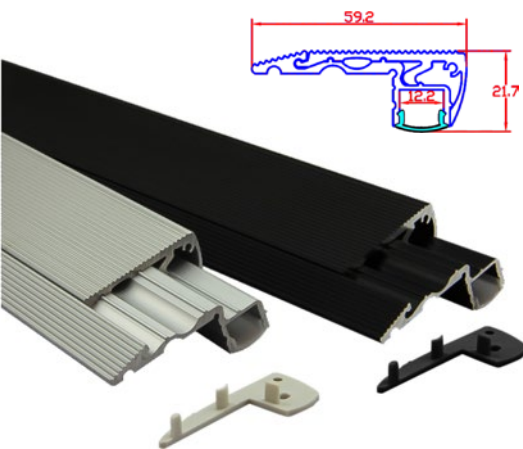
Frosted 1707F
Milky 1707M
Clear 1707C



End caps



R002 Installed
hanging from wire

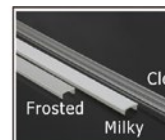


Standard Accessories

Each 1m piece of track comes standard with : 1m cover, 2 end caps



1m profile



Frosted 1707F
Milky 1707M
Clear 1707C



End caps



R1908 Installed
hanging from wire



Description

The SFST Side Emitting SlimFlex track works with the SFS Series of SlimFlex. Made of flexible black PVC with internal metal clips and gripping tongue to provide stronger grip and a permanent grip.

Simply attach with screws or adhesive and slide SFS SlimFlex into the channel.



Side Emitting SlimFlex Installed on a Curved Retaining Wall

