



Outdoor & Wet Location Rated | Dimmable | 3 Year Warranty

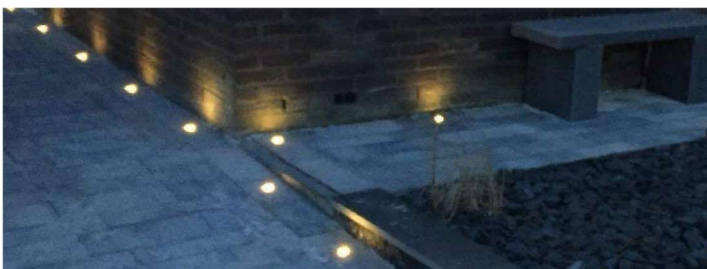
| Product Code | Wattage | Voltage | Beam | Color Temperature | Lumens |
|--------------------|---------|--------------|------|--|--------|
| IGMA-3-1A-FL25-8** | 3W | 12VAC | 25° | WW 2700K / 3000K / 4000K / CW 5000K | 275 |
| IGMA-3-1D-FR90-*** | 3W | 12V or 24VDC | 90° | WW 2700K / 3000K / 4000K / CW 5000K / RGBW | 260 |

Features

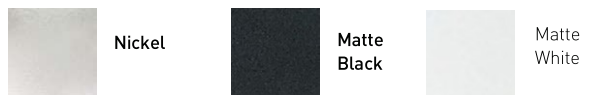
- > Walk on / drive on tested
- > Outdoor rated 3W LED fixture uses power LED technology
- > Multiple recessed trim options
- > -40°F to +185°F operating temperature
- > Use standard pvc pipe for concrete
- > Stainless steel housing
- > +50,000 hour lifespan
- > Includes LED light engine with trim and inground housing
- > Purchase together or separate

Applications

Concrete driveway / Inground / Landscape / Deck & Step

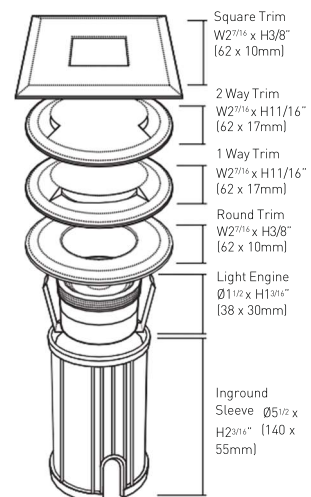


Finishes



Trim Styles Dimensions

Hole cutout size: 1^{3/4}" (44mm)



Ordering Guide

Choice of Finished Product or Parts System. Follow codes accordingly:

| Product | Product Code | Color Temperature | Trim Style | Finish |
|-----------------------------|--------------------|--|--|---|
| 3W IGMA Finished Product | IGMA-3-**-####-XXX | 2700K (827) / 3000K (830) 4000K (840) / 5000K (850) RGBW (Z30) | Round (R), Square (SQ or SR), Scoop (SCP), 1 Way (SL1), 2 Way (SL2), 3 Way (SL3) | Nickel (NK) Matte Black (MB) Matte White (MW) |

** = Input Voltage (1A=12VAC, 1D=12VDC), #### = Beam Angle, XXX = Color Temperature

Parts System:

| Image | Product | Product Code | Color Temperature | Finish |
|---|--|----------------------------------|--|---|
|  | 3W Light Engine | IGMA-3-1A-FL25-8** | 2700K (827) / 3000K (830) 4000K (840) / 5000K (850) | - |
| | Frosted 3W Light Engine | IGMA-3-1D-FR90-*** | 2700K (827) / 3000K (830) 4000K (840) / 5000K (850) RGBW (Z30) | - |
|  | Round Stainless Steel | IGMA-T-R-S-## | - | Nickel (NK) Matte Black (MB) Matte White (MW) |
|  | Square Stainless Steel | IGMA-T-SQ-S-## IGMA-T-SR-S-## | - | Nickel (NK) Matte Black (MB) Matte White (MW) |
|  | Scoop Stainless Steel | IGMA-T-SCP-S-## | - | Nickel (NK) Matte Black (MB) Matte White (MW) |
|  | 1 Way Stainless Steel | IGMA-T-SL1-S-## | - | Nickel (NK) Matte Black (MB) Matte White (MW) |
|  | 2 Way Stainless Steel | IGMA-T-SL2-S-## | - | Nickel (NK) Matte Black (MB) Matte White (MW) |
|  | 3 Way Stainless Steel | IGMA-T-SL3-S-## | - | Nickel (NK) Matte Black (MB) Matte White (MW) |
|  | Inground Housing Good for in dirt or concrete | IGMA-Sleeve | - | Black |
|  | Concrete Housing Our light fits inside standard 2 1/2" PVC couplers, good for concrete pouring. Not included | | | Grey |

***: Color Temperature; ##: Trim Color (finish)