



RGBWW  
**GEMINI**v2  
6w

**MR16**

RoHS Compliant CE FC Bluetooth®

## MR16 6W LED :

IFX's GEMINI Bluetooth controlled RGB and color temperature adjustable LED MR16 is an innovative LED product for many lighting applications. Use the free Bluetooth enabled Smartphone or tablet APP to control 1 or more MR16 lamps.

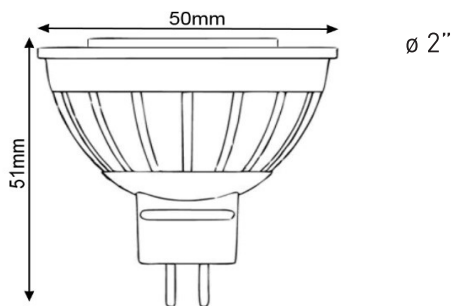
You can select colors, color temp between 2700 and 6500K. You can also dim your lights and create schedules for automatic lighting control.

- iOS (10.0 and above) and Android (4.4.4 and above) compatible
- Works on a Bluetooth MESH network

### SPECIFICATIONS

Type	MR16	
Wattage	6W	
Voltage	MR16 - 12V AC/DC	
Color Temp	RGB and 2700-6500K	
Base	GU5.3	
Power Factor	12VDC 1.0, 12VAC 0.6	
Lumens	2700K (WW)	340 lm
	6500K (CW)	400 lm
Lightwave	Red	70 lm
	Green	100 lm
	Blue	25 lm
Beam Angle	40°	
Operating Temp	-4°F-104°F	
Life	25,000 Hours	
Dimmable	Yes - Via smartphone/tablet APP	
Environment	Suitable for damp locations	
Certifications	ErP, RoHS, CE, REACH, LVD	
Warranty	3 years	

### DIMENSIONS



### ORDERING GUIDE

example product code: MR16/6/COB/FL40/RGB2765-BT

LIGHT SOURCE	WATTAGE	LED	BEAM SPREAD	COLOR TEMP	WIRE LESS
MR16	6	COB	FL40	RGB2765	BT

### RELATED ACCESSORIES

Bluetooth WiFi Gateway  
BTMG

A Gateway is needed to bridge the Bluetooth lamps to the WiFi network and allow control over the internet



Bluetooth Mesh Repeater  
BMR01

The BT Mesh Repeater enhances the Bluetooth signal and helps the signal penetrate materials to improve performance



RGBW G4 Wafer



RGBW G4



SCAN TO DOWNLOAD APP  
Apple Android

