



Flex Light  
**NEOGLOW**  
 NGT1010

TOP BENDING



# NEOGLOW



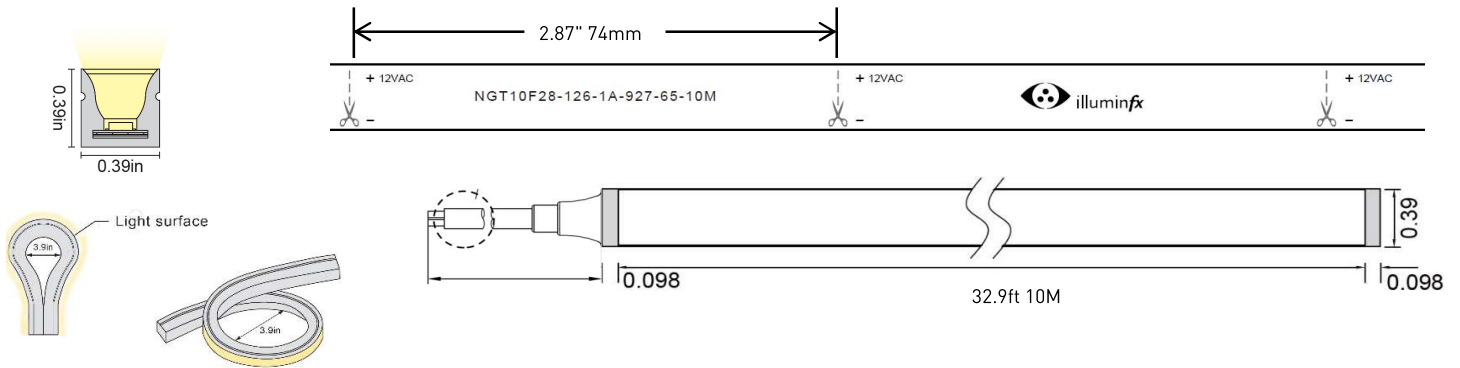
Top bending NeoGlow is a Flexible, low profile linear lighting product which is perfect for applications requiring even illumination along a linear distance, like caps on seating walls, counter edges, steps, undercabinet, inside cabinet, deck railings and countless other applications.

- Features Designed for Professional Installation
- UL Listed
- Top bending
- Max run 32.9 Ft
- 2" cutting interval
- 2M (78") Lead wire
- Works on Standard 12VAC Landscape Lighting Transformer

## SPECIFICATIONS

Wattage	3W/FT   10W/M
Input Voltage	12VAC/DC Constant Current
Efficacy	75 LM/W @3000K
Color temp.	2700K   3000K   4000K
Cutting Interval	74mm   2.87"
LEDs/meter	126
Lumens	2700K - 225LM/ft   3000K - 225LM/ft 4000K - 252LM/ft
CRI	90+
Max run:	32.9 ft   10M
Profile Dim. WxH	10mm x 10mm   ~3/8" x 3/8"
Environment	IP65
Housing:	Silicone Extrusion with milky white diffuser
Dimmable:	Yes
Warranty:	5 Years indoor   3 years Outdoor

## DIMENSIONS



## ORDERING GUIDE

SERIES	LEDs/M	INPUT VOLTS	CRI/CCT	IP RATING	REEL PKG LENGTH
NGT10F28	126	1A			
	126	1A - 12VAC	927 - 2700K	65 - IP65 Outdoor	5M - 5M length
		2D - 24VDC	930 - 3000K		10M - 10M length
			940 - 4000K		CSTM - Custom Length

illuminFx reserves the right to make changes to specifications at any time with or without notice



illuminFx Lighting Systems  
 22 Harcourt Road | Rochester, NY 14606 USA  
 www.illuminfx.com | info@illuminfx.com | 585-254-8010  
 NGT10 Draft