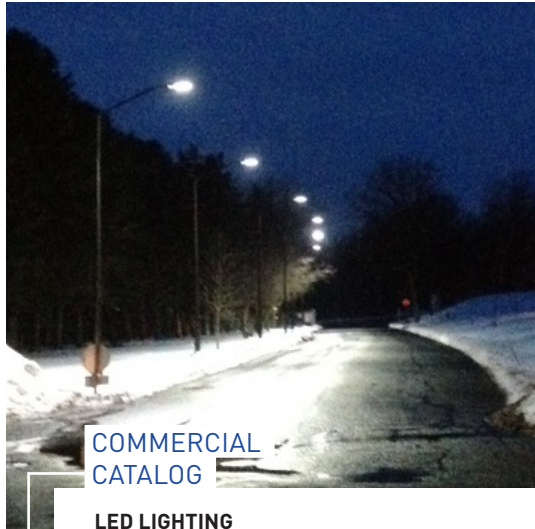


v2.23

LIGHTING
CATALOG

ABOUT ILLUMINFx



LED LIGHTING

illuminfx's new LED catalog includes some of the newest and best innovations in lighting for outdoor settings. LED fixtures offer astounding energy savings over traditional halogen, metal halide, and high pressure sodium systems.

FIXTURE SELECTION

illuminfx has provided an array of different types of LED commercial fixtures to use on a variety of projects.

For architectural and landscape lighting purposes, illuminfx offers a wide variety of in-grade, surface mount, underwater, and wall wash luminaires, in both single color and color-changing RGB or RGBW. We divide these color options into two families, **oslo** and **Rio**. Oslo is single color, usually (standard) warm white 3000K and most often operable on 12VAC. Rio is our color-changing family, operating on 24VDC. Most fixture types are available in both oslo and Rio versions.

illuminfx also offers a selection of high powered commercial and industrial luminaires ranging from interior downlights to outdoor street and parking lot fixtures.

For unique, "out of the box" situations, check out our flexible lighting products and our fiber optic lighting systems.

BENEFITS OF LED

LONG LIFE

Outstanding operational life time expectation of up to 50,000 hours. This is 6 years of continuous operation, or 12 years of 50% operation.

ENERGY EFFICIENCY

Today's most efficient way of illumination and lighting, with an estimated energy efficiency of 80%-90% when compared to traditional lighting and conventional light bulbs.

ZERO UV EMISSIONS

LED illumination produces little infrared light and close to no UV emissions as well as giving very little heat.

LOW TEMP OPERATION

LED are ideal for operation under cold and low outdoor temperature settings.

INSTANT LIGHTING

LED lights brighten up immediately and when powered on, which has great advantages for infrastructure projects such as traffic and signal lights.

GENERAL HISTORY

DEDICATED TO ENERGY SAVINGS

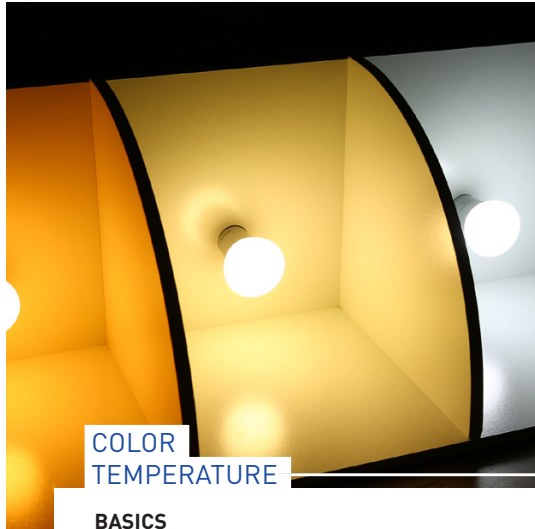
illuminfx was formed in 2000 as a division of Unitrac Energy Management Company to manufacture water feature lighting systems that would provide builders and pond owners more of the benefits they were looking for, such as smaller, easier to hide fixtures; ease of installation and maintenance; no electricity or heat in the water; and more versatility.

illuminfx now sells fiber optic units that apply to a variety of applications, using different types of fiber and mounting systems. The cornerstone of the illuminfx line of pond lighting is the pre-manufactured fiber optic lighting kit that utilizes 25-strand, end-emitting fiber, and a choice of either a 250-watt halogen or a 150-watt metal halide illuminator. These kits come in 4-, 8-, 12- and 16-light configurations with standard cable lengths between 10 and 30 feet. Lengths can be customized up to 50 feet.

The newest line of water feature fiber optics is our "high output", Series 7 line that utilizes 50-strand, end emitting fiber, with 150-watt metal halide illuminators. illuminfx also offers star ceiling kits and rope light, for use in and around the house.

In addition, illuminfx now offers a full line of warm white and full color changing LED lighting: Rio/oslo. These fixtures can be used in and around ponds, water features or pools, as well as for hardscapes and architectural illumination.

CHOOSING YOUR LED



COLOR TEMPERATURE

BASICS

All artificial lighting sources produce light in varied wavelengths of color.

Imagine an iron bar (in lighting lingo, we call it a "black body radiator"). Take the bar, put it in a furnace and heat it up. As it heats up, measuring the bar in Kelvin degrees, the bar goes from red to orange, to yellow, to blue. Most people know that blue flame is hotter than yellow, even though it looks "cooler" (think acetylene torch).

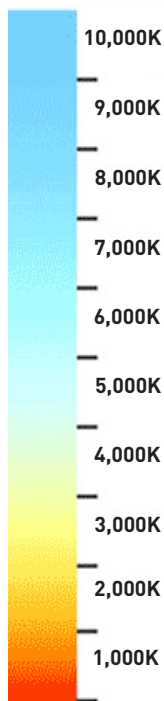
The chart to the left shows the spectrum of color temperature as it goes from warm to cool. Most people associate the color blue with "cool", or cold. Think about blue ice, or the deep, dark blue cold depths of the ocean. Reds, oranges, and yellow are associated with warmth. This is why even though a light source described as "warm white" actually is a lower color temperature than a source described as "cool white."

CCT APPLICATION

Choosing the right color temperature (CCT) for each job is typically based on both preference, and how light works in a particular environment. First, a list of what certain color temps are associated with:

- 2700K**—Incandescent light
- 3000K**—Halogen
- 4000K**—Metal halide
- 4100K**—Cool white fluorescent
- 5000K**—Sunny daylight fluorescent
- 6500K**—"daylight"

Residential lighting is typically associated with warmer color temperatures that invoke a more relaxed environment. However, warmer color temps are not always the right choice.



COLOR RENDERING INDEX

DEFINED

The Color Rendering Index (CRI) is the relative ability of a light source to replicate colors generated by a reference light source of the same color temperature. It is measured as a number between 0 and 100.

EXPLAINED

This is often used to compare a light source ability to replicate the sun. In this case the sun is the reference light source. In layman's terms a CRI of 80 means that the LED light bulb is replicating 80% of the visible color spectrum that the sun would produce at the same color temperature. A CRI of 100%, taken at a color temperature of noon day sunlight will exactly reproduce the colors found on a sunny day at noon. A CRI of 50% taken at noon day sun will partially reproduce the colors when compared to that of a normal noon day.



CRI 50

CRI 80

CRI 90

YOUR EYE AND CCT

Your eye perceives color when the correct wavelength of light bounces off of an object. This means that if that wavelength is not present, your eye will not perceive that color. For this reason, it is important to utilize as much as the spectrum when lighting your environment.

Since your eye is most sensitive to blues and greens at night. Higher color temperatures help you see better in outdoor parking lots and roadways. High Pressure sodium, a very orange light, used to be a popular choice due to its high lumens per watt rating, but new LED technology at higher CCT offer exceptional energy efficiency as well as visual performance.

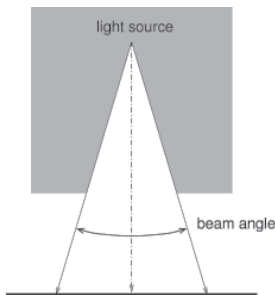
BEAM ANGLES

BASICS

The beam angle is the degree of width that light emanates from a light source. Specifically: The angle between those points on opposite sides of the beam axis where the intensity drops to 50% of maximum.

Examples include flood light, spot light, narrow spot light, and wide flood light. Each is a way of stating LED beam angle. Typically a narrow beam angle is a 'spot' of light and a broader beam angle 'floods' an area with light, called a flood light.

However, LED lighting fixtures and lamps are more than just floodlights and spotlights. Like any light bulb, they come in shapes and technologies to fit any application. Many of illuminFix's LED commercial fixtures and lamps are highly specified, containing engineered surfaces that control the beam of light to an angle so precise it takes seven different classifications just to explain their possible uses.



A — VERY NARROW SPOT (SP / NEMA 1)

A beam angle between 6–18°. Perfect for small columns, statues, and product placement.

B — NARROW SPOT (SP / NEMA 2)

A beam angle between 18–29°. Also popular in retail settings for product illumination or for outdoor lighting of signs and garden features.

C — SPOT (SP / NEMA 3)

A beam angle between 29–46°. A lighting wider beam is great for highlighting sales areas in stores or architectural features, and trees.

D — NARROW FLOOD (FL / NEMA 4)

A beam angle between 46–70°. Now up to the smallest flood lighting fixtures. They are best used to illuminate bigger indoor and outdoor features.

E — FLOOD (FL / NEMA 5)

A beam angle between 70–100°. This classifications fixture have a variety of uses. Everything from pendant lights to recessed lighting.

F — WIDE FLOOD (FL / NEMA 6)

A beam angle between 100–130°. This light fixtures are used to cover a wide swath of territory with light.

G — VERY WIDE FLOOD (FL / NEMA 7)

A beam angle between 130+°. Finally, these fixtures typically used for A lamps or recessed lighting to illuminate a large area in a soft glow.

CLASSIFICATIONS

NOTE : These seven classifications specify standard beam angles. They are the same in both the horizontal and vertical plane. However, some fixtures such as street lights, come with optional ASYMMETRIC beam spreads.

ASYMMETRIC BEAM ANGLES

The asymmetric lens on our LED fixtures provide for lighting options. Unlike standard single angle beam spreads that are the same in both the horizontal and vertical planes, asymmetric have different angles in either direction. Designated as W on product codes.

EXPLAINED

For example, a common beam spread for a LED street or parking lot light is a 50°x120° beam. Notice how there are two degrees mentioned for one beam. The first measurement (in this case 50°) describes the vertical angle of the light. The second (120°) describes the horizontal.

In this example the street light will cast a WIDE FLOOD towards the ground but the 50° part of the LED lens will direct the light away from the light pole and towards the road.

Another use for asymmetric beam spreads and a good way to visualize it is with in grade fixtures. In this case the beam is a 45°x35°. This directs light up and towards the wall (diagram 1).

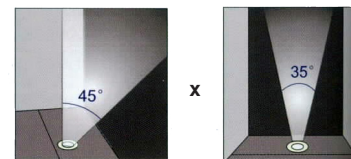
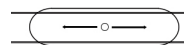


Diagram 1

IES CLASSIFICATION

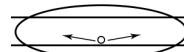
In addition, some fixtures, particularly street lights are classified under the IES system.

TYPE I



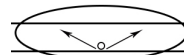
Generally applicable to a luminaires location near the center of a roadway where the mounting height is approximately equal to the roadway width.

TYPE II



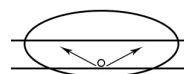
Generally applicable to luminaires located at or near the side of relatively narrow roadways, where the width of the roadway does not exceed 1.75 times the designed mounting height.

TYPE III



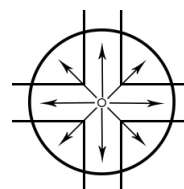
Intended for luminaires mounted at or near the side of medium width roadways or areas, where the width of the roadway or area does not exceed 2.75 times the mounting height.

TYPE IV



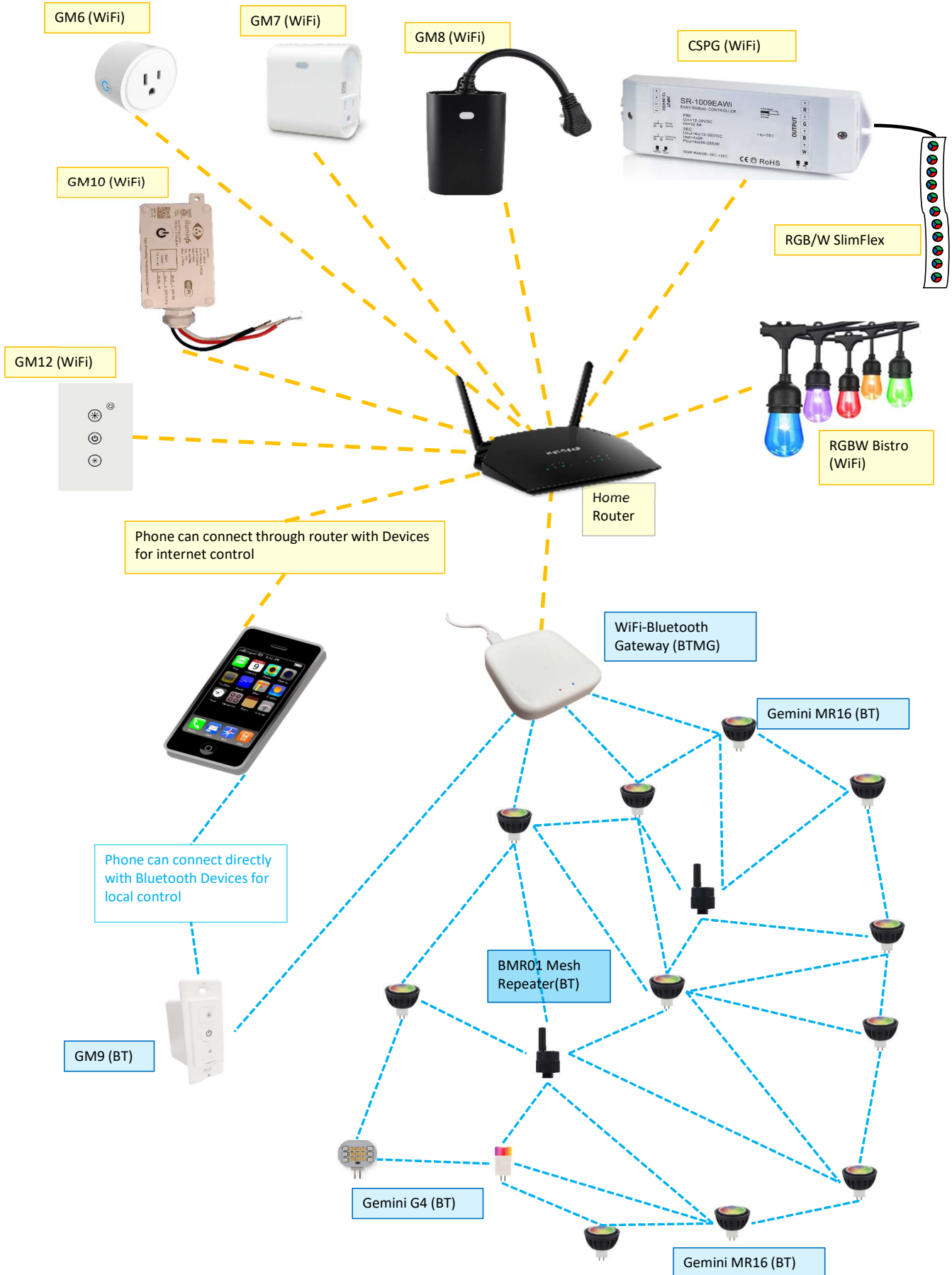
Intended for side-of-road mounting and is generally used on wide roadways where the roadway width does not exceed 3.7 times the mounting height.

TYPE IV



Intended for luminaires mounting at or near center of roadways, center islands of parkway, and intersections. It is also meant for large, commercial parking lot lighting as well as areas where sufficient, evenly distributed light is necessary.

L I G H T I N G
C O N T R O L





GEMINIv2

Bluetooth Mesh Repeater

BMR01



Bluetooth®

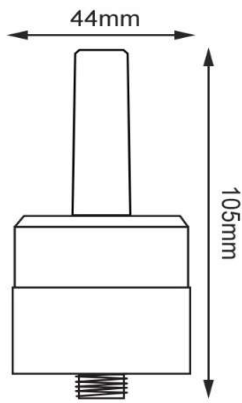


REPEATER:

The GEMINI Bluetooth Mesh Repeater boosts the Bluetooth signal on a project to help penetrate and provide Bluetooth signal to lamps and devices shielded by metals and other materials. Consider placing one BMR01 Repeater every 50 feet.

- iOS (10.0 and above) and Android (4.4.4 and above) compatible
- Works on a Bluetooth MESH network

DIMENSIONS



SPECIFICATIONS

Type	Bluetooth Mesh Repeater
Wattage	0.5W
Input Voltage	9-15V AC/DC
IP Grade	IP65
Base	1/2 NPSM
Max Coverage Radius	300 ft (no obstacles; recommend 50 ft)
Antenna	2.4GHz Bluetooth Gain /UV Resistant
Material	Aluminum
Certification	ErP, RoHS, CE, FCC
Operation System	Tuya Smart
Voltage Standing Wave Ratio \leq	1.5(dB)
Operating Temp	-4°F-104°F
Warranty	3 Years
Dimmable	Yes - Via smartphone/tablet APP
Environment	Suitable for wet locations

ORDERING GUIDE

product code: BMR01

RELATED ACCESSORIES

Bluetooth WiFi Gateway
BTMG

A Gateway is needed to bridge the Bluetooth lamps to the WiFi network and allow control over the internet



G4 RGBW



MR16 RGBW/CW



RGBW G4 Wafer



SCAN TO DOWNLOAD APP

Apple Android



GEMINIv2

Bluetooth Mesh Gateway

BTMG



GATEWAY:

IFX's GEMINI Bluetooth Mesh Gateway provides a link from the Bluetooth lamps and devices on a project to the WiFi router and network, enabling control from the internet and the WiFi network. Use the free Bluetooth enabled Smartphone or tablet APP to control 1 or more lamps.

You can dim your lights and create schedules for automatic lighting control from anywhere you have internet access.

- iOS (10.0 and above) and Android (4.4.4 and above) compatible
- Works on a Bluetooth MESH network

DIMENSIONS

60.5*60.5*16.1mm



ORDERING GUIDE

example product code: BTMG

RELATED ACCESSORIES

Bluetooth Mesh Repeater
BMR01

The BT Mesh Repeater enhances the Bluetooth signal and helps the signal penetrate materials to improve performance



MR16 RGBW/CW



G4 RGBW



G4 Wafer RGBW



SPECIFICATIONS

Status Indicator	Two Led: WiFi and Bluetooth
Working Current	<1A
Voltage	5VDC over Micro USB Port
Dimensions	2 3/8"L x 2 3/8"W x 5/8"H
Operation	One power/Reset Button
Working Humidity	10-90% (non-condensing)
Transmit Power	7 dBm BLE 21 dBm WiFi
Wireless	Wi-Fi: 802.11b/g/n BLE & BLE Mesh
Frequency	2.4 GHz - 2.4835 GHz
Max Connections	128
Operating Temp	14°F-131°F
Wireless Encryption	128-bit AES; WPA-PSK or WPA2-PSK and WPA or WPA2
Network Management	Remote App configuration Wi-Fi, Bluetooth module firmware upgrades
Blue Indicator (BLE)	Blink:allow access; Steady on BLE Active
Red Indicator (WiFi)	Blink:allow access; Steady on WiFi Active
Warranty	3 years

SCAN TO DOWNLOAD APP

Apple

Android





Smart led lamps

RGBWW

GEMINIv2

6w

MR16



RoHS Compliant



Bluetooth®



MR16 6W LED :

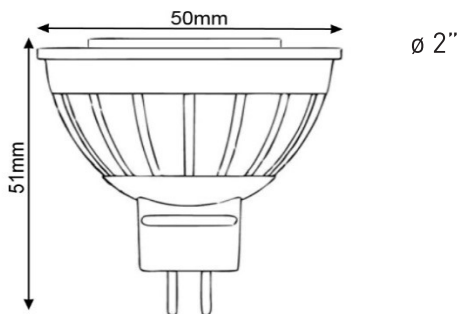
IFX's GEMINI Bluetooth controlled RGB and color temperature adjustable LED MR16 is an innovative LED product for many lighting applications. Use the free Bluetooth enabled Smartphone or tablet APP to control 1 or more MR16 lamps. You can select colors, color temp between 2700 and 6500K. You can also dim your lights and create schedules for automatic lighting control.

- iOS (10.0 and above) and Android (4.4.4 and above) compatible
- Works on a Bluetooth MESH network

SPECIFICATIONS

Type	MR16	
Wattage	6W	
Voltage	MR16 - 12V AC/DC	
Color Temp	RGB and 2700-6500K	
Base	GU5.3	
Power Factor	12VDC 1.0, 12VAC 0.6	
Lumens	2700K (WW)	340 lm
	6500K (CW)	400 lm
Lightwave	Red	70 lm
	Green	100 lm
	Blue	25 lm
Beam Angle	40°	
Operating Temp	-4°F-104°F	
Life	25,000 Hours	
Dimmable	Yes - Via smartphone/tablet APP	
Environment	Suitable for damp locations	
Certifications	ErP, RoHS, CE, REACH, LVD	
Warranty	3 years	

DIMENSIONS



ORDERING GUIDE

example product code: MR16/6/COB/FL40/RGB2765-BT

LIGHT SOURCE	WATTAGE	LED	BEAM SPREAD	COLOR TEMP	WIRE LESS
MR16	6	COB	FL40	RGB2765	BT

RELATED ACCESSORIES

Bluetooth WiFi Gateway
BTMG



A Gateway is needed to bridge the Bluetooth lamps to the WiFi network and allow control over the internet

Bluetooth Mesh Repeater
BMR01

The BT Mesh Repeater enhances the Bluetooth signal and helps the signal penetrate materials to improve performance



RGBW G4 Wafer



RGBW G4

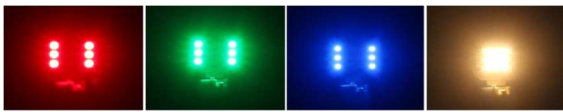


SCAN TO DOWNLOAD APP

Apple

Android





Smart led lamps

RGBW
GEMINIv2
2w

G4
WAFER



G4Wafer 2W LED:

IFX's GEMINI Bluetooth controlled RGBW LED G4 Wafer lamp is an innovative LED product for many lighting applications. Use the free Bluetooth enabled Smartphone or tablet APP to control 1 or more lamps.

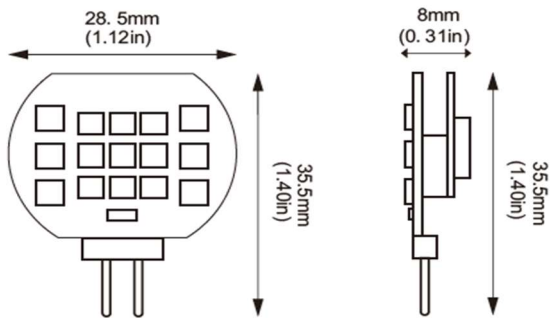
You can select colors or 2700K white. You can also dim your lights and create schedules for automatic lighting control.

- iOS (10.0 and above) and Android (4.4.4 and above) compatible
- Works on a Bluetooth MESH network

SPECIFICATIONS

Type	G4 Wafer	
Wattage	2W	
Voltage	12V AC/DC	
Color Temp	RGBW 2700K	
Base	G4	
Power Factor	12VDC 1.0, 12VAC 0.6	
Lumens	2700K (WW)	180 Lm
	Red	12 Lm
	Green	25 Lm
	Blue	6 Lm
Beam Angle	120°	
Operating Temp	-4°F-104°F	
Life	25,000 Hours	
Dimmable	Yes - Via smartphone/tablet APP	
Environment	Suitable for dry locations	
Certifications	ErP, RoHS, CE, FCC	
Warranty	3 years	

DIMENSIONS



ORDERING GUIDE

example product code: G4/02/WF120/RGB27-BT

LIGHT SOURCE	WATTAGE	LED	BEAM SPREAD	COLOR TEMP	WIRE LESS
G4 Wafer	2	SMD	120	RGBW27	BT

RELATED ACCESSORIES

Bluetooth WiFi Gateway BTMG

A Gateway is needed to bridge the Bluetooth lamps to the WiFi network and allow control over the internet



Bluetooth Mesh Repeater BMR01

The BT Mesh Repeater enhances the Bluetooth signal and helps the signal penetrate materials to improve performance



MR16

RGBW G4

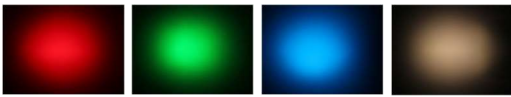


SCAN TO DOWNLOAD APP

Apple

Android





Smart led lamps

RGBW
GEMINIv2
2w

G4



G4 2W LED:

IFX's GEMINI Bluetooth controlled RGBW LED G4 lamp is an innovative LED product for many lighting applications. Use the free Bluetooth enabled Smartphone or tablet APP to control 1 or more lamps.

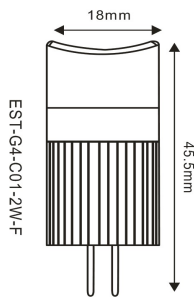
You can select colors or 2700K white. You can also dim your lights and create schedules for automatic lighting control.

- iOS (10.0 and above) and Android (4.4.4 and above) compatible
- Works on a Bluetooth MESH network

SPECIFICATIONS

Type	G4	
Wattage	2W	
Voltage	12V AC/DC	
Color Temp	RGBW 2700K	
Base	G4	
Power Factor	12VDC 1.0, 12VAC 0.6	
Lumens	2700K (WW)	120 Lm
	Red	18 Lm
	Green	42 Lm
	Blue	11 Lm
Beam Angle	360	
Operating Temp	-4°F-104°F	
Life	25,000 Hours	
Dimmable	Yes - Via smartphone/tablet APP	
Environment	Suitable for dry locations	
Certifications	ErP, RoHS, CE, FCC	
Warranty	3 years	

DIMENSIONS



ORDERING GUIDE

example product code: G4/02/OM360/RGB27-BT

LIGHT SOURCE	WATTAGE	LED	BEAM SPREAD	COLOR TEMP	WIRE LESS
G4 Wafer	2	SMD	OMNI360	RGBW27	BT

RELATED ACCESSORIES

Bluetooth WiFi Gateway BTMG



A Gateway is needed to bridge the Bluetooth lamps to the WiFi network and allow control over the internet

Bluetooth Mesh Repeater BMR01



The BT Mesh Repeater enhances the Bluetooth signal and helps the signal penetrate materials to improve performance

MR16



RGBW G4 Wafer



SCAN TO DOWNLOAD APP

Apple

Android





GEMINIv2

Bluetooth Mesh Gateway

BTMG



GATEWAY:

IFX's GEMINI Bluetooth Mesh Gateway provides a link from the Bluetooth lamps and devices on a project to the WiFi router and network, enabling control from the internet and the WiFi network. Use the free Bluetooth enabled Smartphone or tablet APP to control 1 or more lamps.

You can dim your lights and create schedules for automatic lighting control from anywhere you have internet access.

- iOS (10.0 and above) and Android (4.4.4 and above) compatible
- Works on a Bluetooth MESH network

DIMENSIONS

60.5*60.5*16.1mm



ORDERING GUIDE

example product code: BTMG

RELATED ACCESSORIES

Bluetooth Mesh Repeater
BMR01

The BT Mesh Repeater enhances the Bluetooth signal and helps the signal penetrate materials to improve performance



MR16 RGBW/CW



G4 RGBW



G4 Wafer RGBW



SPECIFICATIONS

Status Indicator	Two Led: WiFi and Bluetooth
Working Current	<1A
Voltage	5VDC over Micro USB Port
Dimensions	2 3/8"L x 2 3/8"W x 5/8"H
Operation	One power/Reset Button
Working Humidity	10-90% (non-condensing)
Transmit Power	7 dBm BLE 21 dBm WiFi
Wireless	Wi-Fi: 802.11b/g/n BLE & BLE Mesh
Frequency	2.4 GHz - 2.4835 GHz
Max Connections	128
Operating Temp	14°F-131°F
Wireless Encryption	128-bit AES; WPA-PSK or WPA2-PSK and WPA or WPA2
Network Management	Remote App configuration Wi-Fi, Bluetooth module firmware upgrades
Blue Indicator (BLE)	Blink:allow access; Steady on BLE Active
Red Indicator (WiFi)	Blink:allow access; Steady on WiFi Active
Warranty	3 years

SCAN TO DOWNLOAD APP

Apple

Android





GEMINIv2

Bluetooth Mesh Repeater

BMR01



Bluetooth®

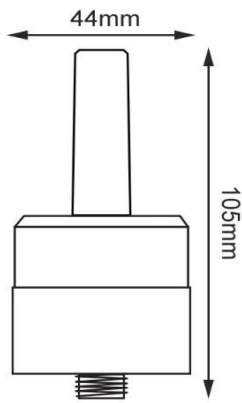


REPEATER:

The GEMINI Bluetooth Mesh Repeater boosts the Bluetooth signal on a project to help penetrate and provide Bluetooth signal to lamps and devices shielded by metals and other materials. Consider placing one BMR01 Repeater every 50 feet.

- iOS (10.0 and above) and Android (4.4.4 and above) compatible
- Works on a Bluetooth MESH network

DIMENSIONS



SPECIFICATIONS

Type	Bluetooth Mesh Repeater
Wattage	0.5W
Input Voltage	9-15V AC/DC
IP Grade	IP65
Base	1/2 NPSM
Max Coverage Radius	300 ft (no obstacles; recommend 50 ft)
Antenna	2.4GHz Bluetooth Gain /UV Resistant
Material	Aluminum
Certification	ErP, RoHS, CE, FCC
Operation System	Tuya Smart
Voltage Standing Wave Ratio \leq	1.5(dB)
Operating Temp	-4°F-104°F
Warranty	3 Years
Dimmable	Yes - Via smartphone/tablet APP
Environment	Suitable for wet locations

ORDERING GUIDE

product code: BMR01

RELATED ACCESSORIES

Bluetooth WiFi Gateway
BTMG

A Gateway is needed to bridge the Bluetooth lamps to the WiFi network and allow control over the internet



G4 RGBW



MR16 RGBW/CW



RGBW G4 Wafer



SCAN TO DOWNLOAD APP

Apple Android

WiFi

GEMINI

GM6

Indoor Smart Plug



GEMINI GM6

The updated Gen2 Gemini smart products take your control capabilities to the next level.

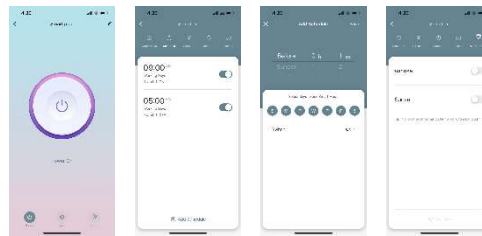
Turn the device on or off by pushing the on/off button, controlling with the SmartLife app on your smartphone or tablet, or by using voice control via most Smart Home interfaces like Amazon Alexa, Google Home, Samsung Smart Things, and more.

Use the app to fully automate scheduling and time functions, including astronomic control, weather based, or other criteria, and integrate with other automation systems using IFTTT

SPECIFICATIONS

Model number:	GM6
Max Wattage:	1000W
Outlets:	1 smart outlet
Ratings:	120VAC, 60 Hz, 10A
Operation:	2.4GHz WiFi

Screen Shots:





accessories

WiFi

GEMINI

GM7

Dual Smart Plug



GEMINI GM7

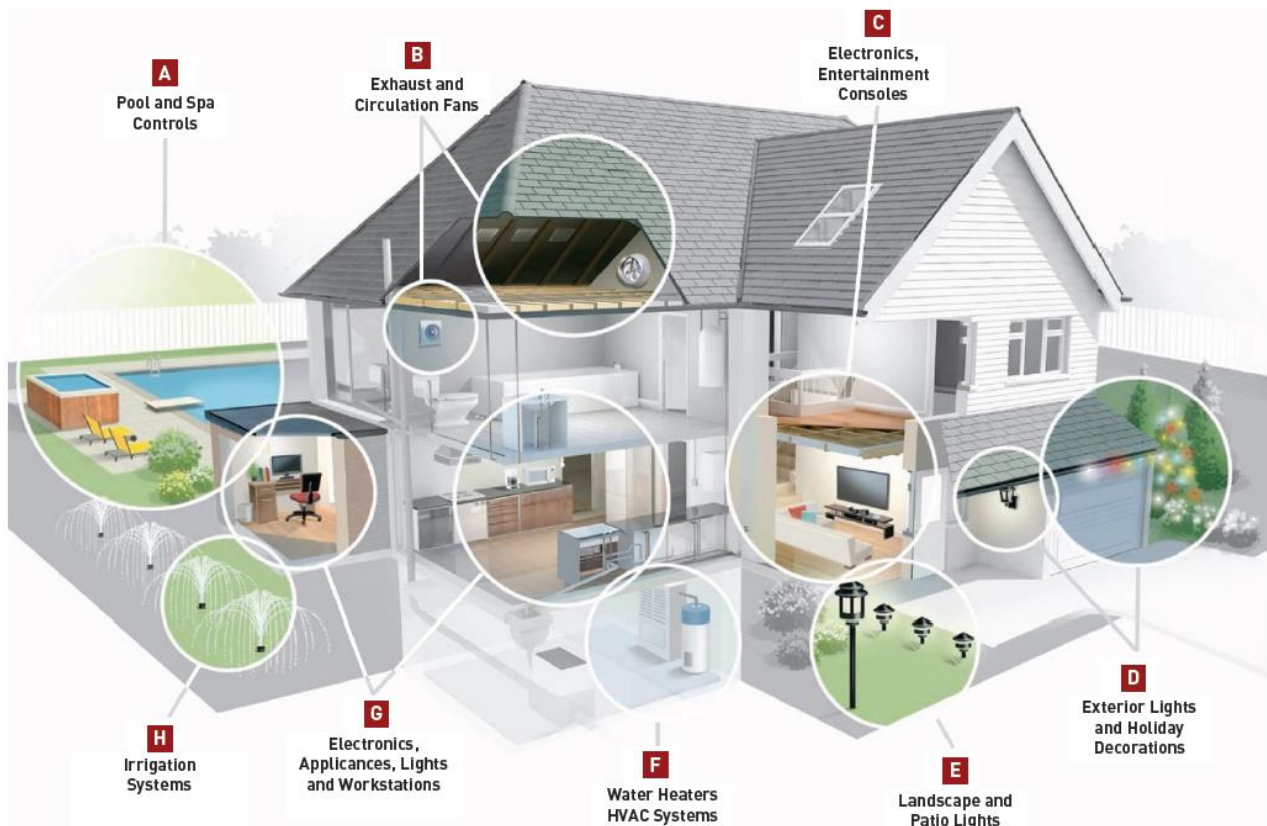
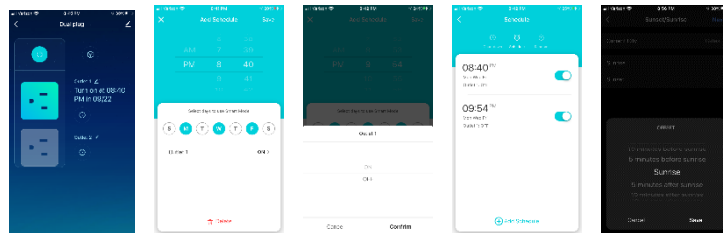
The updated Gen2 Gemini smart products take your control capabilities to the next level.

Turn the device on or off by pushing the on/off button, controlling with the SmartLife app on your smartphone or tablet, or by using voice control via most Smart Home interfaces like Amazon Alexa, Google Home, Samsung Smart Things, and more.

Use the app to fully automate scheduling and time functions, including astronomic control, weather based, or other criteria, and integrate with other automation systems using IFTTT

SPECIFICATIONS

Model number:	GM7
Max Wattage:	1000W
Outlets:	2 smart outlets, independent control
Ratings:	120VAC, 60 Hz, 10A/outlet or 15A combined
Operation:	2.4GHz WiFi



WiFi

GEMINI

GM8

Outdoor Dual Smart Plug



GEMINI GM8

The updated Gen2 Gemini smart products take your control capabilities to the next level.

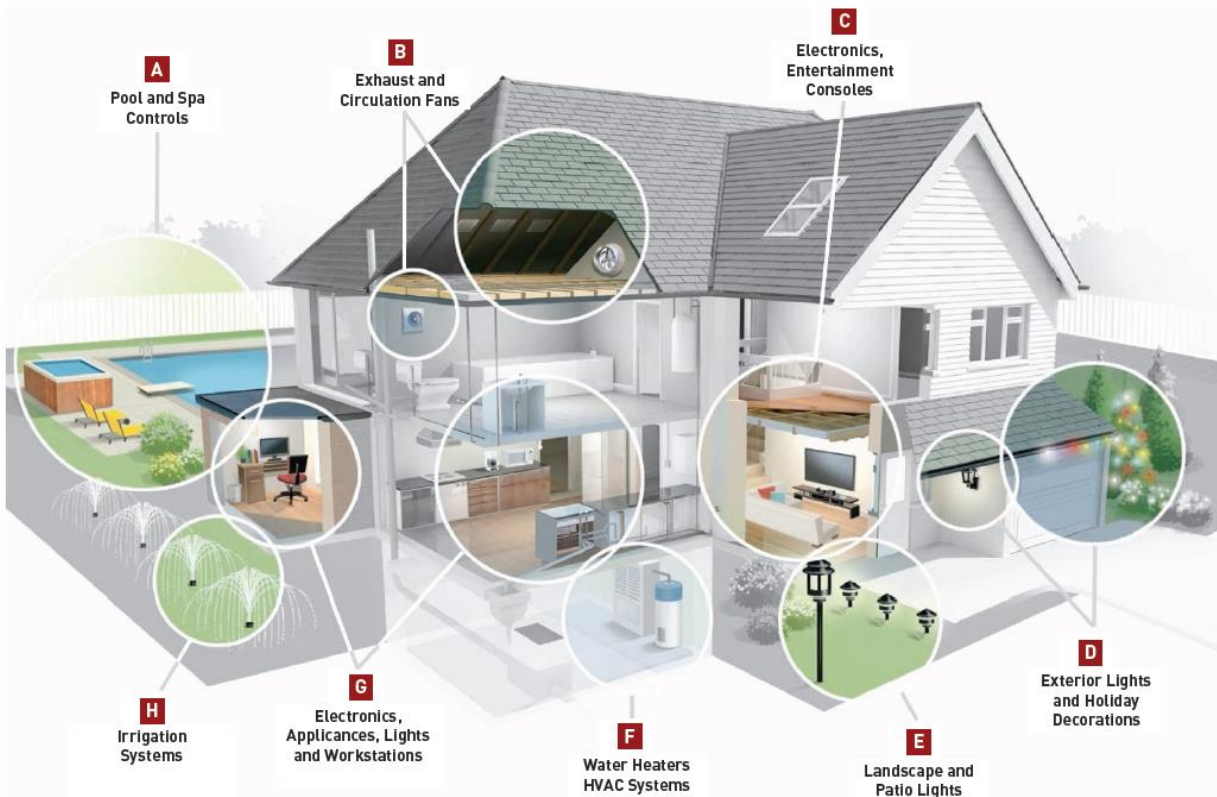
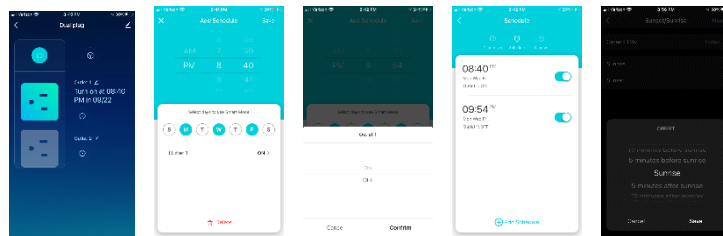
Turn the device on or off by pushing the on/off button, controlling with the SmartLife app on your smartphone or tablet, or by using voice control via most Smart Home interfaces like Amazon Alexa, Google Home, Samsung Smart Things, and more.

Use the app to fully automate scheduling and time functions, including astronomic control, weather based, or other criteria, and integrate with other automation systems using IFTTT

SPECIFICATIONS

Model number:	GM8
Max Wattage:	1000W
Outlets:	2 smart outlets, independent control
Ratings:	120VAC, 60 Hz, 10A/outlet or 15A combined
Operation:	2.4GHz WiFi

ScreenShots:



Smart Dimmer Switch

Works with
Smart Life app

Use with or without
 Bluetooth®

works with the
Google Assistant

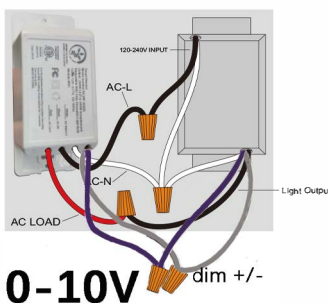
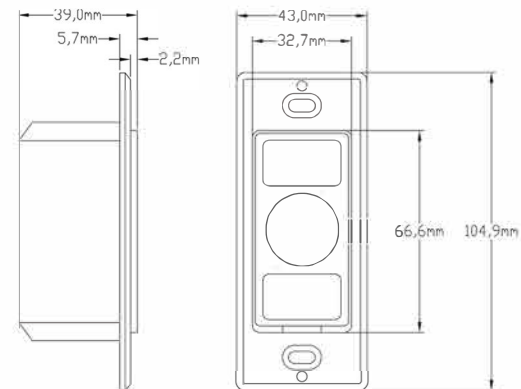
WORKS WITH
amazon alexa

Works As A Standard Dimmer
Use Dimmer As A Master Switch

Features

- Control your lights from anywhere
- Control from the dimmer switch or any smart device
- Voice control with Alexa or Google for hands free use
- Make any bulb smart
- Set schedules and timers
- Use 2 dimmers on the same circuit
- Use dimmer as a master switch to shut off other lights
- Includes LED dimming indicator lights
- ETL listed

*Grouping is based on your household Network load.



Model number	Smart dimmer switch
Quantity	100PCS
Net Weight	9.2KG/20.28Lbs
Gross Weight	11.9KG/26.23Lbs
Ctn Size	590mm*580mm*115mm 23.2inch*22.8inch*4.5inch

Specifications

Item Number	Maximum Wattage	Input Line Voltage	Dimmer
GM9	1000W	120V-277V	0-10V

Smart Dimmer Kit



Only supports
2.4GHz Wi-Fi networks

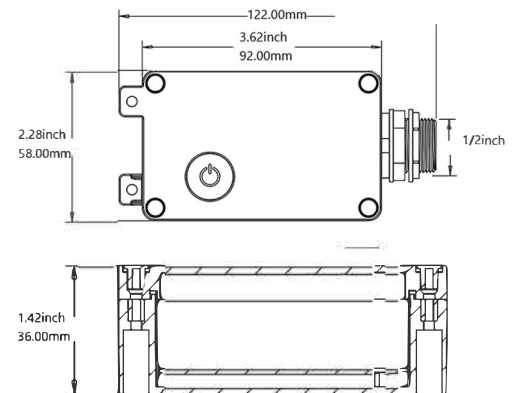


Download
Smart Life app

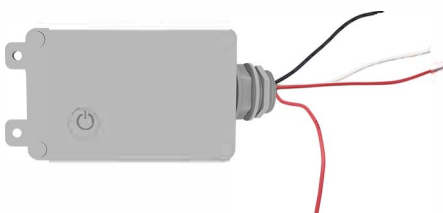


Features

- Control your lights from anywhere
- Voice Control with Alexa or Google for hands free use
- 12-24V AC/DC input option to “zone” Landscape transformers with PWM Dimming
- 120V input option with Triac dimming
- Set Schedules and timers
- Vast feature set of smart control options



12-24V PWM Dimmer Kit



Black = +
White = -
Red = Load
Red & White = Load

Model number	Smart dimmer kit
Quantity	100PCS
Net Weight	12.8kg/28.31bs
Gross Weight	14.3kg/31.5lbs
Ctn Size	72.0cm*47.0cm*13.5cm 2.8inch 1.8 inch 0.5inch

Specifications

Item Number	Maximum Wattage	Input Line Voltage	Dimm
GM10-12V-W	200W	12-24VAC/DC	PWM
GM10-120T	200W	120VAC	Triac



WiFi

GEMINI

Smart Dimmer Panel & Astronomic Timer



GEMINI GM-12:

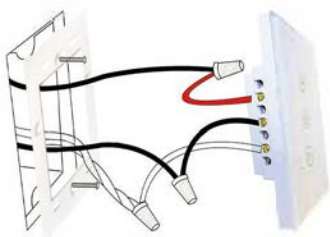


Control and monitor your lights and appliances with your smartphone from anywhere with the Gemini WiFi Astronomical Timer! With Gemini smart switches, wirelessly connect all of your favorite devices using our simple, feature-filled product. No need to buy special electronics--the Gemini indoor Wi-Fi light switch retrofits your existing electrical devices to completely modernize your home, at affordable prices. Control the Gemini devices from anywhere - at home or on the go using Bluetooth, Wi-Fi network or mobile internet (3G/4G/LTE). There are no set-up fees and no monthly charges.

Easy integration with IFX line of products. Including OmegaPro TR Series Transformers

- Control electrical devices from anywhere - anytime
- Turn on and off lights using your smartphone or tablet
- Control dimming function from either you smart phone, tablet, or dimmer switch itself
- Affordable home automation - works with your existing Wi-Fi router and free SmartLife App
- Voice control with Alexa or Google for hands free use
- Fits easily in a single gang box
- Set up full automation of connected lights. Including holiday, astronomic, etc

WIRING



SPECIFICATIONS

Model Number	GM-12
Max Wattage	250W
Input	120-277VAC
Output	120-277VAC
Dimming	Triac



COLOR CONTROLLERS

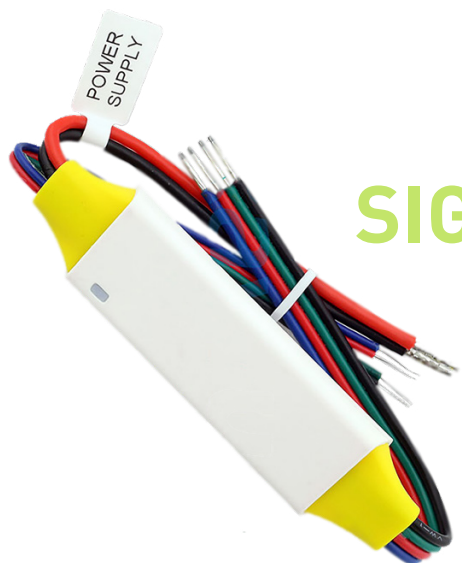
Rio COMPARISON GUIDE



3 LEVELS

illuminFx offers three levels of color changing controller options.

	Simple Control Color Select	Advanced Control Color Select +	Complete Control Spectrum Select
SPECS	Great for: Simple installations	Great for: Users who want WiFi	Great for: Large lighting applications and/ or those that require full control
RF Remote	✓	✓ optional	
Full RGB Control	✓	✓	✓
RGBW Control		✓	✓
Wall Panel		✓ optional	✓
Control Multiple Zones		✓	✓
Can control different types of lights (RGB, RGBW, CT, Dim)		✓	✓
WiFi APP		✓	✓
Integrate with Router		✓	✓
Create basic, simple scenes with APP		✓	✓
Calendar and scheduling function			✓
Full software integration - create complex lighting scenes			✓
DMX Functionality			✓
	Part # CS200	Part # CSP104	Part # SS-303



SIGNAL AMPLIFIER

Single Color / RGB

SA



SIGNAL AMPLIFIER

IlluminFx's SA Signal Amplifiers are used with the LEVEL SELECT, COLOR SELECT and COLOR SELECT PLUS systems.

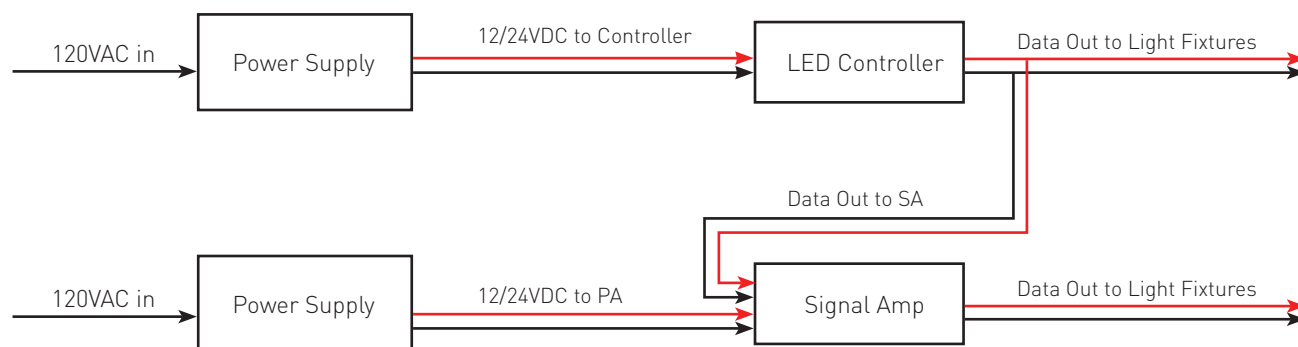
WHAT THEY DO

Signal amplifiers take the signal from the lighting controller (LEVEL SELECT, COLOR SELECT, or COLOR SELECT PLUS) and duplicate that signal to additional lighting fixtures. It makes it so that a job with more than one power supply can have all the LED fixtures doing the same thing at the same time.

WHEN THEY ARE NEEDED

Signal amplifiers are needed when the wattage of the light fixtures on a job exceeds the wattage limits of a single power supply or of the lighting controller itself (LEVEL SELECT, COLOR SELECT or COLOR SELECT PLUS). Basically, if more than one power supply is needed to power the entire system, then a signal amplifier is necessary.

SAMPLE WIRING DIAGRAM



Voltage	5-24VDC
Peak Output Power	144W@12V 288W@24V
Peak Output Current	5A per channel
Efficiency	>97%
Input Voltage Swing	±3V
Components	SMD parts Gold plated double sided FR-4 PCB
Certifications	RoHS
Cable Length	4.72"
Body Size	3.4" x 0.82" x 0.33"
Working Temp	-22°-158°F
LED Connector	SINGLE COLOR Input Power : Red / Black Input Data : Red / Black Output Data : Red / Black RGB Input Power : Red / Black Input Data : Red / Green / Blue / Black Output Data : Red / Green / Blue / Black
Part Numbers	SINGLE COLOR : SA-201 RGB : SA-203





SPECTRUM SELECT

Full DMX Control

SS



SPECTRUM SELECT

The Spectrum Select SS-303 DMX Controller had been designed to offer the perfect lighting control solution for almost any environment. A DMX signal is sent from the controller to either DMX Decoders or Smart DMX Fixtures offered by IlluminFx. You can control each fixture independently or together, and program almost any lighting program you can imagine with the ESA Pro Software.

SS-303 Wall Panel

The touch sensitive wall panel controller allows for easy on the fly adjustment of the lighting system connected to the SS-303. You can easily cycle through programs, adjust speed, and brightness, and even choose the color of the lighting system.



SPECIFICATIONS

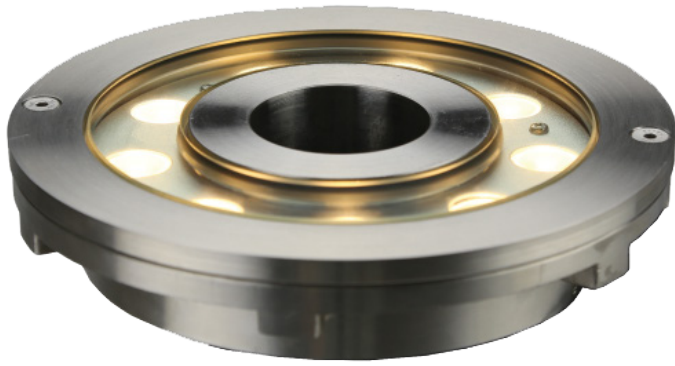
Voltage	6VDC 0.6A or POE
DMX 512 (x2)	128 to 1024 DMX channels
Computer Access	Mini USB
WiFi Control	iPhone, Android, and Tablet support
Other Ports	RS232, Clock, 8 dry contact ports, 5V Ouput relay
Memory	microSD card
Working Temp	14°F-113°F
Mounting	Standard single or double gang box
Dimensions	146 x 106 x 11mm
Weight	247g
Standards	EC, EMC, ROHS, ETL

WiFi Control

With the Spectrum Select system, you can also control your lights from you smartphone or tablet with the free and intuitive Easy Remote app.



U N D E R W A T E R
F I X T U R E S



RIO | oslo

SATURN

12/20W LED

FL6

RoHS
Compliant

CE

IP68
OUTDOOR RATED

INTERNAL DMX

SATURN FL6 :

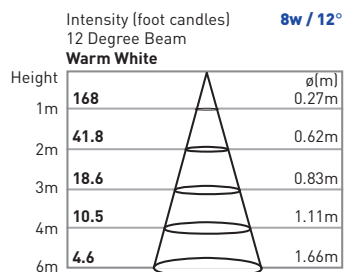
The SATURN FL6 Series of LED Fountain Fixtures are specifically designed to be used on outdoor fountains. The FL6 is designed for wet fountain applications. Simply attach the ring to a fountain nozzle and it will evenly illuminate the fountain jet.

- 3-year warranty
- Long life : 30,000 hours | Power Factor : ≥ 0.9
- Internal integrated DMX for easy wiring and installation

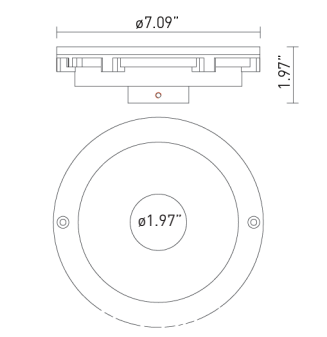
SPECIFICATIONS

Housing & Trim Ring	Stainless steel 304
Cable Gland	IP68 imported
Environment	up to 5m depth
Cover Lens	10mm thick tempered glass
LED	CREE High Powered w/optical lens
Driver	Single color —1 circuit RGB 3in1 —3 circuits
Cord	OSLO Warm White —(1)18/2 @ 6ft RIO RGB —(2)18/2 @ 6ft
Cord Termination	OSLO Warm White —(1)Tinned wire ends RIO RGB —(2)Tinned wire ends
Mounting Hole	$\phi 1.97''$

PHOTOMETRICS



DIMENSIONS



Model Number	LED Array	Input Voltage	Color	Beam Angle	Cord Termination	Max Power	LUM Flux
FL6-L91-1AWA-S-06HW	9 x 1W	12VAC	Warm White 3000K	12°	2-wire	12W	810
FL6-L91-1ACA-S-06HW	9 x 1W	12VAC	Cool White 6000K	12°	2-wire	12W	990
FL6-L92-2DXA-S-06HW	9 x 2W	24VDC	RGB	12°	(2) 2-wire	26W	Variable
FL6-L92-1AWA-S-06HW	9 x 2W	12VAC	Warm White 3000K	12°	2-wire	20W	1606
FL6-L92-1ACA-S-06HW	9 x 2W	12VAC	Cool White 6000K	12°	2-wire	20W	1890

oslo



MANTA RAY

3/4W LED

MR1



MANTA RAY MR1 :

The MANTA RAY MR1 underwater fixture is a long lasting, high quality composite LED housing. With IFXs Centinel LED Lamps this fixture outputs highly efficient light in a compact package.

- Long life : 50,000 hours

SPECIFICATIONS

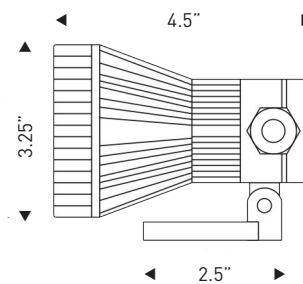
- High brightness
- Low power consumption (3 / 3.8W)
- Beam angles: 40 or 60 degrees
- Color Temp : Warm (3000K) or Cool (6500K) White
- Constant current circuit
- Long Life : 50,000 hours
- High efficiency : 70 lumens per watt
- Completely submersible (IP68 rating)
- No UV radiation
- Easy to install

CENTINEL LAMPS

*appearance of lamps may change



DIMENSIONS

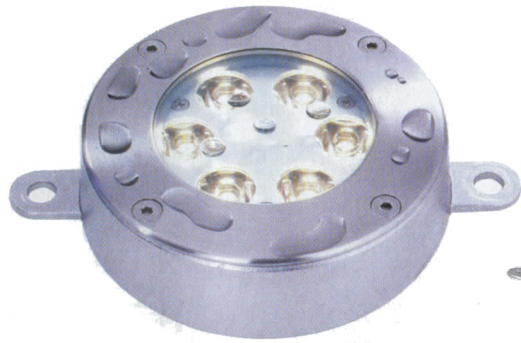


Model Number	Wattage	Input Voltage	Color	Beam Angle	Cord Termination	Max Power	LUM Flux
MR1-W	3.8W	12VAC	Warm White 3000K	60°	2-wire	4W	200
MR1-C	3W	12VAC	Cool White 6500K	60°	2-wire	3W	310
MR1-W4	3W	12VAC	Warm White 3000K	40°	2-wire	3W	240

MANTA RAY

12W LED

MR3



MR3-BRACKET
optional mounting bracket



SPECIAL ORDER
allow extended lead time

MANTA RAY MR3 :

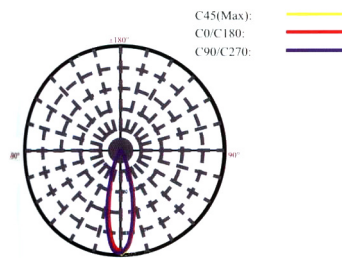
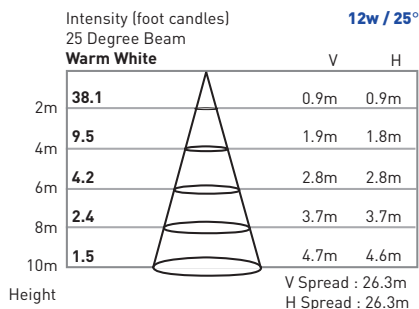
The MANTA RAY MR3 underwater fixture is a low profile waterproof fixture. Its slim design makes it a perfect choice for underwater applications where water depth is minimal. Though it comes in a small package, this LED fixture puts out a lot of light output, and is very easy to install. Use the optional mounting bracket (MR3-BRACKET) can be used for more installation options.

- 3-year warranty
- Long life : 50,000 hours
- NOTE : MUST BE INSTALLED UNDERWATER to prevent light from overheating

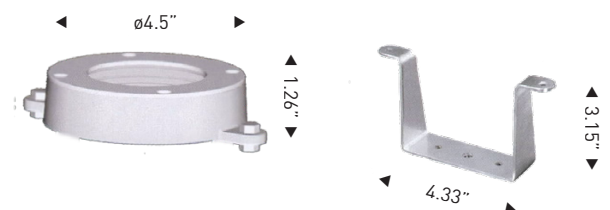
SPECIFICATIONS

Housing	Stainless steel
Trim Ring	316L* stainless steel
Glass	Step-tempered clear glass T=8mm
Lens	Optical lens efficiency ≥85%
Cable Gland	IP68 PG-11 copper and nickel coated
Waterproof Seal	EPDM Gasket
Loading Capacity	Exert force area of $\phi 10=1470.5$ lbs
Driver	Single color —1 circuit RGB 3in1 —3 circuits
Cord	20 ft
Cord Termination	OSLO WHITE —Tinned wire ends RIO RGB —Male IP68 Quick-Connect
Environment	Water temperature : -4°~104°F Less than 1 meter depth

PHOTOMETRICS



DIMENSIONS



Model Number	LED Array	Input Voltage	Color	Beam Angle	Cord Termination	Max Power	LUM Flux
MR3-L62-1AWB-S-20HW	6 x 2W	12VAC	Warm White 3000K	25°	2-wire	13W	520
MR3-L62-1ACB-S-20HW	6 x 2W	12VAC	Cool White 6000K	25°	2-wire	13W	605
MR3-L62-2DXB-S-201M	6 x 2W	24VDC	RGB	25°	Male QC Plug	16.8W	Variable



MANTA RAY

6W LED

MR4



STAND-MR4
optional tripod stand



MANTA RAY MR4 :

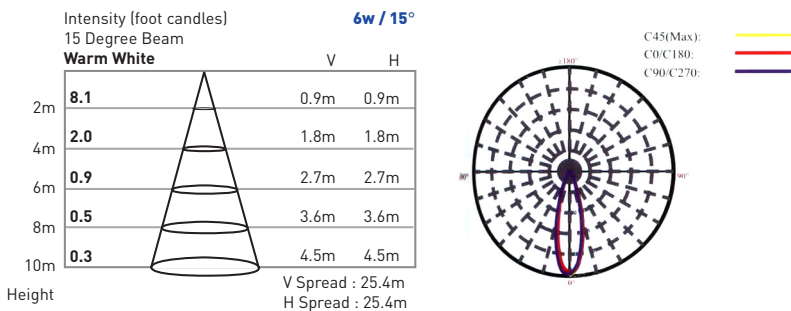
The MANTA RAY MR4 underwater fixture is a low profile spot light waterproof fixture. Its slim design makes it a perfect choice for smaller underwater jobs. Though it comes in a small package, this LED fixture puts out a lot of light output, and is very easy to install. Use the optional tripod stand (STAND-MR4) for more installation flexibility.

- 3-year warranty
- Long life : 50,000 hours
- NOTE : MUST BE INSTALLED UNDERWATER to prevent light from overheating

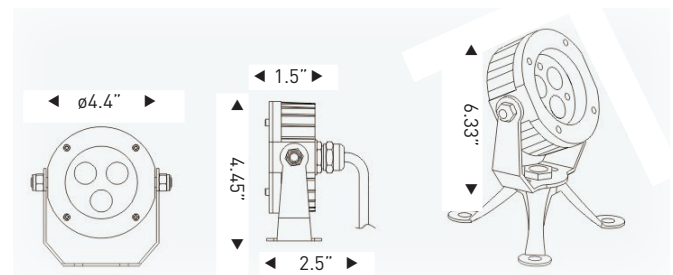
SPECIFICATIONS

Housing & Bracket	316# stainless steel
Front Cover	316L# stainless steel
Glass	Step-tempered clear glass T=5mm
Cable Gland	IP68 PG-11 copper and nickel coated
Waterproof Seal	Molded shaped silicon seal under front cover Silicon glue encasing LEDs, lens and PCB
PCB	Coefficient of heat conductivity ≥ 2.0w/mk
Lens	Optical lens efficiency ≥ 85%
Driver	Single color —1 circuit RGB 3in1 —3 circuits
Cord	20 ft
Cord Termination	OSLO WHITE —Tinned wire ends RIO RGB —Male IP68 Quick-Connect
Environment	Water temperature : -4°~104°F Less than 1 meter depth

PHOTOMETRICS



DIMENSIONS

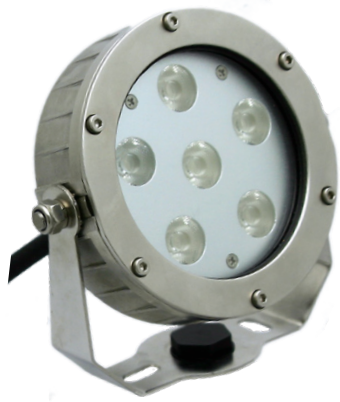


Model Number	LED Array	Input Voltage	Color	Beam Angle	Cord Termination	Max Power	LUM Flux
MR4-L32-1AWA-S-20HW	3 x 2W	12VAC	Warm White 3000K	15°	2-wire	5.8W	272
MR4-L32-1ACA-S-20HW	3 x 2W	12VAC	Cool White 6000K	15°	2-wire	5.8W	321
MR4-L32-2DXB-S-201M	3 x 2W	24VDC	RGB	25°	Male QC Plug	7.7W	Variable

MANTA RAY

12W LED

MR5



STAND-MR5
optional tripod stand



SPECIAL ORDER (RGB only)
allow extended lead time

MANTA RAY MR5 :

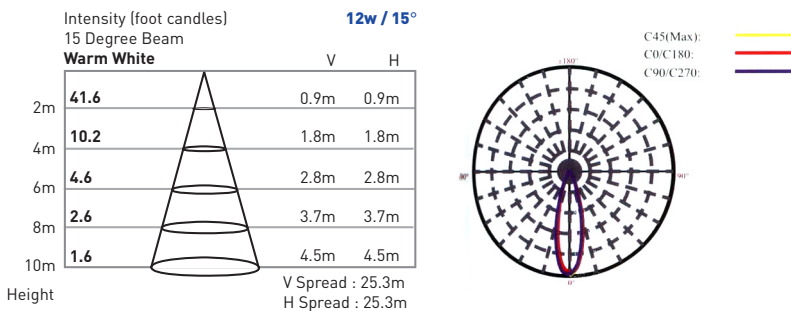
The MANTA RAY MR5 underwater line of fixtures are perfect for medium size jobs. Smaller size means it can be used in tight quarters, and its narrow beam make it perfect for spot lighting jobs. Use the optional tripod stand (STAND-MR5) for more installation flexibility.

- 3-year warranty
- Long life : 50,000 hours
- NOTE : MUST BE INSTALLED UNDERWATER to prevent light from overheating

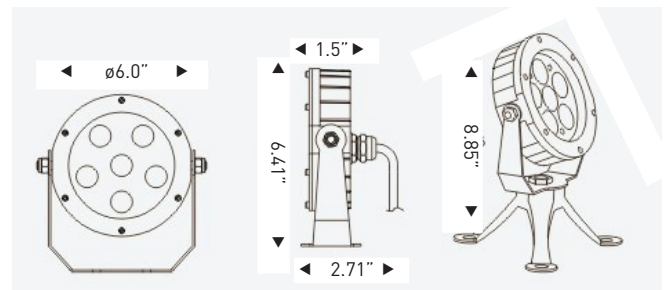
SPECIFICATIONS

Housing & Bracket	316# stainless steel
Front Cover	316L# stainless steel
Glass	Step-tempered clear glass T=5mm
Cable Gland	IP68 PG-11 copper and nickel coated
Waterproof Seal	Molded shaped silicon seal under front cover Silicon glue encasing LEDs, lens and PCB
PCB	Coefficient of heat conductivity ≥ 2.0w/mk
Lens	Optical lens efficiency ≥ 85%
Driver	Single color —1 circuit RGB 3in1 —3 circuits
Cord	20 ft
Cord Termination	OSLO WHITE —Tinned wire ends RIO RGB —Male IP68 Quick-Connect
Environment	Water temperature : -4°~104°F Less than 1 meter depth

PHOTOMETRICS



DIMENSIONS



Model Number	LED Array	Input Voltage	Color	Beam Angle	Cord Termination	Max Power	LUM Flux
MR5-L62-1AWA-S-20HW	6 x 2W	12VAC	Warm White 3000K	15°	2-wire	11.2W	520
MR5-L62-1ACA-S-20HW	6 x 2W	12VAC	Cool White 6000K	15°	2-wire	11.2W	600
MR5-L62-2DXB-S-201M	6 x 2W	24VDC	RGB	25°	Male QC Plug	17.3W	Variable

→Table of Contents



MANTA RAY

24W LED

MR6



STAND-MR6
optional tripod stand



MANTA RAY MR6 :

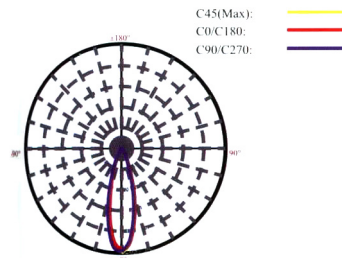
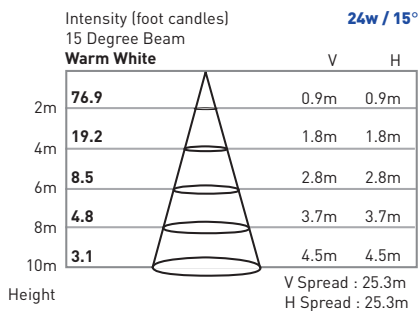
The MANTA RAY MR6 underwater fixtures are a high powered spot light solution. Inside a relatively small package is housed a lot of light output power. Perfect for those larger lighting jobs such as large fountains, waterfalls and ponds. Use the optional tripod stand (STAND-MR6) for more installation flexibility.

- 3-year warranty
- Long life : 50,000 hours
- NOTE : MUST BE INSTALLED UNDERWATER to prevent light from overheating

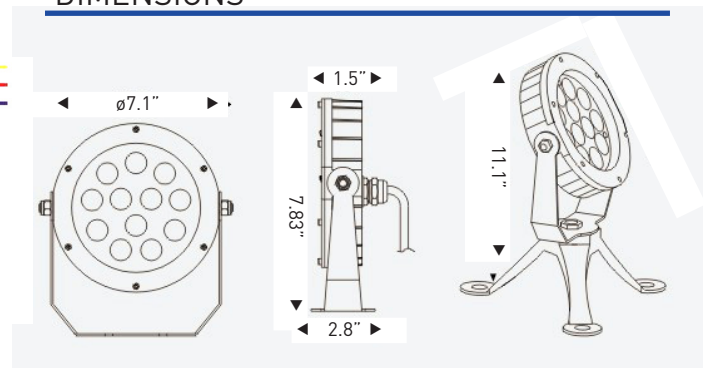
SPECIFICATIONS

Housing & Bracket	316# stainless steel
Front Cover	316L# stainless steel
Glass	Step-tempered clear glass T=5mm
Cable Gland	IP68 PG-11 copper and nickel coated
Waterproof Seal	Molded shaped silicon seal under front cover Silicon glue encasing LEDs, lens and PCB
PCB	Coefficient of heat conductivity ≥ 2.0w/mk
Lens	Optical lens efficiency ≥ 85%
Driver	Single color —1 circuit RGB 3in1 —3 circuits
Cord	20 ft
Cord Termination	OSLO WHITE —Tinned wire ends RIO RGB —Male IP68 Quick-Connect
Environment	Water temperature : -4°~104°F Less than 1 meter depth

PHOTOMETRICS



DIMENSIONS

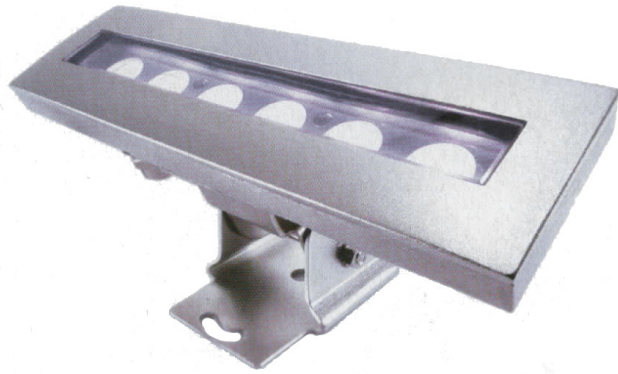


Model Number	LED Array	Input Voltage	Color	Beam Angle	Cord Termination	Max Power	LUM Flux
MR6-L122-2DWA-S-20HW	12 x 2W	24VDC	Warm White 3000K	15°	2-wire	25W	950
MR6-L122-2DCA-S-20HW	12 x 2W	24VDC	Cool White 6000K	15°	2-wire	25W	1219
MR6-L122-2DXB-S-201M	12 x 2W	24VDC	RGB	25°	Male QC Plug	33.6W	Variable

MANTA RAY

12W LED

MR7



SPECIAL ORDER
allow extended lead time

MANTA RAY MR7 :

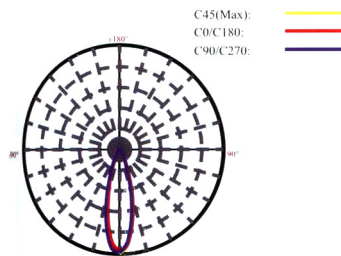
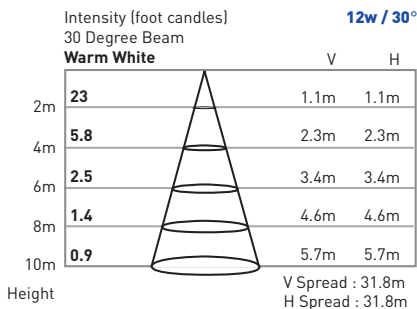
The MANTA RAY MR7 underwater fixtures is a linear articulating LED fixture. Its design allows for a wider beam spread for jobs where more of a flood type fixture is required. The mounting bracket allows for easy angled adjustments.

- 3-year warranty
- Long life : 50,000 hours
- NOTE : MUST BE INSTALLED UNDERWATER to prevent light from overheating

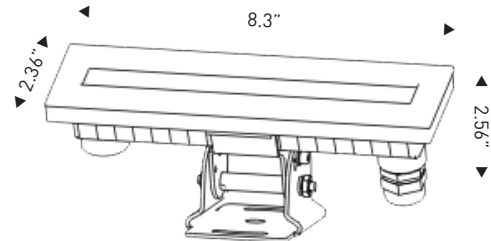
SPECIFICATIONS

Housing & Bracket	316# stainless steel
Front Cover	316L# stainless steel
Glass	Step-tempered clear glass T=5mm
Cable Gland	IP68 PG-11 copper and nickel coated
Waterproof Seal	Molded shaped silicon seal under front cover Silicon glue encasing LEDs, lens and PCB
PCB	Coefficient of heat conductivity ≥ 2.0w/mk
Lens	Optical lens efficiency ≥ 85%
Driver	Single color —1 circuit RGB 3in1 —3 circuits
Cord	20 ft
Cord Termination	OSLO WHITE —Tinned wire ends RIO RGB —Male IP68 Quick-Connect
Environment	Water temperature : -4°~104°F Less than 1 meter depth

PHOTOMETRICS



DIMENSIONS



Model Number	LED Array	Input Voltage	Color	Beam Angle	Cord Termination	Max Power	LUM Flux
MR7-L62-1AWB-S-20HW	6 x 2W	12VAC	Warm White 3000K	30°	2-wire	11.3W	520
MR7-L62-1ACB-S-20HW	6 x 2W	12VAC	Cool White 6000K	30°	2-wire	11.3W	605
MR7-L62-2DXB-S-201M	6 x 2W	24VDC	RGB	30°	Male QC Plug	14.9W	Variable





underwater

RIO | oslo

MANTA RAY

8/18W LED

MR8



INTERNAL DMX

MANTA RAY MR8 :

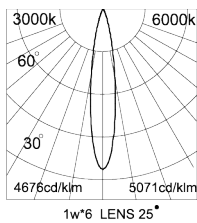
The MANTA RAY MR8 underwater fixtures is a round articulating LED fixture. Its design allows it to be used as an underwater spot light for water features such as fountains and waterfalls. The mounting bracket allows for easy angled adjustments.

- 3-year warranty
- Long life : 50,000 hours
- NOTE : MUST BE INSTALLED UNDERWATER to prevent light from overheating

SPECIFICATIONS

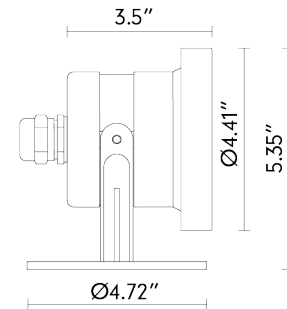
Housing & Trim Ring	Stainless steel 304
Cable Gland	IP68 imported
Environment	up to 5m depth
Cover Lens	10mm thick tempered glass
LED	CREE High Powered w/optical lens
Driver	Single color —1 circuit RGB 3in1 —3 circuits
Cord	OSLO Warm White —(1)18/2 @ 6ft RIO RGB —(2)18/2 @ 6ft
Cord Termination	OSLO Warm White —(1)Tinned wire ends RIO RGB —(2)Tinned wire ends

PHOTOMETRICS



Ø(m)	h(m)	E(lx) 6000k	E(lx) 3000k
1.66	6	46	36
1.11	4	105	80
0.83	3	186	142
0.62	2	418	320
0.27	1	1675	1278

DIMENSIONS



Model Number	LED Array	Input Voltage	Color	Beam Angle	Cord Termination	Max Power	LUM Flux
MR8-L615-1AWB-S-06HW	6 x 1.5W	12VAC	Warm White 3000K	25°	2-wire	8W	540
MR8-L615-1ACB-S-06HW	6 x 1.5W	12VAC	Cool White 6000K	25°	2-wire	8W	660
MR8-L63-2DXB-S-06HW	6 x 3W	24VDC	RGB	25°	(2) 2-wire	19W	Variable



illuminfx

illuminFx reserves the right to make changes to specifications at any time with or without notice

I N G R A D E
F I X T U R E S



Outdoor & Wet Location Rated | Dimmable | 3 Year Warranty

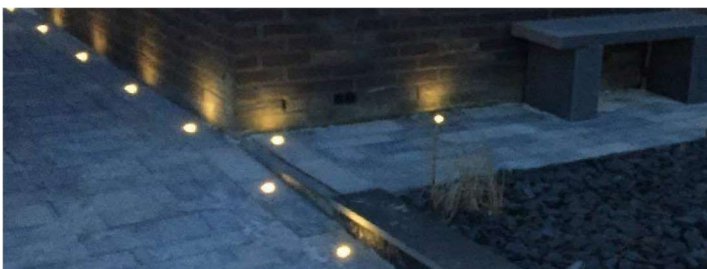
Product Code	Wattage	Voltage	Beam	Color Temperature	Lumens
IGMA-3-1A-FL25-8**	3W	12VAC	25°	WW 2700K / 3000K / 4000K / CW 5000K	275
IGMA-3-1D-FR90-***	3W	12V or 24VDC	90°	WW 2700K / 3000K / 4000K / CW 5000K / RGBW	260

Features

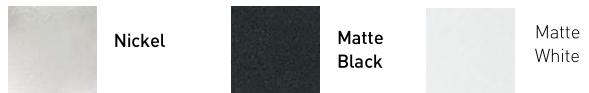
- > Walk on / drive on tested
- > Outdoor rated 3W LED fixture uses power LED technology
- > Multiple recessed trim options
- > -40°F to +185°F operating temperature
- > Use standard pvc pipe for concrete
- > Stainless steel housing
- > +50,000 hour lifespan
- > Includes LED light engine with trim and inground housing
- > Purchase together or separate

Applications

Concrete driveway / Inground / Landscape / Deck & Step

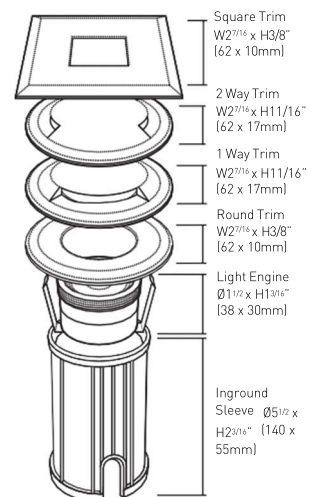


Finishes



Trim Styles Dimensions

Hole cutout size: 1^{3/4}" (44mm)



Ordering Guide

Choice of Finished Product or Parts System. Follow codes accordingly:

Product	Product Code	Color Temperature	Trim Style	Finish
3W IGMA Finished Product	IGMA-3-**-####-XXX	2700K (827) / 3000K (830) 4000K (840) / 5000K (850) RGBW (Z30)	Round (R), Square (SQ or SR), Scoop (SCP), 1 Way (SL1), 2 Way (SL2), 3 Way (SL3)	Nickel (NK) Matte Black (MB) Matte White (MW)

** = Input Voltage (1A=12VAC, 1D=12VDC), #### = Beam Angle, XXX = Color Temperature

Parts System:

Image	Product	Product Code	Color Temperature	Finish
	3W Light Engine	IGMA-3-1A-FL25-8**	2700K (827) / 3000K (830) 4000K (840) / 5000K (850)	-
	Frosted 3W Light Engine	IGMA-3-1D-FR90-***	2700K (827) / 3000K (830) 4000K (840) / 5000K (850) RGBW (Z30)	-
	Round Stainless Steel	IGMA-T-R-S-##	-	Nickel (NK) Matte Black (MB) Matte White (MW)
	Square Stainless Steel	IGMA-T-SQ-S-## IGMA-T-SR-S-##	-	Nickel (NK) Matte Black (MB) Matte White (MW)
	Scoop Stainless Steel	IGMA-T-SCP-S-##	-	Nickel (NK) Matte Black (MB) Matte White (MW)
	1 Way Stainless Steel	IGMA-T-SL1-S-##	-	Nickel (NK) Matte Black (MB) Matte White (MW)
	2 Way Stainless Steel	IGMA-T-SL2-S-##	-	Nickel (NK) Matte Black (MB) Matte White (MW)
	3 Way Stainless Steel	IGMA-T-SL3-S-##	-	Nickel (NK) Matte Black (MB) Matte White (MW)
	Inground Housing Good for in dirt or concrete	IGMA-Sleeve	-	Black
	Concrete Housing Our light fits inside standard 2 1/2" PVC couplers, good for concrete pouring. Not included			Grey

***: Color Temperature; ##: Trim Color (finish)



RIO | oslo

CASPER

3W LED

IG2



Mounting Sleeve
included with each IG2

CASPER IG2 :

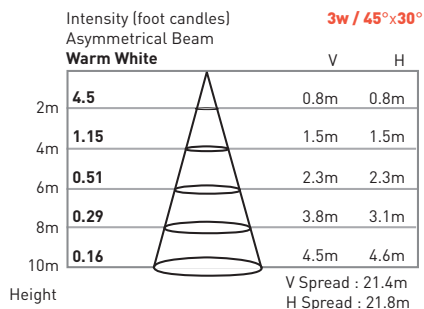
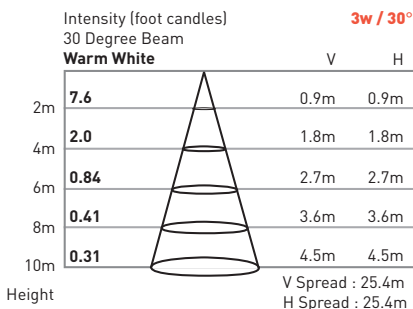
The CASPER IG2 Series of LED In Grade fixtures are perfect for any hardscape illumination application. This compact, yet powerful 3W fixture is great for retaining walls, columns, and even small plants. Comes with optional PVC mounting sleeve.

- 5-year warranty
- Long life : 50,000 hours

SPECIFICATIONS

Housing	Die cast aluminum, gray powder coat
Trim Ring	316 st stainless steel
Glass	Step-tempered clear glass T=7mm
Loading Capacity	Exert force of $\varnothing\frac{2}{s}=1362$ pounds
Lens	Optical lens efficiency $\geq 85\%$
Cable Gland	IP68 PG-9 copper and nickel coated
Waterproof Seal	Molded shaped double silicone seal
LED	IQ power type
Driver	Single color —1 circuit RGB 3in1 —3 circuits
Cord	6 ft
Cord Termination	OSLO Warm White —Tinned wire ends RIO RGB —Male IP68 Quick-Connect
Mounting Sleeve	011 PVC

PHOTOMETRICS



DIMENSIONS

Model Number	LED Array	Input Voltage	Color	Beam Angle	Cord Termination	Max Power	LUM Flux
IG2-L13-1AWC-S-06HW	1 x 3W	12VAC	Warm White 3000K	30°	2-wire	2.5W	65
IG2-L13-1AWW-S-06HW	1 x 3W	12VAC	Warm White 3000K	ASY 45°x35°	2-wire	2.5W	65
IG2-L13-2DXC-S-061M	1 x 3W	24VDC	RGB	30°	Male QC Plug	3.5W	Variable
IG2-L13-2DXW-S-061M	1 x 3W	24VDC	RGB	ASY 45°x35°	Male QC Plug	3.5W	Variable



in grade

RIO | oslo

CASPER

6W LED

IG3



CASPER IG3 :

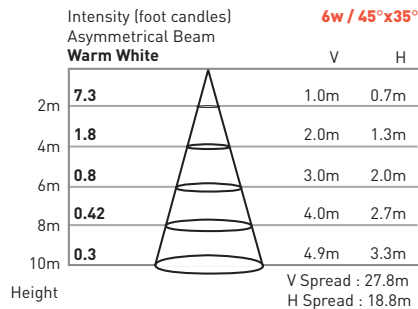
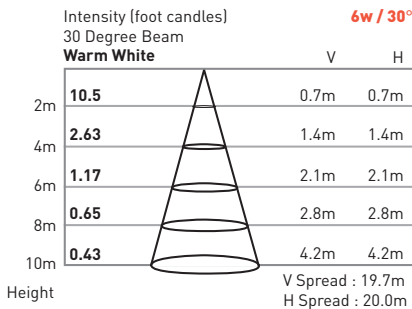
The CASPER IG3 Series of LED In Grade fixtures are perfect for any hardscape illumination application. This compact, yet powerful 6W fixture is great for pergolas, columns, building facades, and different types of plants.

- 5-year warranty
- Long life : 50,000 hours

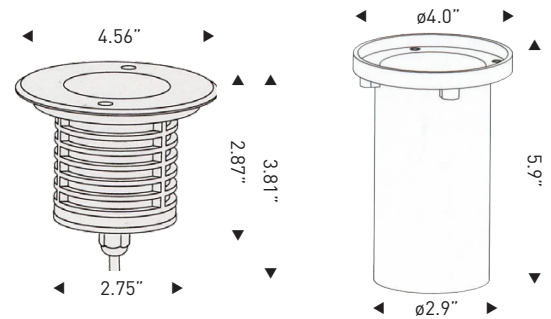
SPECIFICATIONS

Housing	Die cast aluminum, gray powder coat
Trim Ring	316# stainless steel
Glass	Step-tempered clear glass T=8mm
Loading Capacity	Exert force of $\varnothing\frac{1}{2}$ =2021 pounds
Cable Gland	IP68 PG-9 PVC
Waterproof Seal	Molded shaped double silicone seal
LED	T0 power type
Driver	Single color —1 circuit RGB 3in1 —3 circuits
Cord	20 ft
Cord Termination	OSLO Warm White —Tinned wire ends RIO RGB —Male IP68 Quick-Connect
Mounting Sleeve	015 PVC

PHOTOMETRICS



DIMENSIONS



Model Number	LED Array	Input Voltage	Color	Beam Angle	Cord Termination	Max Power	LUM Flux
IG3-L32-1AWC-S-20HW	3 x 2W	12VAC	Warm White 3000K	30°	2-wire	5.6W	376
IG3-L32-1AWW-S-20HW	3 x 2W	12VAC	Warm White 3000K	ASY 45°x35°	2-wire	5.6W	376
IG3-L32-2DXC-S-201M	3 x 2W	24VDC	RGB	30°	Male QC Plug	7.7W	Variable
IG3-L32-2DXW-S-201M	3 x 2W	24VDC	RGB	ASY 45°x35°	Male QC Plug	7.7W	Variable



in grade



R10 | oslo

BILLINGS

6W LED

IG3a



BILLINGS IG3a :

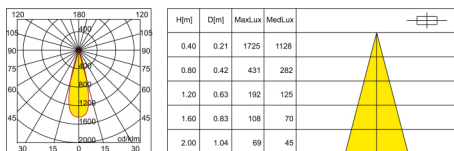
The BILLINGS IG3a Series of LED In Grade fixtures are the industry's first integrated, adjustable beam luminaire. This allows for tremendous flexibility for lighting applications. The IG3a can be adjusted up to 20° off of center. 3in1 RGB has internal DMX for easy wiring. Long life : 50,000 hours

- 5 year warranty

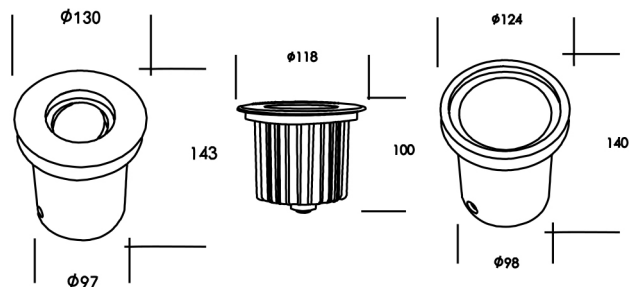
SPECIFICATIONS

Housing	Powder coated aluminum
Trim Ring	Stainless steel #316 / #304
Operating Temp	14-113°F
Loading Capacity	Exert force ø10mm = 1322 pounds
Mounting Sleeve	PVC Plastic
Input Voltage	Single Color —100-277VAC / 12VAC RGB 3in1 —24VDC
Max. Wattage	Single color —4 watts RGB 3in1 —8 watts
Lumens	70 lumens per watt / CRI 80
Cable Length	3 feet

PHOTOMETRICS



DIMENSIONS



ORDERING GUIDE

example product code: IG3a-2X-SP15-S-DMX

MODEL	INPUT VOLTAGE [†]	COLOR	BEAM SPREAD	FINISH	OPTIONS ^{**}
IG3a	2	X	SP15	S	DMX
	1 - 12VAC	30 - 3000K	SP25 - 5°		DMX - Internal DMX Decoder
	2 - 24VDC	X - RGB	FL40 - 15°		
	U - 100-277VAC				

[†]Single color available in 100-277VAC or 12VAC and RGB only available in 24VDC

^{**}DMX for RGB fixtures only





in grade

RIO | oslo

CASPER

12W LED

IG4



CASPER IG4 :

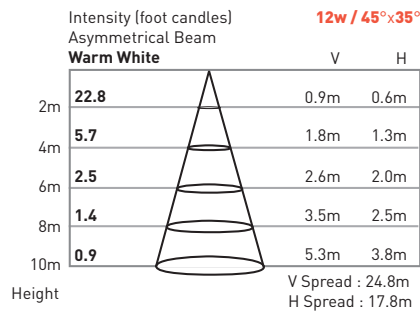
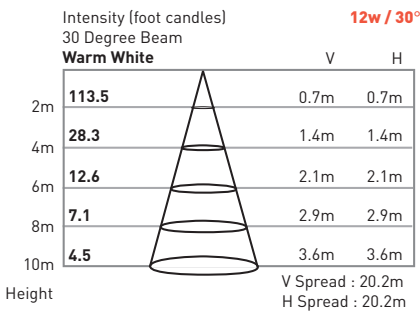
The CASPER IG4 Series of LED In Grade fixtures are perfect for any hardscape illumination application. This compact, yet powerful 12W fixture is great for larger wall washing jobs.

- 5-year warranty
- Long life : 50,000 hours

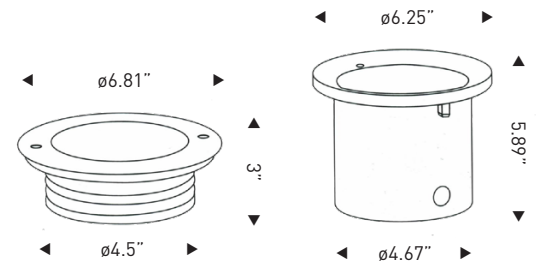
SPECIFICATIONS

Housing	Die cast aluminum, gray powder coat
Trim Ring	316# stainless steel
Glass	Step-tempered clear glass T=8mm
Loading Capacity	Excert force of $0\frac{2}{5}=2467$ pounds
Cable Gland	IP68 PG-9 PVC
Waterproof Seal	Molded shaped double silicone seal
LED	Single color — CREE XP-E RGB 3in1 —TQ power
Driver	Single color —1 circuit RGB 3in1 —3 circuits
Cord	20 ft
Cord Termination	OSLO Warm White —Tinned wire ends RIO RGB —Male IP68 Quick-Connect
Mounting Sleeve	016 PVC

PHOTOMETRICS



DIMENSIONS



Model Number	LED Array	Input Voltage	Color	Beam Angle	Cord Termination	Max Power	LUM Flux
IG4-L62-1AWC-S-20HW	6 x 2W	12VAC	Warm White 3000K	30°	2-wire	13.5W	783
IG4-L62-1AWW-S-20HW	6 x 2W	12VAC	Warm White 3000K	ASY 45°x35°	2-wire	13.5W	783
IG4-L62-2DXC-S-201M	6 x 2W	24VDC	RGB	30°	Male QC Plug	16.8W	Variable
IG4-L62-2DXW-S-201M	6 x 2W	24VDC	RGB	ASY 45°x35°	Male QC Plug	16.8W	Variable





COB Oslo

in grade

AUSTIN

7W LED COB

IG8B

FEATURES

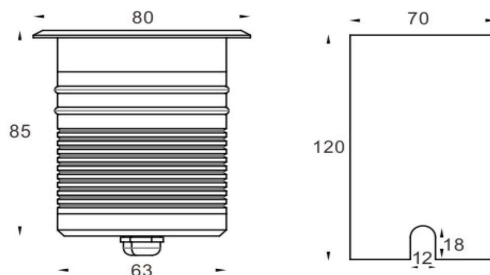
Special housings and high quality optical components designed specifically for demanding visual tasks to provide enhanced visual comfort, compact architectural and stylish envelope for a variety of lighting applications, ideal for illuminating medium sized buildings and objects.

- CREE COB LEDs free of color shift and distortion
- Unique PCB layout ensures LED modules are optimally matched to the optical system
- Corrosion resistant ADC12# Diecast aluminum housing to provide thermal conductivity and space between rear of housing and PCB ensure superior heat conduction
- Stainless Steel screws
- high strength 4mm toughened glass >92% transmittance

SPECIFICATIONS

Housing	DieCast Aluminum grey powder coat, T=60-80µm Adhesion of ISO Class 1/ASTM class 4B High Temp painting
Trim Ring	SUS 316 Stainless Steel
Glass	4mm high strength tempered
Loading Capacity	
Reflector	PAR 10°/23°/38°
Color	2700/3000/5000/6000K
CRI	90+
Power	7W, 12VAC input
LED	Cree COB

DIMENSIONS

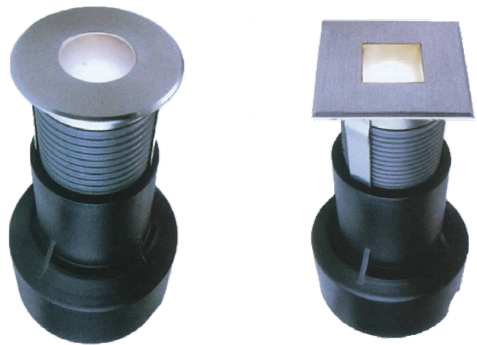


Physical Dimension(MM)

Glare Control Options



Model Number	Wattage	Input Voltage	CRI	Color	Beam	Trim Ring	Wire	Lumens
IG8B-07-1A-927-38-S-03HW	7	12VAC	90+	2700	Warm White 38°	316SS	3 ft	560
IG8B-07-1A-930-38-S-03HW	7	12VAC	90+	3000	Warm White 38°	316SS	3 ft	560



oslo

TUCSON

.5/2W LED

IG13



TUCSON IG13 :

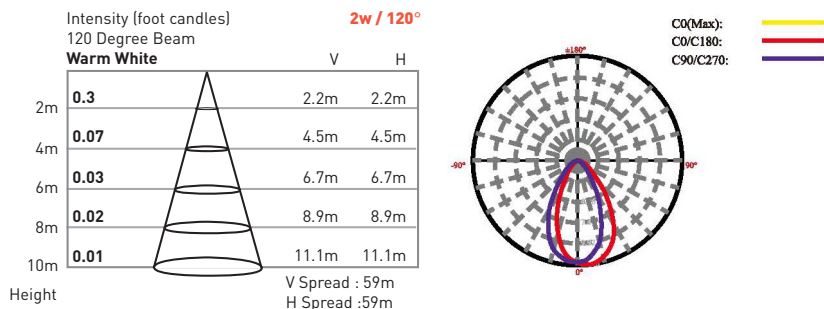
The TUCSON IG13 Series of LED In Grade fixtures are great marker lights for any location. These compact, wide beam spread LED fixtures put out a nice soft indirect light that makes them perfect to lay down for pathways to mark out the path. Comes with optional PVC mounting sleeve.

- 5-year warranty
- Long life : 50,000 hours

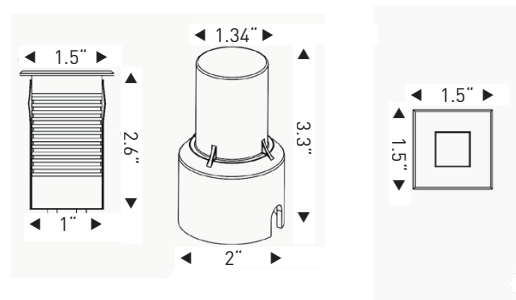
SPECIFICATIONS

Housing	Die cast aluminum, gray powder coat
Trim Ring	316# stainless steel
Glass	Step-tempered clear glass T=5mm
Loading Capacity	Exert force of Ø $\frac{1}{2}$ =250 pounds
Lens	Optical lens efficiency \geq 85%
Cable Gland	IP68 PG-9 copper and nickel coated
Waterproof Seal	Molded shaped double silicone seal
LED	0.5W —CREE XP-E 2W —OSRAM
Driver	Single color —1 circuit
Cord	6 ft
Cord Termination	OSLO Warm White —Tinned wire ends
Mounting Sleeve	032 PVC

PHOTOMETRICS

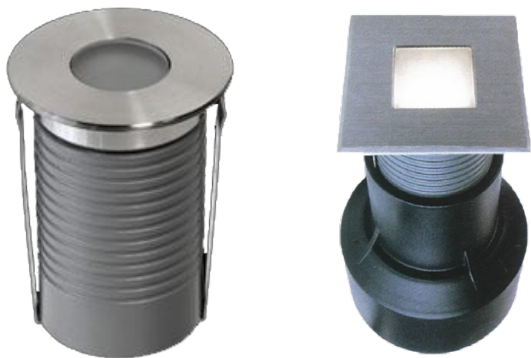


DIMENSIONS



Model Number	LED Array	Input Voltage	Color	Beam Angle	Trim Ring	Max Power	LUM Flux
IG13-L1.5-1AWF-S-06HW	1 x .5W	12VAC	Warm White 3000K	120°	Round	0.8W	9.6
IG13S-L1.5-1AWF-S-06HW	1 x .5W	12VAC	Warm White 3000K	120°	Square	0.8W	9.6
IG13-L12-1AWF-S-06HW	1 x 2W	12VAC	Warm White 3000K	120°	Round	2.5W	25
IG13S-L12-1AWF-S-06HW	1 x 2W	12VAC	Warm White 3000K	120°	Square	2.5W	25

in grade



oslo

TUCSON

.5/2W LED

IG14



TUCSON IG14 :

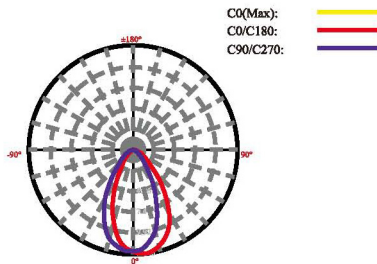
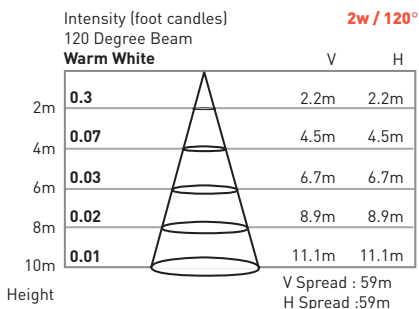
The TUCSON IG14 Series of LED In Grade fixtures are great marker lights for any location. These compact, wide beam spread LED fixtures put out a nice soft indirect light that makes them perfect to lay down for pathways to mark out the path. Comes with optional PVC mounting sleeve.

- 5-year warranty
- Long life : 50,000 hours

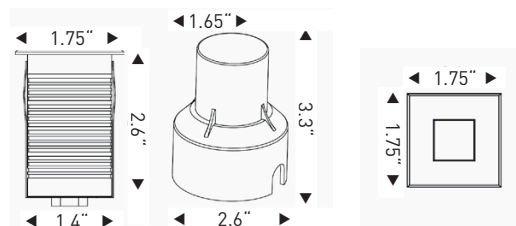
SPECIFICATIONS

Housing	Die cast aluminum, gray powder coat
Trim Ring	316# stainless steel
Glass	Step-tempered clear glass T=5mm
Loading Capacity	Exert force of Ø $\frac{1}{2}$ =250 pounds
Lens	Optical lens efficiency \geq 85%
Cable Gland	IP68 PG-9 copper and nickel coated
Waterproof Seal	Molded shaped double silicone seal
LED	0.5W —CREE XP-E 2W —OSRAM
Driver	Single color —1 circuit
Cord	6 ft
Cord Termination	OSLO Warm White —Tinned wire ends
Mounting Sleeve	032 PVC

PHOTOMETRICS



DIMENSIONS



Model Number	LED Array	Input Voltage	Color	Beam Angle	Trim Ring	Max Power	LUM Flux
IG14-L1.5-1AWF-S-06HW	1 x .5W	12VAC	Warm White 3000K	120°	Round	0.8W	9.6
IG14S-L1.5-1AWF-S-06HW	1 x .5W	12VAC	Warm White 3000K	120°	Square	0.8W	9.6
IG14-L12-1AWF-S-06HW	1 x 2W	12VAC	Warm White 3000K	120°	Round	2.5W	25
IG14S-L12-1AWF-S-06HW	1 x 2W	12VAC	Warm White 3000K	120°	Square	2.5W	25

in grade



R10 | oslo

BILLINGS

15W LED

IG15



BILLINGS IG15 :

The BILLINGS IG15 Series of LED In Grade fixtures are the industry's first integrated, adjustable beam luminaire. This allows for tremendous flexibility for lighting applications. The IG15 can be adjusted up to 15° off of center. 3in1 RGB has internal DMX for easy wiring. Long life : 50,000 hours

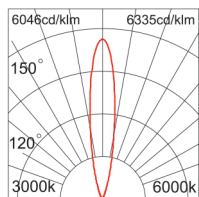
- 5 year warranty

SPECIFICATIONS

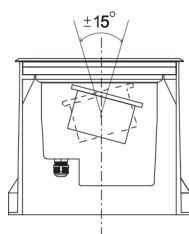
Housing	Die cast aluminum
Trim Ring	Stainless steel
Glass	Step-tempered clear glass
Loading Capacity	4400 pounds
Lens	PMMA Lens
Input Voltage	Single Color —100-277VAC / 12VAC RGB 3in1 —24VDC
Max. Wattage	Single color —14 watts RGB 3in1 —18 watts
Lumens	3000K —1500 lm 4000K —1572 lm 5000K —1680 lm
Cable Length	3 feet

PHOTOMETRICS

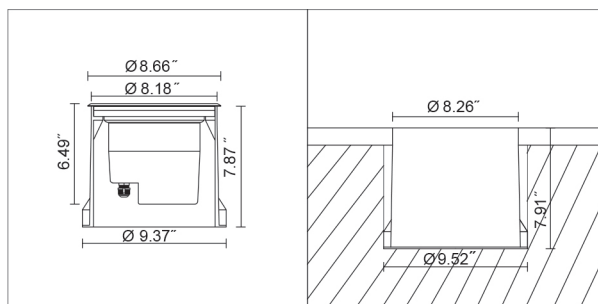
ADJ. DIAGRAM



Ø(m)	E(lx) 3000k	h(m)	E(lx) 6000k
1.62	95	6	112
1.08	213	4	253
0.82	378	3	452
0.53	851	2	1015
0.27	3405	1	4061



DIMENSIONS



ORDERING GUIDE

example product code: IG15-2-X-SP15-S-DMX

MODEL	WATTAGE	INPUT VOLTAGE [†]	CRI [*]	COLOR	BEAM SPREAD	FINISH	OPTIONS ^{**}
IG	15	2	NA	X	SP15	S	DMX
		1 - 12VAC	8 - Ra80	30 - 3000K	SP05 - 5°		DMX - Internal DMX Decoder
		2 - 24VDC	9 - Ra90	40 - 4000K	SP15 - 15°		
		U - 100-277VAC		50 - 5000K	SP25 - 25°		
				X - RGB	FL45 - 45°		
					FL60 - 60°		
					3515 - H35°xV15°		

[†]Single color available in 100-277VAC or 12VAC and RGB only available in 24VDC

^{*}CRI is not applicable for RGB fixtures

^{**}Optional DMX for RGB fixtures only





RIO | oslo

BILLINGS

20W LED

IG20

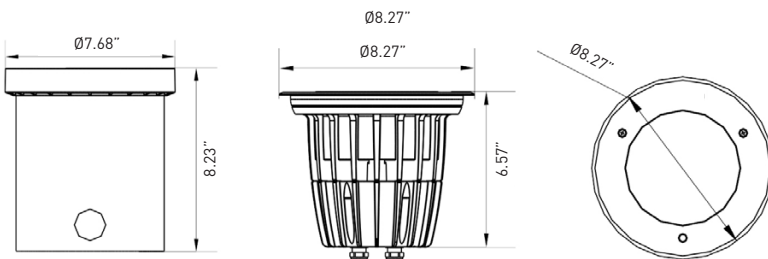


BILLINGS IG20 :

The BILLINGS IG20 is a high efficiency LED ingrade in the IFX line of products. With its advanced COB LED and reflector, this fixture can project efficient light up to 30ft! Available in many static white options as well as full RGBW LEDs for smooth, brilliant color transitions, and interegration with IFX Spectrum Select controls

- 5 year warranty
- Long life : 50,000 hours
- RGBW : Internal DMX operation

DIMENSIONS



ORDERING GUIDE

example product code: IG20-SP15-Z-S

MODEL	WATTAGE	BEAM SPREAD	COLOR TEMP	FINISH
IG	20	SP15	Z	S
		SP15 - 15°	Z - RGBW	
		SP36 - 36°	22 - 2200K	
		FL46 - 46°	27 - 2700K	
		FL70 - 70°	30 - 3000K	
			35 - 3500K	
			40 - 4000K	
			65 - 6500K	

SPECIFICATIONS

Housing	Cast aluminum, double powder coated
Glass	12mm safety glass, IP68 connector
Hardware	Stainless steel
Luminous Efficacy	96.95 lm/W
CRI	Ra>80
Operating Temp	-22°F - 122°F
Projecting Distance	30ft
Available angles	15° / 36° / 46° / 70°
Input voltage	24VDC

PHOTOMETRICS

IG20-SP15-30-S
 Single COB Module
1x500mA DC24V

 2700K - 1755 lm
 3000K - 1765 lm
 4000K - 1854 lm
 5600k - 1886 lm

20W 3000K 15°

IG20-SP36-30-S
 Single COB Module
1x500mA DC24V

 2700K - 1739 lm
 3000K - 1804 lm
 4000K - 1832 lm
 5600k - 1869 lm

20W 3000K 36°

IG20-FL46-30-S
 Single COB Module
1x500mA DC24V

 2700K - 1431 lm
 3000K - 1484 lm
 4000K - 1516 lm
 5600k - 1538 lm

20W 3000K 46°

in grade



oslo

ASPEN

2W LED

SL2



ASPEN SL2 :

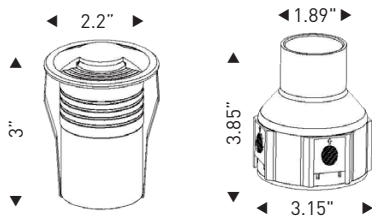
The Aspen SL2 Series of LED In Grade fixtures are perfect for pathway illumination, or turn them on their side to light up small walls or railings. They come in 3 different styles with different outputs which gives you flexibility for almost any job application. Perfect for path lights and step lights. Comes with optional mounting sleeve for easy installation.

- 5-year warranty
- Long life : 50,000 hours

SPECIFICATIONS

Housing	12" Die-cast powder coated aluminum
Front Cover	316# stainless steel
Operating temp	-20°C~40°C
Loading Capacity	>4400 lbs
Cable Gland	IP68 PG-9 PVC
Waterproof Seal	Molded shaped double silicone seal
LED	10 power type
Driver	Constant Current Output
Cord	6 ft
Cord Termination	OSLO Warm White —Tinned wire ends
Mounting Sleeve	011 PVC

DIMENSIONS



SL2 w/Optional Mounting Sleeve

Model Number	LED Array	Input Voltage	Color	# of Openings	Cord Termination	Max Power	LUM Flux
SL2-L12-1AW1-S-20HW	1 x 2W	12VAC	Warm White 3000K	1	2-wire	2.6W	1.3
SL2-L12-1AW2-S-20HW	1 x 2W	12VAC	Warm White 3000K	2	2-wire	2.6W	1.7
SL2-L12-1AW4-S-20HW	1 x 2W	12VAC	Warm White 3000K	4	2-wire	2.6W	1.7



illuminfx

illuminfx reserves the right to make changes to specifications at any time with or without notice



in grade

oslo

ASPEN LED

SL4



ASPEN SL4 :

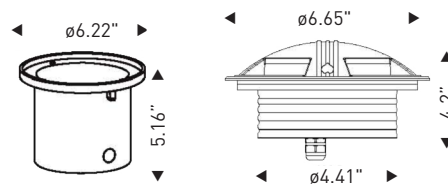
The Aspen SL4 Series of LED In Grade fixtures are perfect for pathway illumination, or turn them on their side to light up small walls or railings. They come in 3 different styles with different outputs which gives you flexibility for almost any job application. Comes with optional mounting sleeve for easy installation.

- 5-year warranty
- Long life : 50,000 hours

SPECIFICATIONS

Housing	12" Die-cast powder coated aluminum
Front Cover	316# stainless steel
Operating Temp	-20°C~40°C
Loading Capacity	>4400 lbs
Cable Gland	IP68 PG-9 PVC
Waterproof Seal	Molded shaped double silicone seal
LED	10 power type
Driver	Constant Current Output
Cord	20 ft
Cord Termination	OSLO Warm White —Tinned wire ends RIO RGB —Male IP68 Quick-Connect
Mounting Sleeve	127# PVC

DIMENSIONS



SL4 w/Optional Mounting Sleeve

Model Number	LED Array	Input Voltage	Color	# of Openings	Cord Termination	Max Power	LUM Flux
SL4-L15-1AW1-S-201M	10 x .5W	12VAC	Warm White 3000K	1	2-wire	0.8W	85
SL4-L25-1AW2-S-201M	20 x .5W	12VAC	Warm White 3000K	2	2-wire	1.6W	85
SL4-L25-1AW4-S-201M	24 x .5W	12VAC	Warm White 3000K	4	2-wire	1.7W	85

L A N D S C A P E
F I X T U R E S

oslo

TAMPA

7/12W LED

TP07 12

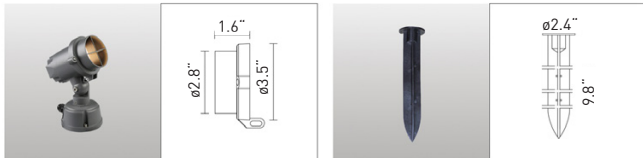


TAMPA 7/12W :

The TAMPA 7/12 watt line voltage landscape stake fixture is a high powered LED solution for almost any outdoor landscape lighting project. Use it to light up building facades, trees, retaining walls, and columns. Installation is quick and easy and the COB LED provides amazingly high lumen output from a small energy efficient lighting fixture.

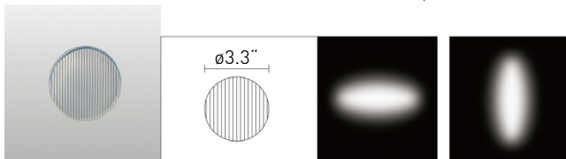
- 5-year warranty
- Long life : 50,000 hours

ACCESSORIES



Glare shield : TP318

Aluminum spike: TP603
Plastic spike: TP602



Spread glass

Horizontal

Vertical

ORDERING GUIDE

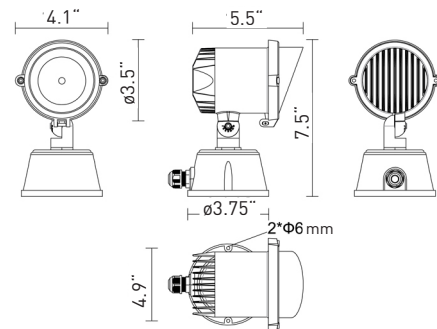
example product code: TP07/SP45/840/DG

SERIES	WATTAGE	BEAM BEAM	CRI	COLOR TEMP	FINISH
TP	07	SP45	8	40	DG
	07-7W	SP15-45° very narrow spot		50-5000K	
	12-12W	SP30-30° spot		40-4000K	
		SP45-45° spot		30-3000K	
		ASYW-30°X65°			

SPECIFICATIONS

Housing	12" Die-cast aluminum. LM-6	
Gasket	Silicon & rubber	
Glass	Tempered Glass	
Reflector	Anodized aluminum 1090	
Surface Coat	AkzoNobel powder coating	
Driver	Constant current BridgeLux COB LED	
Input Voltage	100-277VAC	
Operating Temp	-20°C-45°C	
Color Temps	3000K / 4000K / 5000K	
Beam Angle	15° / 30° / 45°	
Lumens	7W	3000K - 560 lm
		5000K - 780 lm
	12W	3000K - 810 lm
		5000K - 1120 lm

DIMENSIONS



oslo

TAMPA

20/28W LED

TP20 28



TAMPA 20/28W :

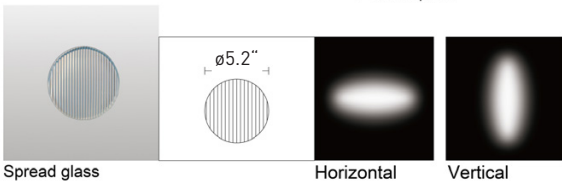
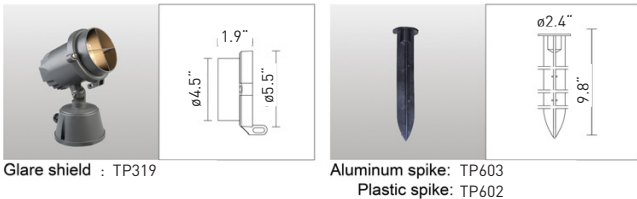
The TAMPA 20/28 watt line voltage landscape stake fixture is a high powered LED solution for almost any outdoor landscape lighting project. Use it to light up building facades, trees, retaining walls, and columns. Installation is quick and easy and the COB LED provides amazingly high lumen output from a small energy efficient lighting fixture.

- 5-year warranty
- Long life : 50,000 hours

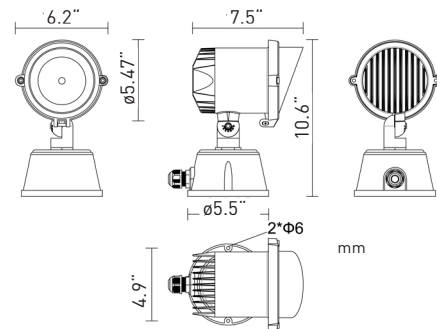
SPECIFICATIONS

Housing	12" Die-cast aluminum. LM-6
Gasket	Silicon & rubber
Glass	Tempered Glass
Reflector	Anodized aluminum 1090
Surface Coat	AkzoNobel powder coating
Driver	Constant current BridgeLux COB LED
Input Voltage	100-277VAC
Operating Temp	-20°C-45°C
Color Temps	3000K / 4000K / 5000K
Beam Angle	15° / 30° / 45°
Lumens	20W
	3000K - 1800 lm
	5000K - 2100 lm
	28W
	3000K - 2745 lm
	5000K - 3230 lm

ACCESSORIES



DIMENSIONS



ORDERING GUIDE

example product code: TP20/SP45/840/DG

SERIES	WATTAGE	BEAM BEAM	CRI	COLOR TEMP	FINISH
TP	20	SP45	8	40	DG
	20-20W	SP15-45° very narrow spot		50-5000K	
	28-28W	SP30-30° spot		40-4000K	
		SP45-45° spot		30-3000K	
		ASYW-30°X65°			

oslo

TAMPA

36/48W LED

TP36
48



TAMPA 36/48W :

The TAMPA 36/48 watt line voltage landscape stake fixture is a high powered LED solution for almost any outdoor landscape lighting project. Use it to light up building facades, trees, retaining walls, and columns. Installation is quick and easy and the COB LED provides amazingly high lumen output from a small energy efficient lighting fixture.

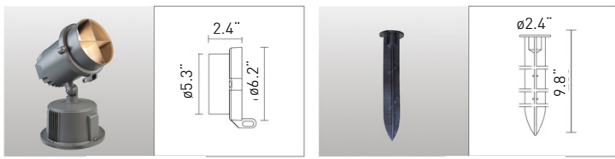
- 5-year warranty
- Long life : 50,000 hours

SPECIFICATIONS

Housing	12" Die-cast aluminum. LM-6
Gasket	Silicon & rubber
Glass	Tempered Glass
Reflector	Anodized aluminum 1090
Surface Coat	AkzoNobel powder coating
Driver	Constant current BridgeLux COB LED
Input Voltage	100-277VAC
Operating Temp	-20°C-45°C
Color Temps	3000K / 4000K / 5000K
Beam Angle	15° / 30° / 45°

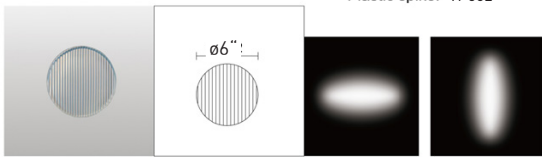
Lumens	36W	3000K - 3370 lm
		5000K - 4070 lm
	48W	3000K - 4240 lm
		5000K - 5150 lm

ACCESSORIES



Glare shield: TP320

Aluminum spike: TP603
Plastic spike: TP602

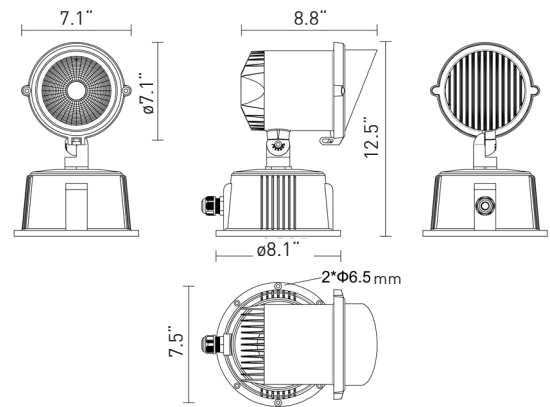


Spread glass

Horizontal

Vertical

DIMENSIONS



ORDERING GUIDE

example product code: TP36/SP45/840/DG

SERIES	WATTAGE	BEAM SPREAD	CRI	COLOR TEMP	FINISH
TP	36	SP45	8	40	DG
	36-36W	SP15-45° very narrow spot		50-5000K	
	48-48W	SP30-30° spot		40-4000K	
		SP45-45° spot		30-3000K	
		ASYW-30°X65°			

oslo

KIM

3W COB LED

**KR
03**



KIM 3W :

The KIM 3 watt line voltage landscape stake fixture is a high powered LED solution for almost any outdoor landscape lighting project. Use it to light up building facades, trees, retaining walls, and columns. Installation is quick and easy and the COB LED provides amazingly high lumen output from a small energy efficient lighting fixture.

- 5-year warranty
- Long life : 30,000 hours

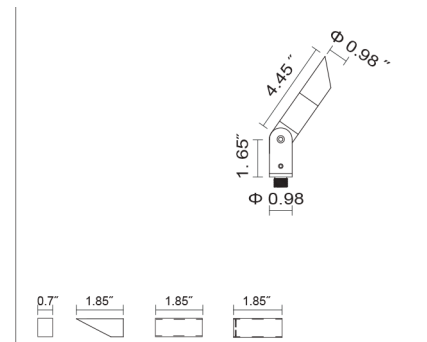
OPTIONS

SHROUD*					
	NO SHROUD	A-ANGLED	L-LENSED STRAIGHT	S-STRAIGHT	
	FINISH**				
		BL-BLACK	WH-WHITE	DG-GRAY	BZ-BRONZE
ACCESSORIES					
		TREE STRAP	GROUND STAKE	HORIZONTAL SPREAD 35°x15°	VERTICAL SPREAD 15°x35°
	MOUNTING BRACKET A	MOUNTING BRACKET B	MOUNTING BRACKET C	JUNCTION BOX	

SPECIFICATIONS

Housing	Die cast aluminum alloy
Gasket	Silicon rubber ring
Glass	Tempered Glass
LED Optic	Polycarbonate lens
PCB Material	Aluminum
Driver	Constant current COB LED
Input Voltage	12VAC / 24VDC
Ambient Temp	-4°F-113°F
Color Temp	3000 / 4000 / 6000K
Beam Angle	08° / 15° / 25° / 40°
Lumens / CRI	03W 3000K - 220 lm / CRI > 80 4000K - 230 lm / CRI > 80 6000K - 250 lm / CRI > 80

DIMENSIONS



ORDERING GUIDE

example product code: KR03/A/SP08/1/830/DG

SERIES	TYPE*	BEAM SPREAD	INPUT VOLTAGE	CRI	COLOR TEMP	FINISH**
KR03	A	SP08	1	8	30	DG
KR03-3W	A—Angled	SP08—8° very narrow spot	1—12VAC		60—6000K	DG—Dark Grey
	S—Straight	SP15—15° spot	2—24VDC		40—4000K	BL—Black
	L—Lensed Straight	SP25—25° spot			30—3000K	WH—White
		SP40—40° spot				BZ—Bronze



oslo

KIM

10/15W COB LED

KR



optional stake



TS-1 optional tree strap



PENDING

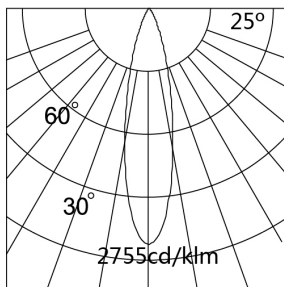


KIM 10/15W :

The KIM 10/15 watt line voltage landscape stake fixture is a high powered LED solution for almost any outdoor landscape lighting project. Use it to light up building facades, trees, retaining walls, and columns. Installation is quick and easy and the COB LED provides amazingly high lumen output from a small energy efficient lighting fixture.

- 5-year warranty
- Long life : 30,000 hours

PHOTOMETRICS



Ø(ft)	h(ft)	E(fc)
14.5	33	1.5
11.64	26	2.5
8.72	20	5.0
5.81	13	10
2.89	6.6	38

ORDERING GUIDE

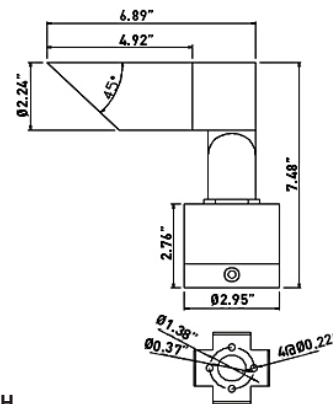
example product code: KR15/A/SP15/UA/830/DG

SERIES	TYPE	BEAM SPREAD	INPUT VOLTAGE	CRI	COLOR TEMP	FINISH
KR15	A	SP15	UA	8	30	DG
KR10-10W	A—Angled Shroud	SP15—15° very narrow spot			57-5700K	DG—Dark Grey
KR15-15W	S—Straight Shroud	SP25—25° spot			30-3000K	BL—Black
		SP38—38° spot				WH—White
		FL60—60° flood				

SPECIFICATIONS

Housing	Die cast aluminum alloy	
Gasket	Silicon rubber ring	
Glass	Tempered Glass	
Reflector	High purity aluminum	
PCB Material	Aluminum	
Driver	Constant current COB LED	
Input Voltage	120-277VAC	
Ambient Temp	-4°F-113°F	
Color Temp	3000 / 5700K	
Beam Angle	15° / 25° / 38° / 60°	
Lumens / CRI	10W	3000K - 550 lm / CRI > 80 5700K - 850 lm / CRI > 80
	15W	3000K - 1080 lm / CRI > 80 5700K - 1380 lm / CRI > 80

DIMENSIONS



ACCENT LIGHT

14W LED

JZ14



ACCENT LIGHT ZJ14 :

The ZJ14 landscape fixture is perfect for spot lighting applications in any outdoor project. Achieve beautiful color changing effects on building facades, trees, sculptures, and other architectural elements. RGB and RGBW options with internal DMX for easy integration with IFX Spectrum Select systems.

- 5-year warranty
- Long life : 50,000 hours

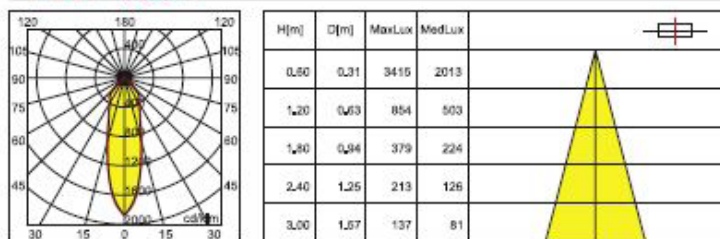
SPECIFICATIONS

Housing	Machined aluminum 6063
LED	COB / RGB or RGBW
Lumens	~70 lumens/watt
Beam Spread	Single Color 24 / 36 / 60°
	RGB / RGBW 20 / 30 / 45°
Lens	Efficiency >85%
Cable Gland	IP68 PG-9 PVC
Waterproof Seal	Molded shaped double silicone seal
Cable	1 meter

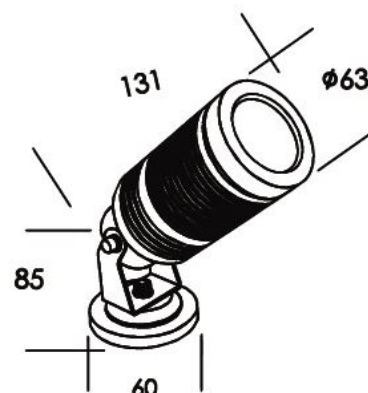
PHOTOMETRICS



14W - 3000 K



DIMENSIONS



ORDERING GUIDE

example product code: JZ14/2D/FL45/RGBW/BL/SPK

SERIES	WATTAGE	INPUT VOLTAGE*	BEAM SPREAD**	COLOR TEMP	FINISH	MOUNTING
JZ	14	2D	FL45	RGBW	BL	SPK
		2D—24VDC	SP20—20°	RGBW	BL—Black	SPK—Stake Mount
		1A—12VAC	SP24—24°	RGB	S—Silver	SM—Surface Mount
			SP30—30°	830—3000K	BS—Brass	
			SP36—36°			
			FL45—45°			
			FL60—60°			



flood



RIO | RGB

ECO

20W LED

EF20



ECO EF20 :

The ECO EF20 3in1 RGB Landscape fixture is perfect for flood lighting applications in any outdoor project. The wide beam spread of this product allow for large areas to be lit with one single luminaire. Achieve beautiful color changing effects on building facades, trees, sculptures, and other architectural elements.

- 2-year warranty
- Long life : 50,000 hours

SPECIFICATIONS

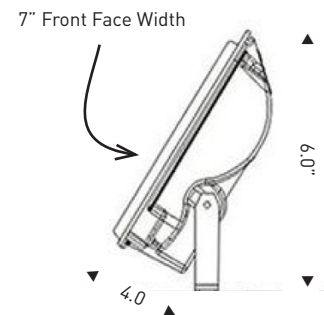
Housing	12" Die-cast aluminum
Glass	Tempered Glass
Frequency Range	50-60HZ
Operating Temp	-40°-60°C
Power Factor	0.95
LED	Epistar
Driver	RGB 3in1 —3 circuits
Cord	20 ft
Cord Termination	RIO RGB —Male IP68 Quick-Connect

ACCESSORIES

- Optional Mounting Stake



DIMENSIONS



Model Number	LED Array	Input Voltage	Color	Beam Angle	Cord Termination	Max Power	LUM Flux
EF20-L120-2DXF-DG-201M	1 x 20W	24VDC	RGB	120°	Male QC Plug	20W	Variable

PULSAR

8W LED

RF08



SPECIAL ORDER
allow extended lead time

PULSAR 8W :

The PULSAR 8 watt landscape stake fixture is a high powered LED solution for almost any outdoor landscape lighting project. This high efficiency LED fixture comes in full color changing RGBW, or single color white. Standard configuration for RGBW version includes internal DMX for integration with IFX Spectrum Select controls.

- 5-year warranty
- Long life : 30,000 hours

SPECIFICATIONS

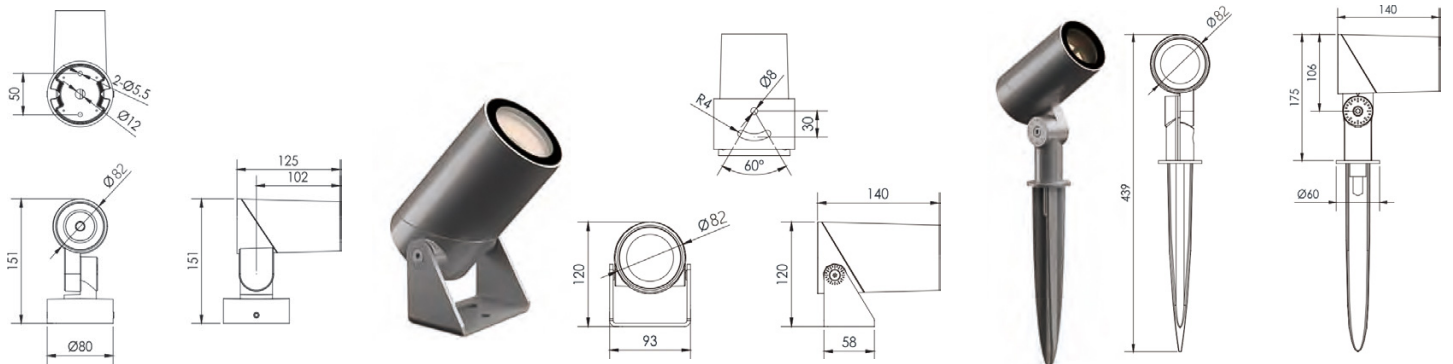
Housing	5mm Die-cast aluminum, powder coated
Finish	RAL9023 dark gray
Mounting Hardware	Die-cast zinc with nickel plating
LED	CREE XP-G3 / RGBW 4in1
CRI	Ra>80
Voltage	24VDC / 100-264VAC
Operating Temp	-40°F-122°F
Beam Spread	15° / 20° / 30° / 15x60°
Optional Stake	Double powder coated

DIMENSIONS

Surface Mount

U Mount

Stake Mount



ORDERING GUIDE

example product code: RF08/SP15/2Z/DGST

SERIES	WATTAGE	BEAM SPREAD	INPUT VOLTAGE	COLOR TEMP	FINISH	MOUNTING
RF	08	SP15	2	Z	DG	ST
		SP15—15° spot	U—100-264VAC	65—6500K		SM—Surface Mount
		SP20—20° spot	2—24VDC	30—3000K		ST—Stake Mount
		SP30—30° spot		Z—RGBW		UM—U Mount
		ASY—15°x60°				



illuminfx

illuminfx reserves the right to make changes to specifications at any time with or without notice

R10 | oslo

PULSAR

12W LED

RF12



SPECIAL ORDER
allow extended lead time

PULSAR 12W :

The PULSAR 12 watt landscape stake fixture is a high powered LED solution for almost any outdoor landscape lighting project. This high efficiency LED fixture comes in full color changing RGBW, or single color white. Standard configuration for RGBW version includes internal DMX for integration with IFX Spectrum Select controls.

- 5-year warranty
- Long life : 30,000 hours

SPECIFICATIONS

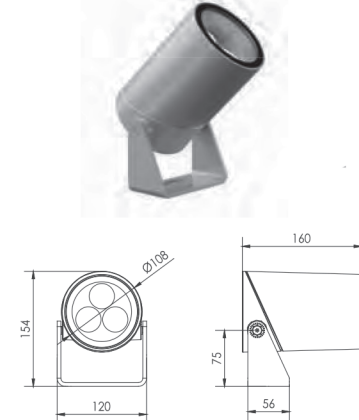
Housing	5mm Die-cast aluminum, powder coated
Finish	RAL9023 dark gray
Mounting Hardware	Die-cast zinc with nickel plating
LED	CREE XP-G3 / RGBW 4in1
CRI	Ra>80
Voltage	24VDC / 100-264VAC
Operating Temp	-40°F-122°F
Beam Spread	15° / 20° / 30° / 15x60°
Optional Stake	Double powder coated

DIMENSIONS

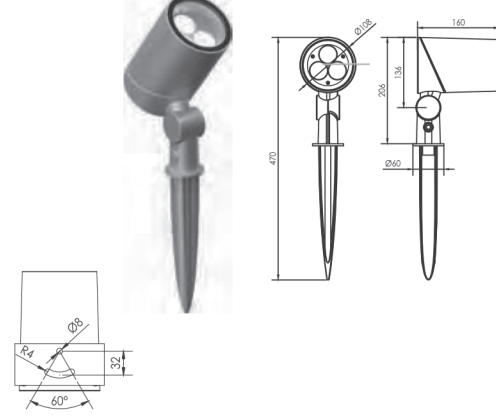
Pole Mount



U Mount



Stake Mount



ORDERING GUIDE

example product code: RF12/SP15/2Z/DGST

SERIES	WATTAGE	BEAM SPREAD	INPUT VOLTAGE	COLOR TEMP	FINISH	MOUNTING
RF	12	SP15	2	Z	DG	ST
		SP15—15° spot	U—100-264VAC	65—6500K		PM—Pole Mount
		SP20—20° spot	2—24VDC	30—3000K		ST—Stake Mount
		SP30—30° spot		Z—RGBW		UM—U Mount
		ASY—15°x60°				



illuminfx

illuminfx reserves the right to make changes to specifications at any time with or without notice



RIO

PULSAR

20W LED

RF20



SPECIAL ORDER
allow extended lead time

PULSAR 20W :

The PULSAR 20 watt landscape stake fixture is a high powered LED solution for almost any outdoor landscape lighting project. This high efficiency LED fixture comes in full color changing RGBW with a standard configuration including internal DMX for integration with IFX Spectrum Select controls.

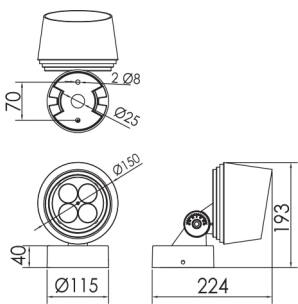
- 5-year warranty
- Long life : 50,000 hours

SPECIFICATIONS

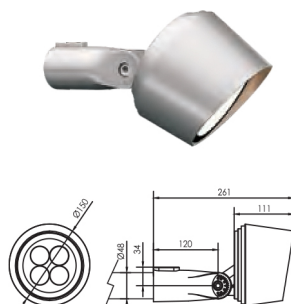
Housing	5mm Die-cast aluminum, powder coated
Finish	RAL9023 dark gray
Mounting Hardware	Die-cast zinc with nickel plating
LED	CREE RGBW 4in1
CRI	Ra>80
Lumens	940 lm
Voltage	24VDC / 100-264VAC
Operating Temp	-13°F-122°F
Beam Spread	15° / 20° / 30° / 15x60°
Optional Stake	Double powder coated

DIMENSIONS

Surface Mount



Pole Mount



Stake Mount



ORDERING GUIDE

example product code: RF20/SP15/2Z/DGST

SERIES	WATTAGE	BEAM SPREAD	INPUT VOLTAGE	COLOR TEMP	FINISH	MOUNTING
RF	20	SP15	2	Z	DG	SKM
		SP15—15° spot	U—100-264VAC	Z—RGBW		PM—Pole Mount
		SP20—20° spot	2—24VDC			ST—Stake Mount
		SP30—30° spot				SM—Surface Mount
		ASY—15°x60°				



illuminfx

illuminfx reserves the right to make changes to specifications at any time with or without notice



RIO

PULSAR

30W LED

RF30



SPECIAL ORDER
allow extended lead time

PULSAR 30W :

The PULSAR 30 watt landscape stake fixture is a high powered LED solution for almost any outdoor landscape lighting project. This high efficiency LED fixture comes in full color changing RGBW with a standard configuration including internal DMX for integration with IFX Spectrum Select controls.

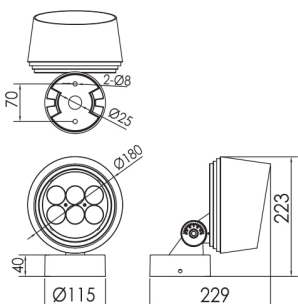
- 5-year warranty
- Long life : 50,000 hours

SPECIFICATIONS

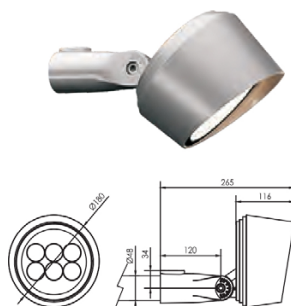
Housing	5mm Die-cast aluminum, powder coated
Finish	RAL9023 dark gray
Mounting Hardware	Die-cast zinc with nickel plating
LED	CREE RGBW 4in1
CRI	Ra>80
Lumens	1410 lm
Voltage	24VDC / 100-264VAC
Operating Temp	-13°F~122°F
Beam Spread	15° / 20° / 30° / 15x60°
Optional Stake	Double powder coated

DIMENSIONS

Surface Mount



Pole Mount



Stake Mount



ORDERING GUIDE

example product code: RF30/SP15/2Z/DGST

SERIES	WATTAGE	BEAM SPREAD	INPUT VOLTAGE	COLOR TEMP	FINISH	MOUNTING
RF	30	SP15	2	Z	DG	ST
		SP15—15° spot	U—100-264VAC	Z—RGBW		PM—Pole Mount
		SP20—20° spot	2—24VDC			ST—Stake Mount
		SP30—30° spot				SM—Surface Mount
		ASY—15°x60°				



illuminfx

illuminfx reserves the right to make changes to specifications at any time with or without notice



round flood

RIO

PULSAR

60W LED

RF60



SPECIAL ORDER
allow extended lead time

PULSAR 60W :

The PULSAR 60 watt landscape stake fixture is a high powered LED solution for almost any outdoor landscape lighting project. This high efficiency LED fixture comes in full color changing RGBW with a standard configuration including internal DMX for integration with IFX Spectrum Select controls.

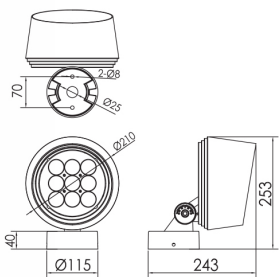
- 5-year warranty
- Long life : 50,000 hours

SPECIFICATIONS

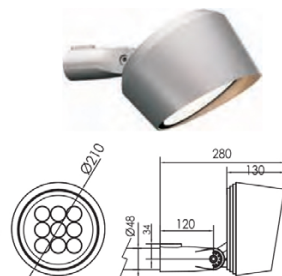
Housing	5mm Die-cast aluminum, powder coated
Finish	RAL9023 dark gray
Mounting Hardware	Die-cast zinc with nickel plating
LED	CREE RGBW 4in1
CRI	Ra>80
Lumens	2119 lm
Voltage	36VDC / 100-264VAC
Operating Temp	-13°F-122°F
Beam Spread	15° / 20° / 30° / 15x60°
Optional Stake	Double powder coated

DIMENSIONS

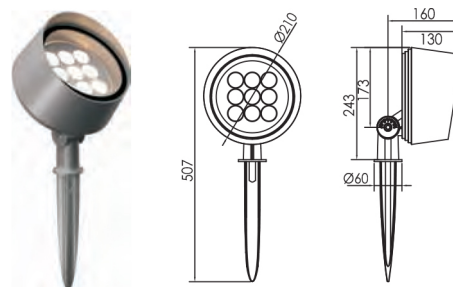
Surface Mount



Pole Mount



Stake Mount



ORDERING GUIDE

example product code: RF60/SP15/2Z/DGSM

SERIES	WATTAGE	BEAM SPREAD	INPUT VOLTAGE	COLOR TEMP	FINISH	MOUNTING
RF	60	SP15	3	Z	DG	SM
		SP15—15° spot	U—100-264VAC	Z—RGBW		PM—Pole Mount
		SP20—20° spot	3—36VDC			SM—Surface Mount
		SP30—30° spot				ST—Stake Mount
		ASY—15°x60°				



illuminfx

illuminfx reserves the right to make changes to specifications at any time with or without notice



round flood

RIO

PULSAR

100W LED

RF100



SPECIAL ORDER
allow extended lead time

PULSAR 100W

The PULSAR 100 watt landscape stake fixture is a high powered LED solution for almost any outdoor landscape lighting project. This high efficiency LED fixture comes in full color changing RGBW with a standard configuration including internal DMX for integration with IFX Spectrum Select controls.

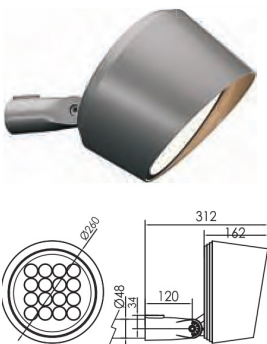
- 5-year warranty
- Long life : 50,000 hours

SPECIFICATIONS

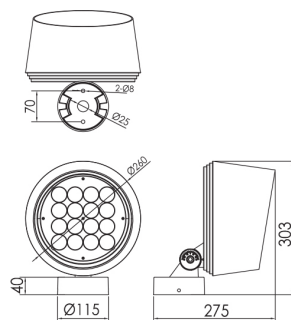
Housing	5mm Die-cast aluminum, powder coated
Finish	RAL9023 dark gray
Mounting Hardware	Die-cast zinc with nickel plating
LED	CREE RGBW 4in1
CRI	Ra>80
Lumens	3525 lm
Voltage	36VDC / 100-264VAC
Operating Temp	-13°F-122°F
Beam Spread	15° / 20° / 30° / 15x60°
Optional Stake	Double powder coated

DIMENSIONS

Pole Mount



Surface Mount



ORDERING GUIDE

example product code: RF100/SP15/2Z/DGSM

SERIES	WATTAGE	BEAM SPREAD	INPUT VOLTAGE	COLOR TEMP	FINISH	MOUNTING
RF	100	SP15	3	Z	DG	SM
		SP15—15° spot	U—100-264VAC	Z—RGBW		PM—Pole Mount
		SP20—20° spot	3—36VDC			SM—Surface Mount
		SP30—30° spot				
		ASY—15°x60°				



illuminfx

illuminFx reserves the right to make changes to specifications at any time with or without notice



round flood

RIO | oslo

PULSAR

200W LED

RF200



INTERNAL DMX
SPECIAL ORDER
allow extended lead time

PULSAR RF200 :

The PULSAR RF200 series is a round flood for outdoor lighting applications. This high efficiency LED fixture comes in full color changing RGBW. Standard configuration includes internal DMX for integration with IFX Spectrum Select controls.

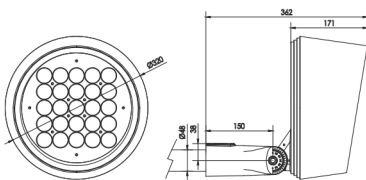
- 5 year warranty
- Long life : 50,000 hours
- RGBW : Internal DMX operation

SPECIFICATIONS

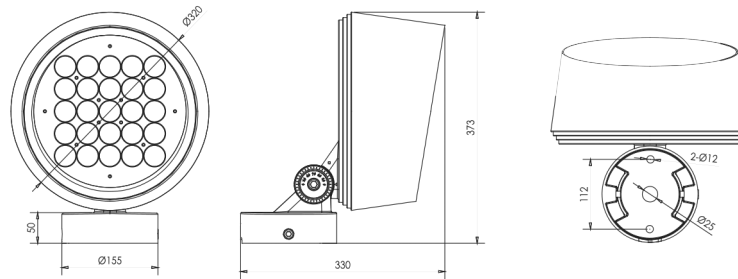
Housing	5mm Die-cast aluminum, powder coated
Finish	RAL9023 dark gray
Mounting Hardware	Die-cast zinc with nickel plating
LED	CREE XM-L RGBW 4in1
CRI	Ra>80
Lumens	9000-15000lm
Voltage	36VDC / 100-305VAC
Operating Temp	-40°F-122°F
Beam Spread	15° / 20° / 30° / 15x60°
Glare Shield	Double powder coated, easy clean design

DIMENSIONS

Pole Mount



Surface Mount



ORDERING GUIDE

example product code: RF200-SP15-3Z-DGSM

MODEL	WATTAGE	BEAM SPREAD	VOLTAGE	COLOR TEMP	FINISH	MOUNTING
RF	200	SP15	3	Z	DG	SM
		SP15 - 15°	3 - 36VDC			SM - Surface Mount
		SP20 - 20°	U - 100-305VAC			PM - Pole Mount
		SP30 - 30°				
		ASY - 15°x60°				



illuminfx

illuminFx reserves the right to make changes to specifications at any time with or without notice



round flood

R10 | oslo

PULSAR

47 / 65W LED

**RF47
65**



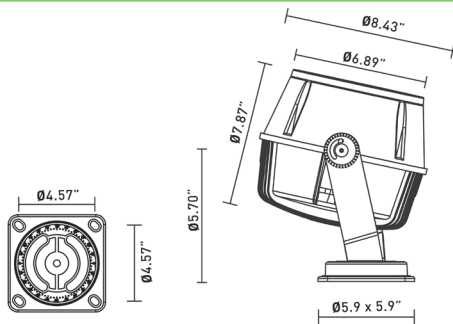
INTERNAL DMX
SPECIAL ORDER
allow extended lead time

PULSAR RF :

The PULSAR RF series is a round flood for outdoor lighting applications. This high efficiency LED fixture comes in either static white or full color changing RGB. The RGB version comes with an internal DMX systems for interegration with IFX Spectrum Select controls.

- 5 year warranty
- Long life : 50,000 hours
- RGBW : Internal DMX operation

DIMENSIONS



ORDERING GUIDE

example product code: RF47-SP15-X-DG

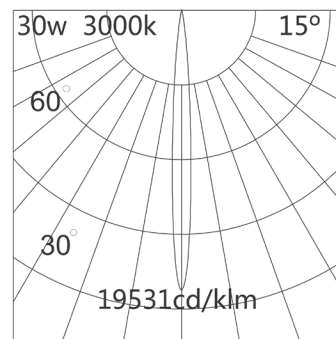
MODEL	WATTAGE	BEAM SPREAD	COLOR TEMP	FINISH
RF	47	SP15	X	DG
	47 - 47W	SP15 - 15°	X - RGB	
	65 - 65W	SP25 - 25°	30 - 3000K	
		SP45 - 45°	60 - 6000K	

SPECIFICATIONS

Housing	Extruded aluminum, powder coated
Glass	4mm safety glass, IP68 connector
Hardware	Stainless steel
LED	47 : 1W x 36 65 : 2W x 27W
CRI	Ra>80
Operating Temp	-22°F-122°F
Adjustable angle	60°
Input voltage	24VDC
Glare Shield	Available - GS317

PHOTOMETRICS

RF65-SP15-30-DG



Ø(m)	h(m)	E(fc)
2.62	30	7.2
1.75	20	16.1
1.31	15	28.7
0.88	10	64.5
0.43	5	257.7



illuminfx

illuminfx reserves the right to make changes to specifications at any time with or without notice



large flood

R10 | oslo

PULSAR

60W LED

LF60



INTERNAL DMX
SPECIAL ORDER
allow extended lead time

PULSAR LF :

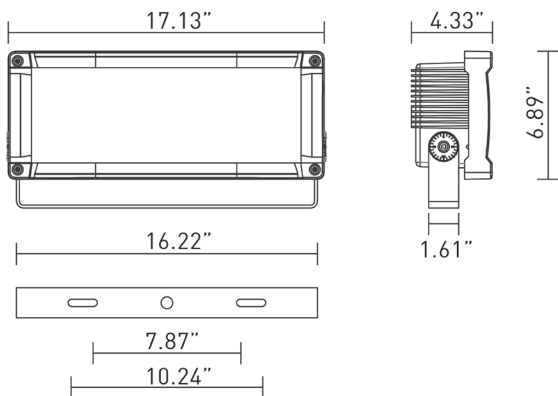
The PULSAR LF series is a largeflood for outdoor lighting applications. This high efficiency LED fixture comes in either static white or full color changing RGB. The RGB version comes with an internal DMX systems for interegration with IFX Spectrum Select controls.

- 5 year warranty
- Long life : 50,000 hours
- RGBW : Internal DMX operation

SPECIFICATIONS

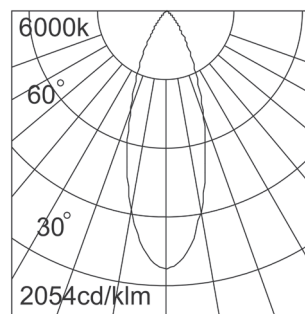
Housing	Extruded aluminum, powder coated
Glass	4mm safety glass, IP68 connector
Hardware	Stainless steel
LED	1W x 54
CRI	Ra>80
Operating Temp	-22°F-122°F
Adjustable angle	60°
Input voltage	24VDC
Glare Shield	Available - GS322

DIMENSIONS



PHOTOMETRICS

LF60-SP40-60-DG



Ø(m)	h(m)	E(fc)6000K
4.77	10	8.8
3.81	8	13.8
2.86	6	24.6
1.90	4	55.4
0.95	2	221.8

ORDERING GUIDE

example product code: LF60-SP15-X-DG

MODEL	WATTAGE	BEAM SPREAD	COLOR TEMP	FINISH
LF	60	SP15	X	DG
		SP15 - 15°	X - RGB	
		SP25 - 25°	30 - 3000K	
		SP45 - 45°	60 - 6000K	



illuminfx

illuminfx reserves the right to make changes to specifications at any time with or without notice



large flood

RIO | oslo

PULSAR

580W LED

LF580



INTERNAL DMX
SPECIAL ORDER
allow extended lead time

PULSAR LF580 :

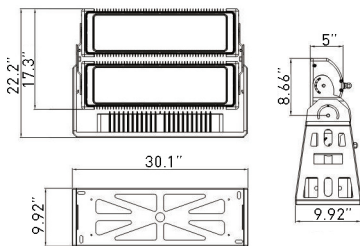
The PULSAR LF580 is the largest LED flood light in the IFX line of products. With its advanced LEDs and lenses, this fixture can project efficient light up to 360ft! Available in many static white options as well as full RGBW LEDs for smooth, brilliant color transitions, and interegration with IFX Spectrum Select controls

- 5 year warranty
- Long life : 50,000 hours
- RGBW : Internal DMX operation

SPECIFICATIONS

Housing	Extruded aluminum, powder coated
Glass	4mm safety glass, IP68 connector
Hardware	Stainless steel
Luminous Efficacy	38.35 lm/W
CRI	Ra>80
Operating Temp	-22°F~122°F
Projecting Distance	360ft
Adjustable angle	180°
Input voltage	Universal 100-220VAC

DIMENSIONS



ORDERING GUIDE

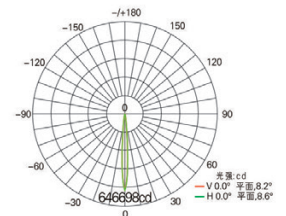
example product code: LF580-SP08-Z-DG

MODEL	WATTAGE	BEAM SPREAD	COLOR TEMP	FINISH
LF	580	SP08	Z	DG
		SP08 - 8°	Z - RGBW	
		SP15 - 15°	22 - 2200K	
		SP25 - 25°	27 - 2700K	
			30 - 3000K	
			35 - 3500K	
			40 - 4000K	
			65 - 6500K	

PHOTOMETRICS

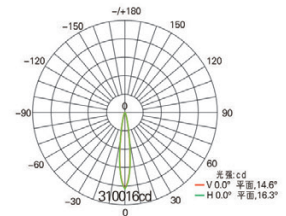
LF580-SP08-Z-DG

LED Unit/Color 72x2.4A 580W
AC220V 8°
红色 630nm-5251 lm
绿色 528nm-6782 lm
蓝色 470nm-1531 lm
白色 6500K-8314 lm
RGBW



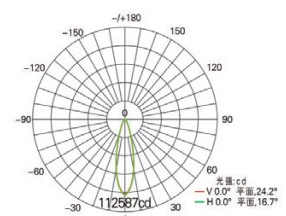
LF580-SP15-Z-DG

LED Unit/Color 72x2.4A 580W
AC220V 15°
红色 630nm-5338 lm
绿色 528nm-6895 lm
蓝色 470nm-1557 lm
白色 6500K-8452 lm
RGBW



LF580-SP25-Z-DG

LED Unit/Color 72x2.4A 580W
AC220V 25°
红色 630nm-5174 lm
绿色 528nm-6683 lm
蓝色 470nm-1509 lm
白色 6500K-8192 lm
RGBW



illuminfx

illuminfx reserves the right to make changes to specifications at any time with or without notice



High Power Flood/Spot

RIO OSLO

TEMPE

HIGH POWER

RFT

FEATURES

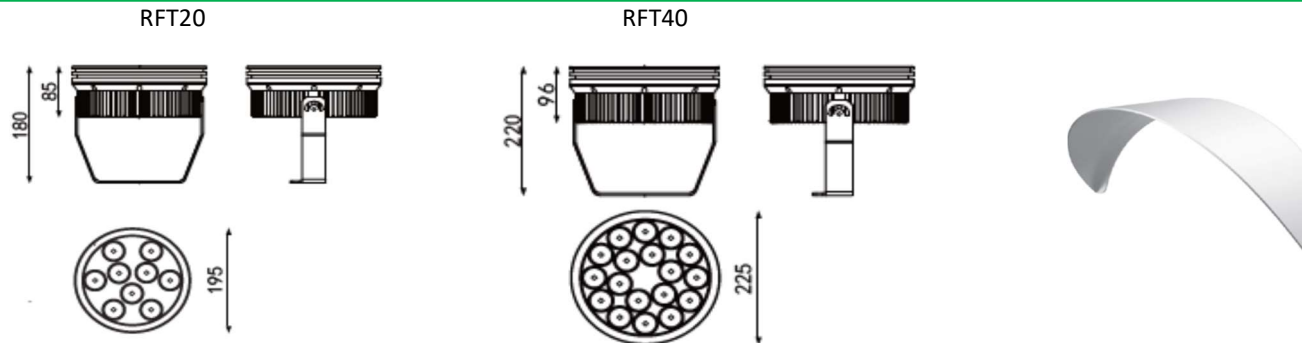
High-performance, High Power Architectural Linear Wall Wash luminaire, the WTN series offers versatility and design impact for illuminating walls up to 30 feet high. Ideal for lighting Architectural features on buildings, bridges, and other structures.

- Single color/RGB/RGBW
- DMX/RDM Option
- 100-277VAC
- Aluminum Alloy 6063
- 150° Rotation
- IP65

SPECIFICATIONS

Housing	6063 Aluminum Alloy with Anti-Glare Cover, designed for seamless appearance when arranged end to end.
Lens	Anti-Glare
Input Wattage	20W 40W
Operating Temp.	-13° to 122°F
Power Factor	>0.90
Color	RGBW/3000/4000/5000K
CRI	80+
LM80 Life Span	>50,000 Hrs
Certifications	ETL
Warranty	3 Years

DIMENSIONS



Series	Power	Voltage	Color	Beam	Finish	Options	Options
RFT	15	UA4 - 120-240VAC	830 -3000K	15°	BL - Black	DMX	
	30	UA - 120-277VAC	840 -4000K	30°	N - Nickel	HS - Half Shroud	
	45		850 -5000K				
	60		X - RGB	45°	WH - White		
			Z4 - RGBW40K	60°	DB - Dark Bronze		

ACCESSORIES

SS-214



- Stand Alone DMX
- 1 Zone
- 36 Scenes
- Calendar

SS-303



- Stand Alone DMX
- 10 Zones
- 100 Scenes
- Calendar

SSP-****



- Stand Alone DMX
- X Zones
- X Scenes
- Calendar



Medium Power Wall Wash

RIO OSLO

SIENA

Medium Power

WTS

FEATURES

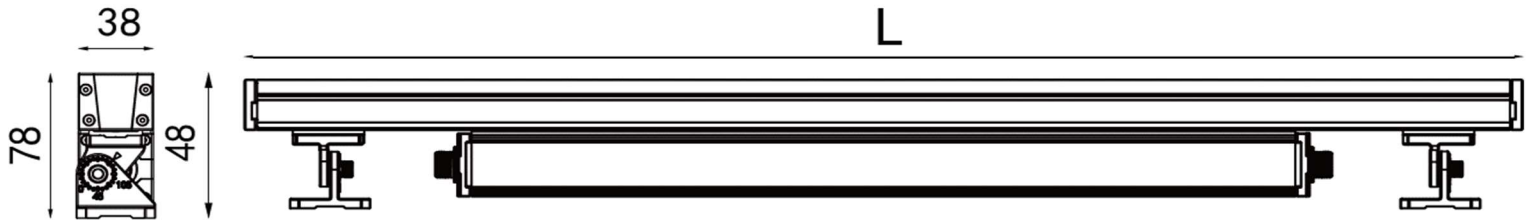
High-performance, Medium Power Architectural Linear Wall Wash luminaire, the WTS series offers versatility and design impact for illuminating walls up to 10 feet high. Ideal for lighting Architectural features on buildings, bridges, and other structures.

- Single color/RGB/RGBW
- DMX/RDM Option
- 100-277VAC
- 24VDC
- Aluminum Alloy 6063
- 150° Rotation
- IP65

SPECIFICATIONS

Housing	6063 Aluminum Alloy with Anti-Glare Cover, designed for seamless appearance when arranged end to end.
Lens	Anti-Glare
Input Wattage	1 ft: 12W, 2 ft: 20W, 4 ft 40W
Operating Temp.	-13° to 122°F
Power Factor	>0.90
Color	RGBW/3000/4000/5000K
CRI	80+
LM80 Life Span	>50,000 Hrs
Certifications	ETL
Warranty	3 Years

DIMENSIONS



Series	Power	Length	Voltage	Color	Beam	Finish	Options	Options
WTS	12	1 ft	UA - 120-277VAC	830 -3000K	30°	BL - Black	DMX	
	20	2 ft	2D - 24VDC	840 -4000K	45°	N - Nickel	EXB - Ext bracket	
	40	4 ft		850 -5000K	10°x60°	WH - White	GRL - Grill Cover	
				Z3 - RGBW30K	15°x45°	DB-Dark Bronze	GLS - Glare Shroud	

ACCESSORIES

SS-214



- Stand Alone DMX
- 1 Zone
- 36 Scenes
- Calendar

SS-303



- Stand Alone DMX
- 10 Zones
- 100 Scenes
- Calendar

SSP-****



- Stand Alone DMX
- X Zones
- X Scenes
- Calendar



RIO OSLO

High Power Wall Wash

NAPLES

HIGH POWER

WTN

FEATURES

High-performance, High Power Architectural Linear Wall Wash luminaire, the WTN series offers versatility and design impact for illuminating walls up to 30 feet high. Ideal for lighting Architectural features on buildings, bridges, and other structures.

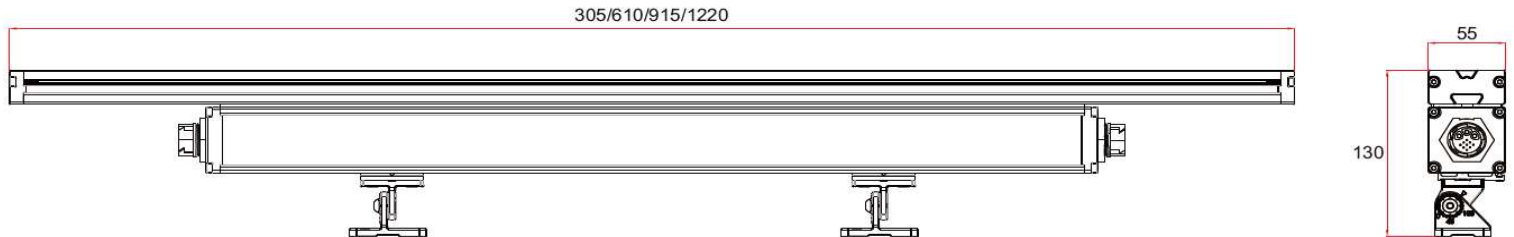
- Single color/RGB/RGBW
- DMX/RDM Option
- 100-277VAC
- Aluminum Alloy 6063
- 150° Rotation
- IP65

SPECIFICATIONS

Housing	6063 Aluminum Alloy with Anti-Glare Cover, designed for seamless appearance when arranged end to end.
Lens	Anti-Glare
Input Wattage	1 ft: 15W, 2 ft: 30W, 4 ft: 60W
Operating Temp.	-13° to 122°F
Power Factor	>0.90
Color	RGBW/3000/4000/5000K
CRI	80+
LM80 Life Span	>50,000 Hrs
Certifications	ETL
Warranty	3 Years

DIMENSIONS

Unit: mm



Series	Power	Length	Voltage	Color	Beam	Finish	Options	Options
WTN	15	1 ft	UA - 120-277VAC	830 -3000K	15°	BL - Black	DMX	EXB - Ext bracket
	30	2 ft		840 -4000K	30°	N - Nickel		
	60	4 ft		850 -5000K	45°	WH - White		
	Z4 - RGBW40K	20°x40°		DB - Dark Bronze	GRL - Grill Cover			
							GLS - Glare Shroud	

ACCESSORIES

SS-214



- Stand Alone DMX
- 1 Zone
- 36 Scenes
- Calendar

SS-303



- Stand Alone DMX
- 10 Zones
- 100 Scenes
- Calendar

SSP-****



- Stand Alone DMX
- X Zones
- X Scenes
- Calendar



linear

RIO | oslo

CORSICA

18 / 35 / 65W LED

WTP

RoHS Compliant



IP 65
Waterproof



INTERNAL DMX
SPECIAL ORDER
allow extended lead time

CORSICA WTP :

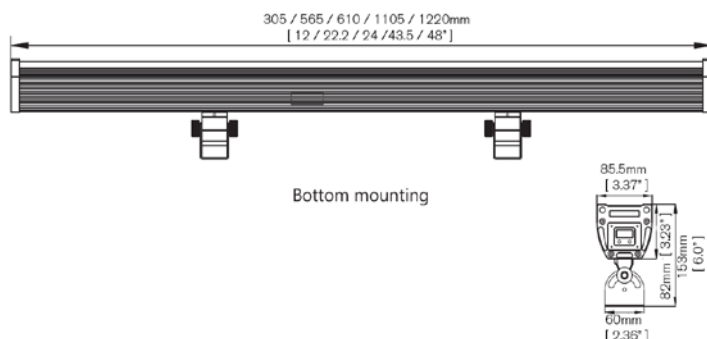
The WTP linear lighting fixture is perfect for wall wash lighting applications in any outdoor project. Achieve beautiful color changing effects on building facades, trees, sculptures, and other architectural elements. RGBW internal DMX comes standard for easy integration with IFX Spectrum Select systems.

- 5-year warranty
- Long life : 50,000 hours

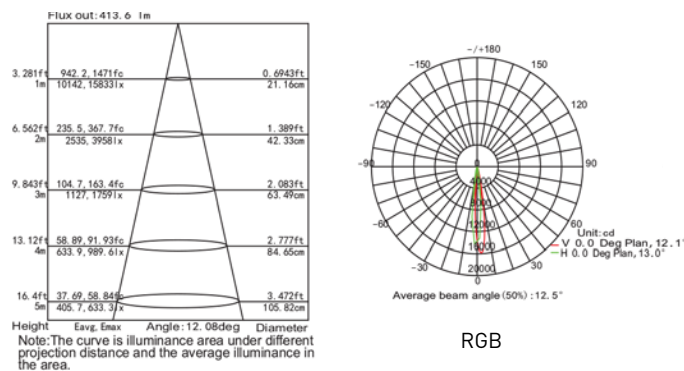
SPECIFICATIONS

Housing	#6063 aluminum alloy
Finish	Anodized aluminum
Mounting Hardware	Stainless steel // 140° rotation
LED	CREE RGBW 4in1
CRI	Ra>80
Color Temp	2000 / 2200 / 2800 / 3000 / 4000 / 5000 / 6500K / RGBW
Voltage	100-277VAC
Operating Temp	-4°F~104°F
Beam Spread	10° / 15° / 20° / 30° / 45° / 15x50° / 20x60°
Cable Length	6' w/IP68 quick connects

DIMENSIONS



PHOTOMETRICS



ORDERING GUIDE

example product code: WTP65-122-UA-AY1550-RGBW-DG-06MF

MODEL #	WATTAGE	SIZE	VOLTAGE	BEAM SPREAD*	COLOR TEMP**	FINISH	CABLE
WTP18-305-UA-***-DG-06MF	18 W	305mm / 12"	100-277VAC	SP10 - 10°	20 - 2000K	Dark Gray	6' quick connect
WTP35-565-UA-***-DG-06MF	35 W	565mm / 22.2"	100-277VAC	SP15 - 15°	22 - 2200K	Dark Gray	6' quick connect
WTP35-610-UA-***-DG-06MF	35 W	610mm / 24"	100-277VAC	SP20 - 20°	28 - 2800K		
WTP65-110-UA-***-DG-06MF	65 W	1105mm / 43.5"	100-277VAC	SP30 - 30°	30 - 3000K	Dark Gray	6' quick connect
WTP65-122-UA-***-DG-06MF	65 W	1220mm / 48"	100-277VAC	FL45 - 45°	40 - 4000K	Dark Gray	6' quick connect
				ASY1550 - 15 x 50°	50 - 5000K		
				ASY2060 - 20 x 60°	65 - 6500K	Dark Gray	6' quick connect
					RGBW - DMX RGBW		



illuminfx reserves the right to make changes to specifications at any time with or without notice

CORSICA

5/10/20 LED

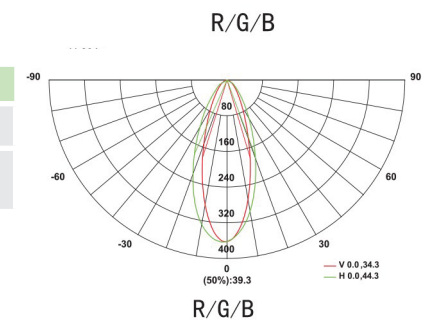
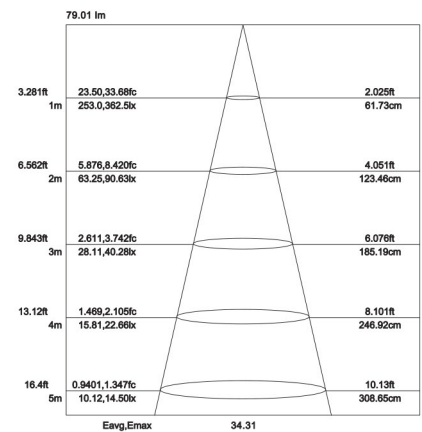
WA9



SPECIFICATIONS

Housing	Aluminum Extrusion / 6063
Rotary Angle	180°
Input Voltage	24V DC
Cable Gland	IP68 PG-11 PVC
Waterproof Seal	4mm Glass and housing are silicone sealed
Operating Temp	-4°F~113°F
CRI	80
Cord	6 ft
Cord Termination	Power input —tinned wire ends DMX —IP68 quick connect 1in / 1out

DISTRIBUTION CURVE



RoHS Compliant CE IP65 ETL

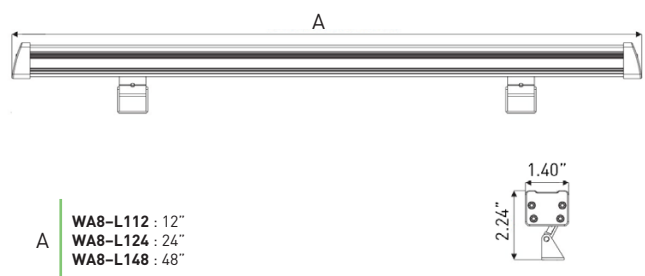
INTERNAL DMX SPECIAL ORDER allow extended lead time

CORSICA WA9 :

The CORSICA WA9 linear LED fixture is illuminFx's most versatile outdoor rated RGB linear product. The CORSICA's internal DMX makes it perfect for building illumination and its streamlined design keeps it hidden. DMX address can be set on the fixture at any time making installation easy.

- 5 year warranty
- Long life : 50,000 hours

DIMENSIONS



WA8-L112 : 12"
WA8-L124 : 24"
WA8-L148 : 48"

ORDERING GUIDE

example product code: WA9-L124-2DZC-A-06DMX

LIGHT SOURCE	WATTAGE	VOLTAGE	COLOR TEMP	BEAM SPREAD	MATERIAL
WA9	L162	2D	Z	C	A
	L112-5W		X-RGB	A-15° (single color)	06DMX
	L124-10W		Z-RGBW	B-20° (single color)	06HW (single color)
	L148-20W		30-3000K	C-30° [DMX]	
				D-60° [DMX]	
				ASY-30°x40° [DMX]	
				25°x35° (single color)	



illuminFx reserves the right to make changes to specifications at any time with or without notice

O M E G A
P R O

BULLET & ACCENT

12V
AC

SOLID
BRASS

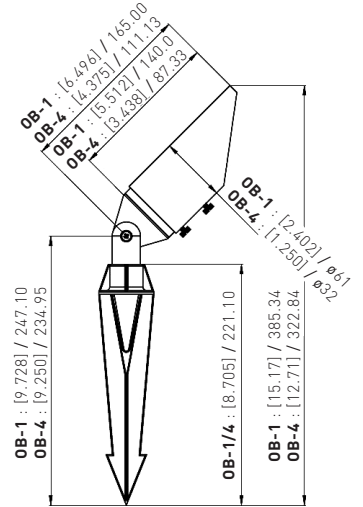
IP
54

LAMP
OB-1 MR16
OB-4 MR11

OB-1

SPECIFICATIONS

Body Material	Solid Brass
Max Wattage	50W
Lead Wire	3' 18/2 UL
Spike	PVC
Lens	Convex / Tempered Glass



[inches] / millimeters



OB-4

Body Material	Solid Brass
Max Wattage	35W
Lead Wire	3' 18/2 UL
Spike	PVC
Lens	Tempered Glass

12V
AC

SOLID
BRASS

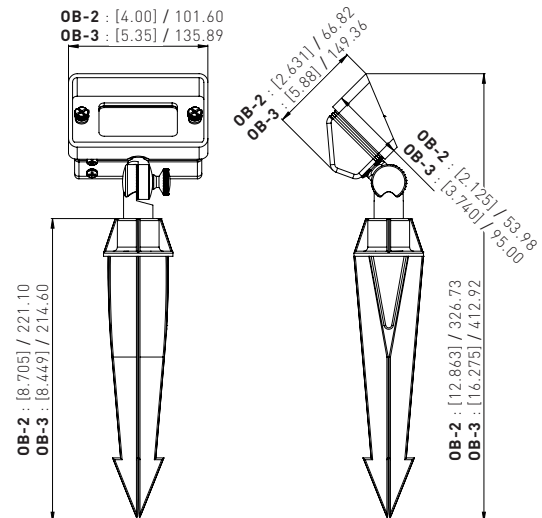
IP
54

LAMP
OB-2 G4
OB-3 MR16

OB-2

SPECIFICATIONS

Body Material	Solid Brass
Max Wattage	35W
Lead Wire	3' 18/2 UL
Spike	PVC
Lens	Frosted, Clear



[inches] / millimeters



OB-3

Body Material	Solid Brass
Max Wattage	35W
Lead Wire	3' 18/2 UL
Spike	PVC
Lens	Frosted, Clear



DOWN LIGHT

12V
AC

SOLID
BRASS

IP
54

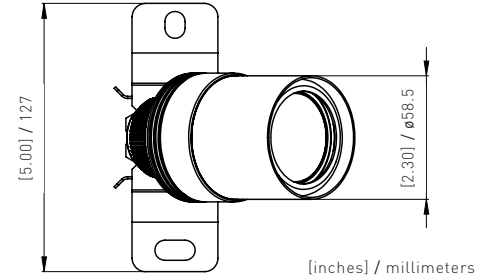
LAMP
MR16

DL-1



SPECIFICATIONS

Body Material	Solid Brass
Max Wattage	50W
Lead Wire	3' 18/2 UL
Bracket	Solid Brass

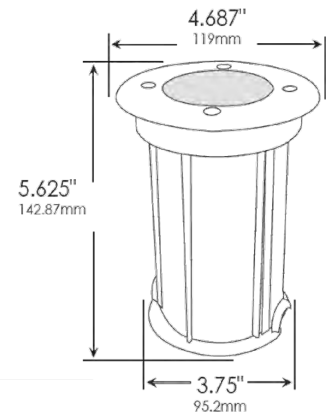


INGRADE

WL-1



Body Material	Solid Brass
Max Wattage	50W
Lead Wire	3' 18/2 UL
Mounting	PVC Mounting Sleeve



HARDSCAPE

12V
AC

SOLID
BRASS

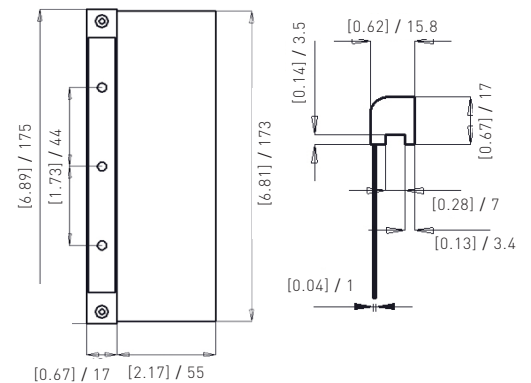
IP
54

LAMP
HL-1 4 WATT LED
HL-2 G4

HL-1

SPECIFICATIONS

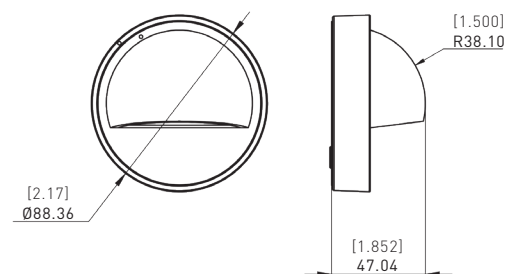
Body Material	Solid Brass
Wattage	4W integrated
Color Temp	2700K
Lead Wire	3' 18/2 UL
Lumen Output	80 lm



HL-2

SPECIFICATIONS

Body Material	Solid Brass
Max Wattage	35W
Lead Wire	3' 18/2 UL
Lens	Frosted



illuminFx reserves the right to make changes to specifications at any time with or without notice

[inches] / millimeters

PATH & AREA

12V
AC

SOLID
BRASS

IP
54

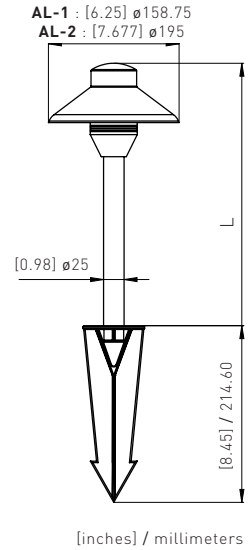
LAMP
G4

AL1-S18



SPECIFICATIONS

Body Material	Solid Brass
Max Wattage	35W
Lead Wire	6' 18/2 UL
Spike	PVC
Lens	Polycarbonate
Stem	18" w/stake and socket



AL2-S18



STEMS

Stem extensions are available in two lengths and are ordered separately (Stems DO NOT include stake or socket and also work with OB series):

S06 : 6" **S12** : 12" **S18** : 18"

12V
AC

SOLID
BRASS

IP
54

LAMP
G4

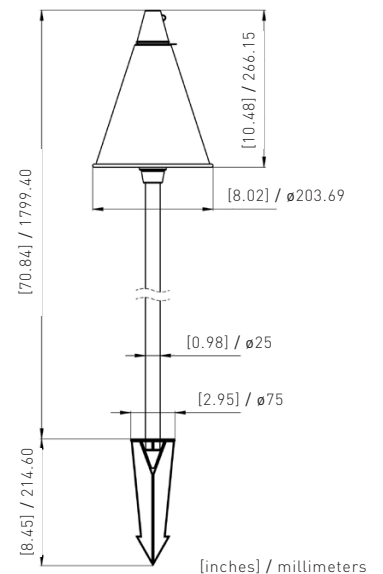
AL3-S61



SPECIFICATIONS

Body Material	Solid Brass
Max Wattage	35W
Lead Wire	10' 18/2 UL
Spike	PVC
Lens	Polycarbonate

This path light fixture has a removable top that reveals a kerosene wick. Fill the fixture with kerosene to illuminate without electricity. Or use a 12VAC G4 lamp.



F I B E R
O P T I C S

ABOUT FIBER OPTICS



FIBER OPTICS

A NIGHTTIME PARADISE

right in your own backyard!

BENEFITS

Fiber Optic Lighting has numerous advantages over traditional electric lighting systems.

- Multiple "end points" of light, or light fixtures may be illuminated by just one light bulb.
- No heat or electricity travels through the fibers, making the fiber safe for many environments.
- The light source may be positioned in a remote location away from the light output, allowing easy access to the source for lamp changes.
- A color wheel can be placed between the light source and the fiber to create colored light.

Illuminate your water feature more beautifully than you've ever dreamed possible. Imagine, fixtures as small as a pen cap casting brilliant, bright light onto your waterfalls, streams, plants, landscape, and more.

Put light in places never before thought possible. Shallow stream beds, upit marginal plants, beautifully illuminated water lilies...All made possible with **illuminFx**, the first fiber optic lighting kit designed specifically for ponds and water features.

DESCRIPTION

The **illuminFx** Fiber Optic Pond Lighting System consists of a specialized light source enclosed in a box called an illuminator. Up to sixteen individual fiber optic cables are bundled together at one end and terminate in front of the light source inside the illuminator.

Light is transmitted into the common end of the fiber optic cables, travels through the cables and out the other end, illuminating whatever the designer specifies. **illuminFx** fixtures may be positioned underwater, next to the water, out of the water, between rocks, or virtually anywhere one wishes to place them.

A dichotic glass color wheel is placed between the light source and the input end of the fiber optic harness, giving the user the ability to change the color of the light. The wheel may be stopped at one color (white, blue, green, or magenta) or rotate continuously from color to color.

FEATURES

- **Small Fixtures** – out fixtures are about 1/2" diameter at the widest point and are around the size of a ball point pen cap. They are very easy to place and hide virtually anywhere in and around the pond.
- **Hassle Free** – Just one light bulb is able to illuminate up to 16 separate light fixtures. Once placed, only one easy accessible light bulb ever needs to be changed.
- **Koi Friendly** – No electricity, heat or UV in fiber tubing
- **Color Change Options** – Each system includes a 4 color rotating wheel allowing the user to specify white, green, magenta, or blue light. Or the user can slowly cycle through each color. Ideal for holiday lighting.

ORDERING GUIDE



All Fiber Optic Lighting Kits Include: Illuminator with 4 color wheel, pre-cut, pre-assembled fiber optic cable harness with designated number of fixtures, and installation/maintenance manuals.

SERIES 2 kit include a 250W quartz halogen illuminator with rated lamp life of 400-700 hours. This illuminator offers instant-on and lowest cost.

SERIES 6 kit include a 150W metal halide illuminator with tated lamp life of 6000 hours. Our brightest, most energy efficient illuminator, requires several minutes to full brightness, and a 3-5 minute restrike time.

Kit Type	Part Numbers	Fiber Cable Length and Quantity (EEF-25, Sunburst)						
		10'	12'	16'	18'	20'	22'	30'
4-Light	AQ-2404		2	2				
8-Light	AQ-2408, AQ-6408	2	2			4		
12-Light	AQ-2412, AQ-6412	2	4		2	2	2	
16-Light	AQ-2416, AQ-6416		6			2	4	4
Custom	Custom Configuration	Any length combination, max. cable length = 50'						

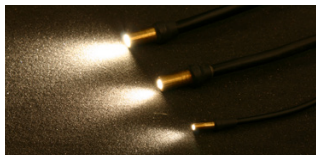
SERIES 7 High Light Output kits include a 150W metal halide illuminator with rated lamp life of 6000 hours. Each fiber optic cable contains twice as many fibers as our popular Series 2/6 kits.

Kit Type	Part Numbers	Fiber Cable Length and Quantity (EEF-50, Sunburst II)		
		20'	30'	40'
4-Light	IX-7404	2	2	
6-Light	IX-7406	2	2	2
8-Light	IX-7408	2	4	2
Custom	Custom Configuration	Any length combination, max. cable length = 50'		



OTHER END EMITTING FIBER

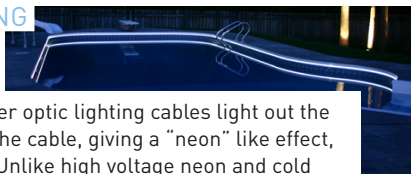
In addition to our popular Series 2/6/7 kits, **illuminFx** also offers several different sizes of end emitting fiber optic cables to achieve almost any desired lighting effect. Our Twinkle and Moonbeam fiber is perfect for a subtler, localized lighting effect such as small plants, steps, etc. **illuminFx** will customize a lighting harness specific to your needs.



Part No.	Description	Light Output
EEF-06	"Twinkle"	Black PVC base jacket, 6 fibers
EEF-12	"Moonbeam"	Black PVC base jacket, 12 fibers
EEF-25	"Sunburst"	Black PVC base jacket, 25 fibers
EEF-50	"Sunburst II"	Black PVC base jacket, 50 fibers

SIDE EMITTING FIBER

Side emitting fiber optic lighting cables light out the entire length of the cable, giving a "neon" like effect, but much safer. Unlike high voltage neon and cold cathode systems, our side emitting fiber is flexible, can change colors, and carries no electricity. Therefore, it can be placed in and around water, in locations that are difficult to reach, and in places where electricity is no desired or possible. This SEF fiber is available in several possible sizes.



Part No.	Description	Light Output
SEF-25	Clear PVC Jacket, 25 fibers, round	
SEF-50	Clear PVC Jacket, 50 fibers, round	
SEF-75	Clear PVC Jacket, 75 fibers, round	
SEF-100	Clear PVC Jacket, 100 fibers, round	
SEFFB-25	Clear PVC Jacket, 25 fibers, Flat back (for pools)	
SEFFB-50	Clear PVC Jacket, 50 fibers, Flat back (for pools)	

F L E X I B L E
L I G H T I N G



Flex Light

Standard
Brightness

SLIMFLEX

SFT35-60

SLIMFLEX



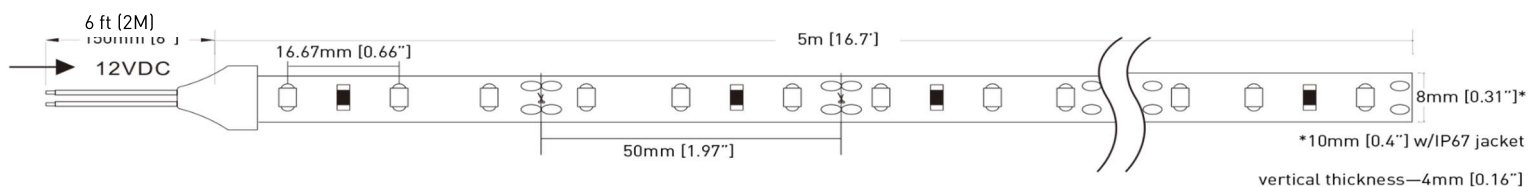
Top bending SlimFlex is a Flexible, low profile linear lighting product which is perfect for applications requiring even illumination along a linear distance, like caps on seating walls, counter edges, steps, undercabinet, inside cabinet, deck railings and countless other applications.

- Features Designed for Professional Installation
- UL Listed
- Top bending
- Max run 32.9 Ft
- 2" cutting interval
- 2M (78") Lead wire
- Indoor and outdoor models available

SPECIFICATIONS

Wattage	1.45W/ft 4.8W/M
Input Voltage	12VDC
Efficacy	75 LM/W @3000K
Color temp.	2800K 3000K 4000K 5000K Blue
Cutting Interval	50mm ~2"
LEDs/meter	60
Lumens	2800K - 109LM/ft 3000K - 109LM/ft 4000K - 119LM/ft 6500K - 122LM/ft
CRI	90+
Max run:	32.9 ft 10M
PCB Width	8mm
Environment	IP20 IP67 IP68
Dimmable:	Yes
Warranty:	5 Years indoor 3 years Outdoor

DIMENSIONS



ORDERING GUIDE

SERIES	LEDs/M	INPUT VOLTS	CCT	IP RATING	REEL PKG LENGTH
SFT35	60	1	928	68	10M
SFT35	60	1 - 12VDC	924 - 2400K	20 - IP20 Indoor	5M - 5M length
		2 - 24VDC	928 - 2800K	67 - IP67 Outdoor	10M - 10M length
			930 - 3000K	68 - Outdoor Waterproof	CSTM - Custom Length
			940 - 4000K		
			965 - 6500K		
			B - Single Color Blue		

IlluminFx reserves the right to make changes to specifications at any time with or without notice



IlluminFx Lighting Systems
22 Harcourt Road | Rochester, NY 14606 USA
www.illuminfx.com | info@illuminfx.com | 585-254-8010
SFT35 60 2311

CONNECTORS IP68

SLIMFLEX

SCA



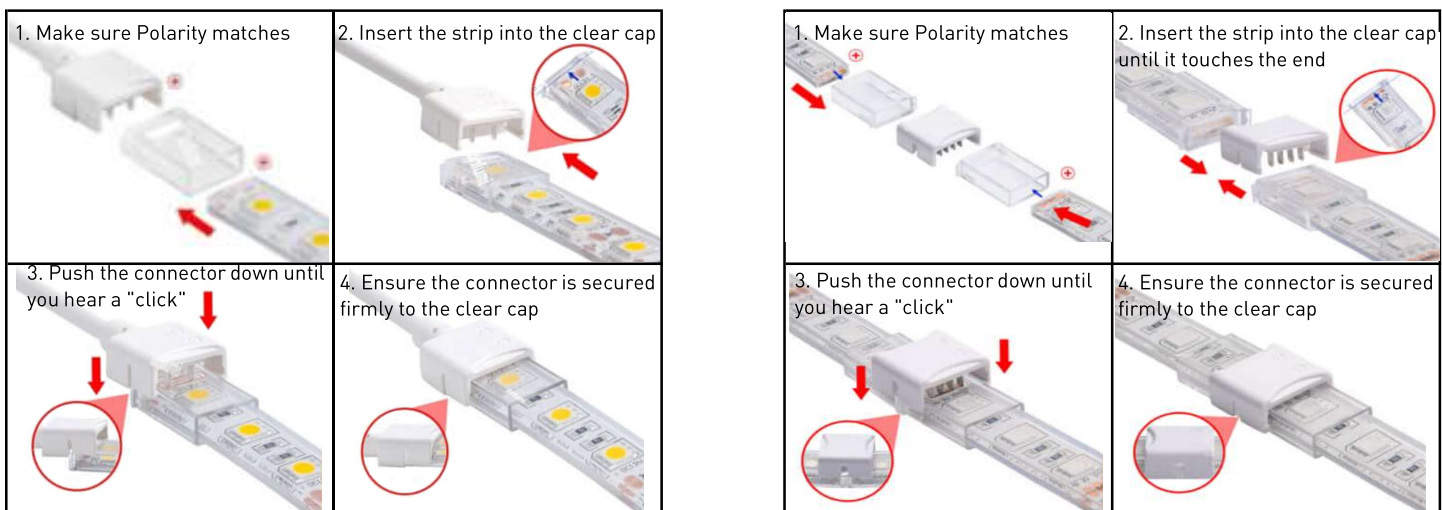
Easy to use connectors for IP68 Solid Body Silicone Top bending SlimFlex.

- Features Designed for Professional Installation
- Strip to Strip, Strip to Wire, Strip-Wire-Strip
- For Flexible PCBs
- wire gauge 20 AWG
- CE, RoHS

ORDERING GUIDE

SERIES	STRIP WIDTH	# OF PINS	CONNECTOR TYPE	WIRE LENGTH (mm)	PKG QTY
SCA	10	4	SW	1000	5
SCA	8	2 (single color)	SS	0 - no wire	5 pcs
	10	3 (adj CCT)	SWS	80 - 3 1/8" (80mm)	
	12	4 (RGB)	SW	1000 - 39" (1000mm)	
		5 (RGBW)			

INSTALLATION GUIDE



IlluminFx reserves the right to make changes to specifications at any time with or without notice

LOW OUTPUT oslo

SLIMFLEX

LED Tape Light

SFT



SLIMFLEX SFT :

The SlimFlex Low Output SFT series low brightness product is a simple to use LED light strip. Anywhere that tape can go, so can the illuminFx LED SlimFlex line. Use under banisters, around stairs, under counters, as cove lighting, or as general accent lighting for almost any application. This Low Output versions allows for use where lower light is desirable. Additionally, the low output product is an extremely affordable option.

- 2 year warranty
- Long life Epistar LED

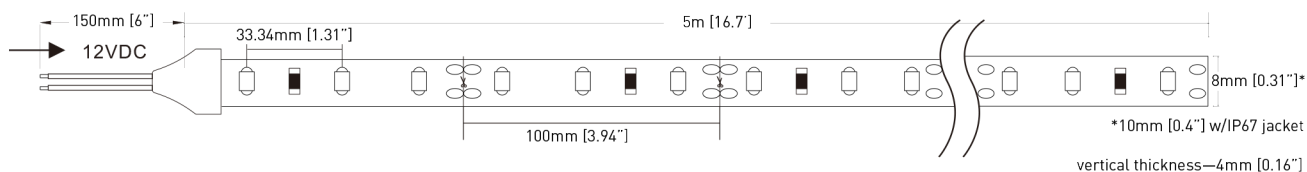
SPECIFICATIONS

Housing	Molded silicon sleeve
Voltage	Single Color —12V DC
Length	5m [16.7'] per reel
Cuttable	Single Color —Every ~4"
Power	Single Color —12W [2.4W/m]
Max Connection	10m [33.4'] [2 reels]
Current	Single Color —100mA/m
Humidity	90% RH
Ambient Temp	-40°F ~ 140°F
CRI	>Ra80
Min. Buckling Radius	>50mm

ACCESSORIES (per reel)

End Cap	5	
Mounting Clip	15	

DIMENSIONS



Model Number	Current	Watts/m	Color	Total Watts	Cord Termination	LUM Flux/m	Voltage
SFT35-30-1-822-67	100 mA/m	2.4W/m	Antique White 2200K	12W	2-wire	160	12Vdc
SFT35-30-1-824-67	100 mA/m	2.4W/m	Antique White 2400K	12W	2-wire	160	12Vdc
SFT35-30-1-828-67	100 mA/m	2.4W/m	Warm White 2800K	12W	2-wire	180	12Vdc
SFT35-30-1-830-67	100 mA/m	2.4W/m	Warm White 3000K	12W	2-wire	180	12Vdc



illuminfx

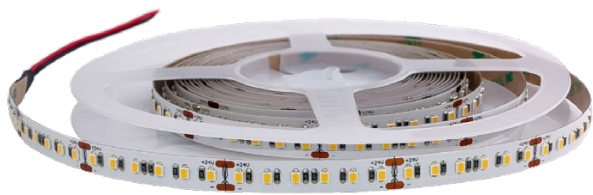
illuminFx reserves the right to make changes to specifications at any time with or without notice

HIGH OUTPUT oslo

SLIMFLEX

LED Tape Light

SFT



SLIMFLEX SFT :

The SlimFlex High Output SFT series high brightness product is a simple to use LED light strip. Anywhere that tape can go, so can the illuminFx LED SlimFlex line. Use under banisters, around stairs, under counters, as cove lighting, or as general accent lighting for almost any application. This High Output versions allows for maximum light output in a very small area. To make it as easy to use in all situations, SFT28 is CUTTABLE every ~2".

- 2 year warranty
- Very High CRI Ra 94

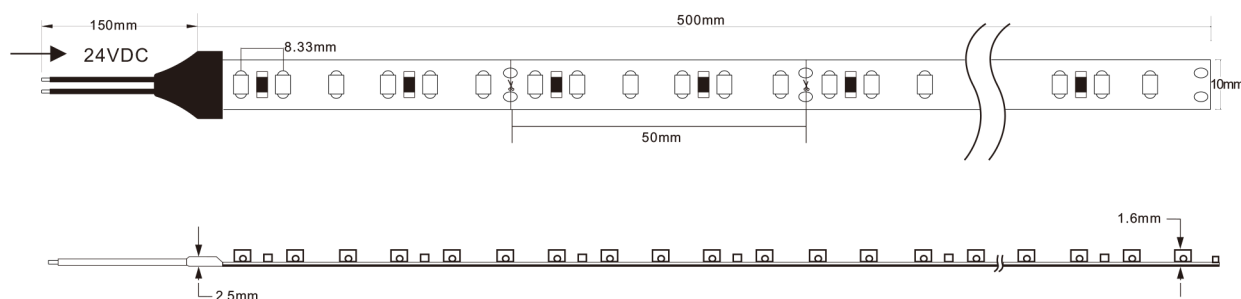
SPECIFICATIONS

Dimensions	5m x 10mm x 1.6mm
Voltage	Single Color—24V DC
Power	115W (23 Watt/meter)
Cuttable	Yes - Every 2inches/6 LEDs
Lumens	1500/m
Current	950mA/m
Humidity	90% RH
Ambient Temp	-40°F ~ 140°F
CRI	Ra/CRI 94
Beam Spread	120°
Min. Buckling Radius	>50mm

ACCESSORIES (per reel)

End Cap	5	
Mounting Clip	15	

DIMENSIONS



Model Number	Current	Watts/m	Color	Total Watts	Cord Termination	LUM Flux/m	Voltage
SFT28-120-2-935-20	950 mA/m	23W/m	Warm White 3500K	115W	2-wire	1500	24Vdc
SFT28-120-2-960-20	950 mA/m	23W/m	Cool White 6000K	115W	2-wire	1700	24Vdc



RIO

SLIMFLEX

RGBW LED Tape Light

SFT

SPECIFICATIONS

Housing	IP67—Molded silicon sleeve
Voltage	RGBW—24V DC
Length	5m [16.7'] per reel
Cuttable	RGBW—Every ~6.5"
Power	RGBW—72W [14.4W/m]
Max Connection	10m [33.4'] [2 reels] (UL: ~23')
Current	24v—600mA/m
Humidity	90% RH
Ambient Temp	-40°F ~ 140°F
CRI	>Ra80 (warm white only)
Min. Buckling Radius	>50mm

ACCESSORIES (per reel/IP67 only)

End Cap	5	
Mounting Clip	15	

RoHS Compliant

CE

UL LISTED

IP20

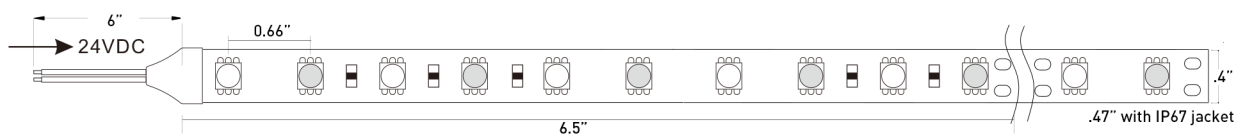
IP67
OUTDOOR RATED



SLIMFLEX SFT :

The SlimFlex SF series high brightness product is a simple to use LED light strip. Anywhere that tape can go, so can the illuminFx LED SlimFlex line. Use under banisters, around stairs, under counters, as cove lighting, or as general accent lighting for almost any application. To make it as easy to use in all situations, SlimFlex is CUTTABLE. This new RGBW strip will also give you access to a high quality warm white as well as the huge array of colors from the RGB color portion of the strip.

- Long life Epistar LED
- 2 year warranty

DIMENSIONS



Model Number	Current	Watts/m	Color	Total Watts	Cord Termination	LUM Flux/m	IP Rating
SFT50-60-2-RGBW-20	6 amps/m	14.4W/m	RGBW 	72W	5-wire	630LM	20
SFT50-60-2-RGBW-67	6 amps/m	14.4W/m	RGBW 	72W	5-wire	630LM	67

SLIMFLEX

EZ CONNECTOR KITS

EZ



CONNECTOR KITS EZ :

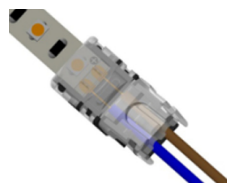
The EZ Connector Kits contain all the components needed to make quick in the field SlimFlex connections.

PART# SF-EZK-SW2P-20

For quick **Strip to Wire** connections of **SINGLE COLOR SLIMFLEX**

Kit Includes:

- (10) 2-pin Crimp down Connectors
- (10) 4to1 adhesive lined clear heat shrink
- (33') 20/2 AWG wire
- (1) 1oz tube silicon sealant



PART# SF-EZK-SS2P-20

For quick **Strip to Strip** connections of **SINGLE COLOR SLIMFLEX**

Kit Includes:

- (10) 2-pin Crimp down Connectors
- (10) 4to1 adhesive lined clear heat shrink
- (1) 1oz tube silicon sealant

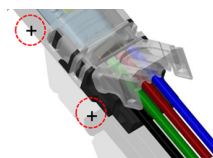


PART# SF-EZK-SW4P-20

For quick **Strip to Wire** connections of **RGB COLOR CHANGING SLIMFLEX**

Each Kit Includes:

- (10) 4-pin Crimp down Connectors
- (10) 4to1 adhesive lined clear heat shrink
- (33') 22/4 AWG wire
- (1) 1oz tube silicon sealant

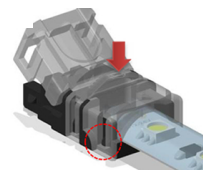


PART# SF-EZK-SS4P-20

For quick **Strip to Strip** connections of **RGB COLOR CHANGING SLIMFLEX**

Each Kit Includes:

- (10) 4-pin Crimp down Connectors
- (10) 4to1 adhesive lined clear heat shrink
- (1) 1oz tube silicon sealant

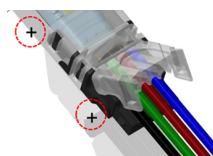


PART# SF-EZK-SW5P-20

For quick **Strip to Wire** connections of **RGBW COLOR CHANGING SLIMFLEX**

Each Kit Includes:

- (10) 4-pin Crimp down Connectors
- (10) 4to1 adhesive lined clear heat shrink
- (33') 22/5 AWG wire
- (1) 1oz tube silicon sealant



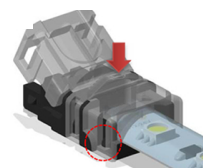
*4pin connector shown

PART# SF-EZK-SS5P-20

For quick **Strip to Strip** connections of **RGBW COLOR CHANGING SLIMFLEX**

Each Kit Includes:

- (10) 4-pin Crimp down Connectors
- (10) 4to1 adhesive lined clear heat shrink
- (1) 1oz tube silicon sealant





SIDE OUT oslo

SLIMFLEX

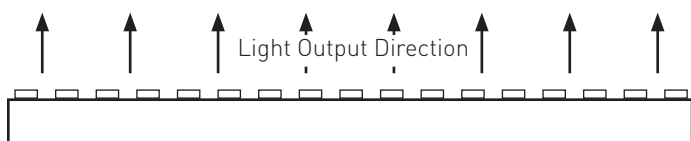
LED Tape Light

SFS



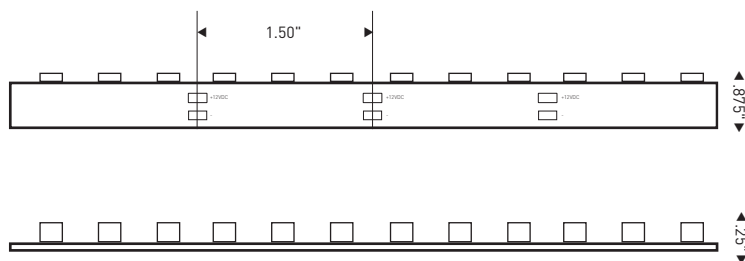
SLIMFLEX SFS :

The SlimFlex SFS series is a side view LED strip light. Unlike the standard SlimFlex line, the SFS series projects the light out the thin side of the SlimFlex (see diagram below)



This makes it perfect for wrapping around columns or around other curved surfaces where you want the light to shine down, NOT out. Dimmable with most PWM dimmers (such as IFX's LDC series), or with IFX's MD series transformers with a standard LV dimmer.

DIMENSIONS



Model Number	Watts/ft	Color	Total Watts	LUM Flux/ft	Cord Termination	Voltage
SFS35-60-1-828-67	1.9W/ft	Warm White 2800K	31W	180	2-wire	12Vdc
SFS35-60-1-830-67	1.9W/ft	Warm White 3000K	31W	192	2-wire	12Vdc
SFS35-60-1-857-67	1.9W/ft	Cool White 5700K	31W	212	2-wire	12Vdc
SFS35-60-1-B-67	1.9W/ft	Blue	31W	28	2-wire	12Vdc

SPECIFICATIONS

Dimensions	16ft x 0.875" x 0.25"
Voltage	Single Color—12V DC
Power	31W (1.9Watt/foot)
Cuttable	Yes - Every 1.5" (every 3 LEDs)
LED Quantity	384 LEDs per reel / 24 per/ft
LED Type	3825 SMD
CRI	>Ra80
Life	>30,000 hours
Operating Temp	-40°F ~ 140°F
Beam Spread	>120°
Min. Buckling Radius	>50mm

ACCESSORIES (per reel)

End Cap	5	
Mounting Clip	15	



RIO

SLIMFLEX

Digital

SFD



SLIMFLEX SFD :

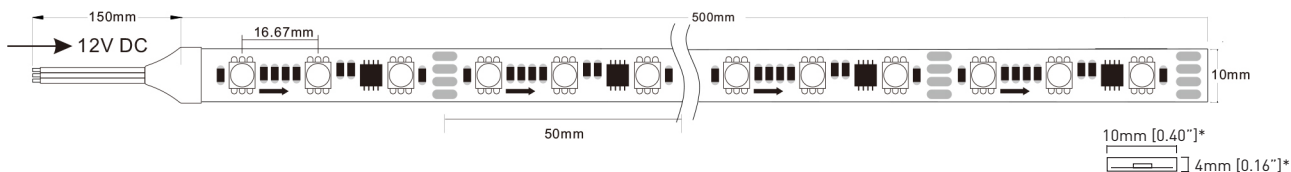
The SlimFlex SFD line of SlimFlex is a DIGITAL LED strip that can be used with most SPI lighting controllers. Digital Strip allows you to have each section of the SlimFlex be a different color at the same time. This allows you to create chasing effects along the length of the SlimFlex.

- Long life Epistar LED
- 2 year warranty

Housing	IP20 / IP67—Molded silicon sleeve
Voltage	12V DC
Length	5m [16.7'] per reel
Cuttable	Every ~2"
Power	72W [14.4W/m]
Max Connection	10m [33.4'] [2 reels]
Current	12v—1200mA/m
Humidity	90% RH
Ambient Temp	-40°F ~ 176°F
Lumens	360 lm/M
Min. Buckling Radius	>50mm
IC Type	WS2811
End Cap	5
Mounting Clip	15



DIMENSIONS



Model Number	Current	Watts/m	Color	Total Watts	Cord Termination	LUM Flux/m	IP Rating
SFD50-60-1-RGB-20	12 amps/m	14.4W/m	RGB	72W	3-wire	360LM	20
SFD50-60-1-RGB-67	12 amps/m	14.4W/m	RGB	72W	3-wire	360LM	67



Catalog Number _____
 Type _____
 Job _____

S1707

SURFACE MOUNTING TRACK
 FOR SLIMFLEX LED PRODUCT



SPECIFICATIONS



Model#	S1707
Material	Aluminum 6063-T5
Surface	Anodized/Painting
Colors/Finish	Aluminum, White/Black
PC Cover	Diffuser/Transparent/Opal
Lighting Source Width	up to 10mm
Available Lengths	1 meter Special order : 4ft / 8ft

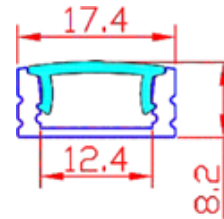
PRODUCT IMAGE



ACCESSORIES



DIMENSIONS





Catalog Number _____
 Type _____
 Job _____

S2208

CLIP MOUNT TRACK
 FOR SLIMFLEX LED PRODUCT

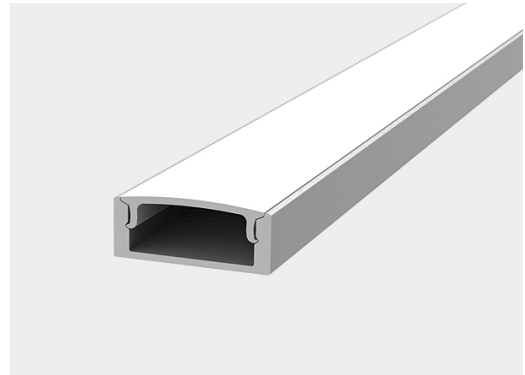


SPECIFICATIONS

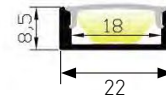


Model#	S2208
Material	Aluminum 6063-T5
Surface	Anodized/Painting
Colors/Finish	Aluminum, White/Black
PC Cover	Diffuser/Transparent/Opal
Lighting Source Width	up to 12mm
Available Lengths	1 meter Special order : 4ft / 8ft

PRODUCT IMAGE



DIMENSIONS



ACCESSORIES

COVER



END CAPS



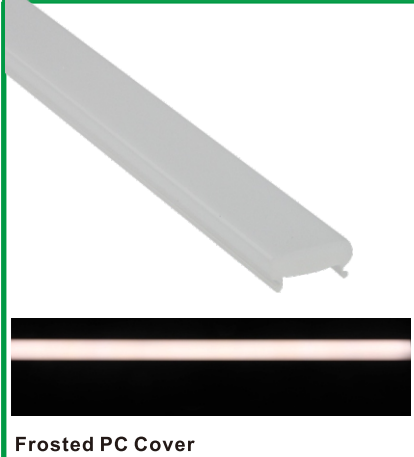
MOUNTING CLIPS



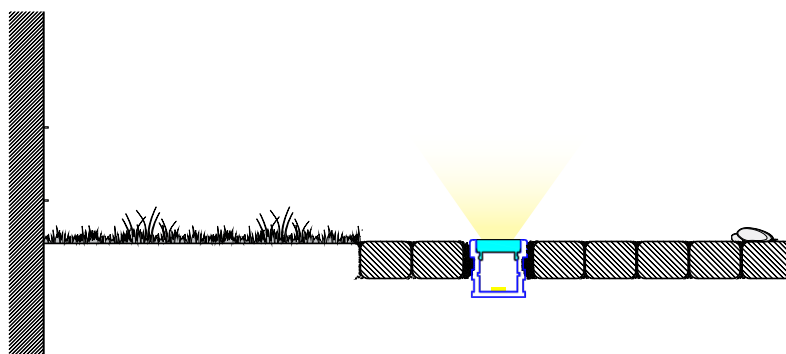
DIAGRAMS

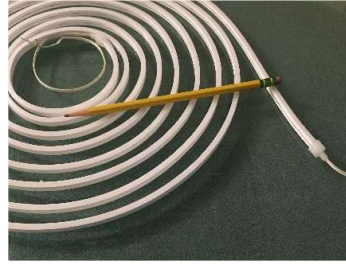


Floor LED Aluminum Profile-C2626



Service Environment and Installation:





Flex Light

MINI SIDE
BENDING

NEOGLOW

NGS0408

NEOGLOW



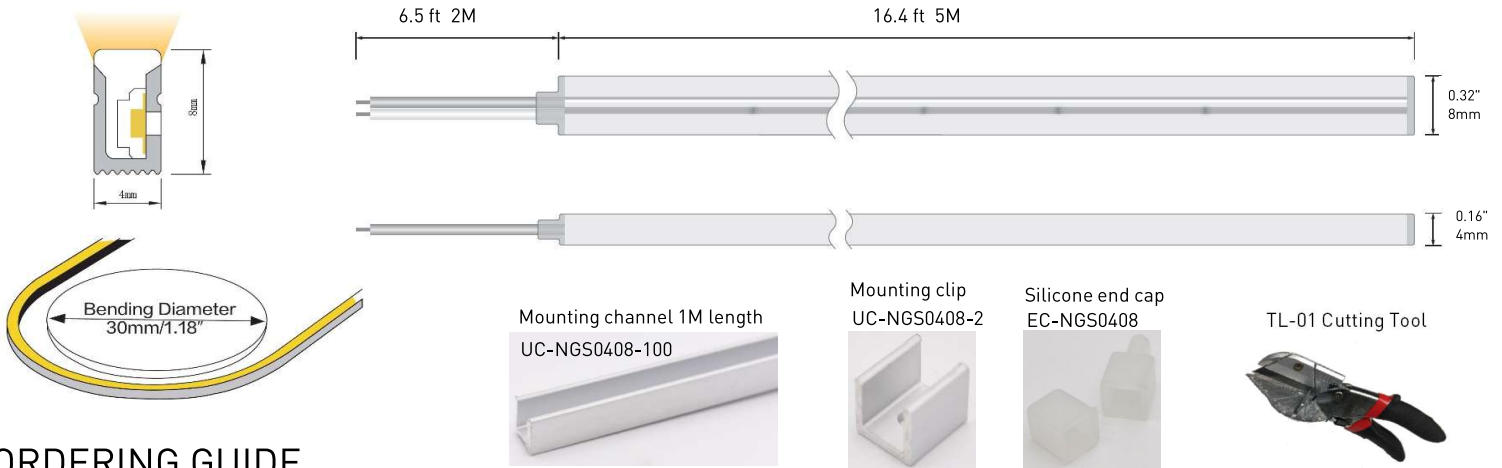
Mini Side Bending NeoGlow is a flexible, low profile linear lighting product, perfect for applications requiring smooth illumination along a linear distance, like caps on seating walls, counter edges, steps, undercabinet, inside cabinet, deck railings and countless other applications.

- Features Designed for Professional Installation
- UL Listed
- Side bending
- Max run 16.4 Ft
- 2" cutting interval (2 silicone end caps included)
- 2M (78") Lead wire at each end
- Works on Standard 12VAC Landscape Lighting Transformer

SPECIFICATIONS

Wattage	1.8W/FT 6W/M
Input Voltage	12VAC
Efficacy	42 LM/W @3000K
Color temp.	2700K 3000K 4000K
Cutting Interval	50mm 2"
LEDs/meter	120
Lumens	2700K - 73LM/ft 3000K - 68LM/ft 4000K - 76LM/ft
CRI	90+
Max run:	16.4 ft 5M
Profile Dim. WxH	4mm x 8mm 0.16" x 0.32"
Environment	IP65
Housing:	Silicone Extrusion with milky white diffuser
Dimmable:	Yes
Warranty:	3 years

DIMENSIONS



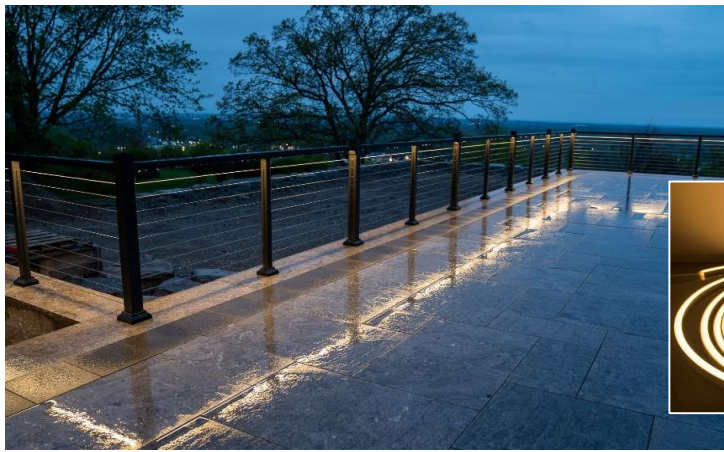
ORDERING GUIDE

SERIES	LEDs/M	INPUT VOLTS	CRI/CCT	IP RATING	REEL PKG LENGTH
NGS04F28	120	1A	930	65	5M
	120	1A - 12VAC	927 - 2700K	65 - IP65 Outdoor	5M - 5M length
		2D - 24VDC	930 - 3000K		CSTM - Custom Length
		940 - 4000K			

IlluminFx reserves the right to make changes to specifications at any time with or without notice

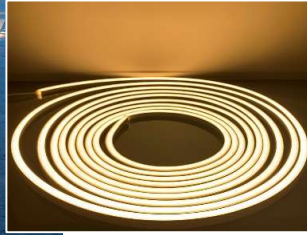


IlluminFx Lighting Systems
22 Harcourt Road | Rochester, NY 14606 USA
www.illuminfx.com | info@illuminfx.com | 585-254-8010
NGS04 e2401



Flex Light
NEOGLOW
 NGS1010

SIDE BENDING



NEOGLOW



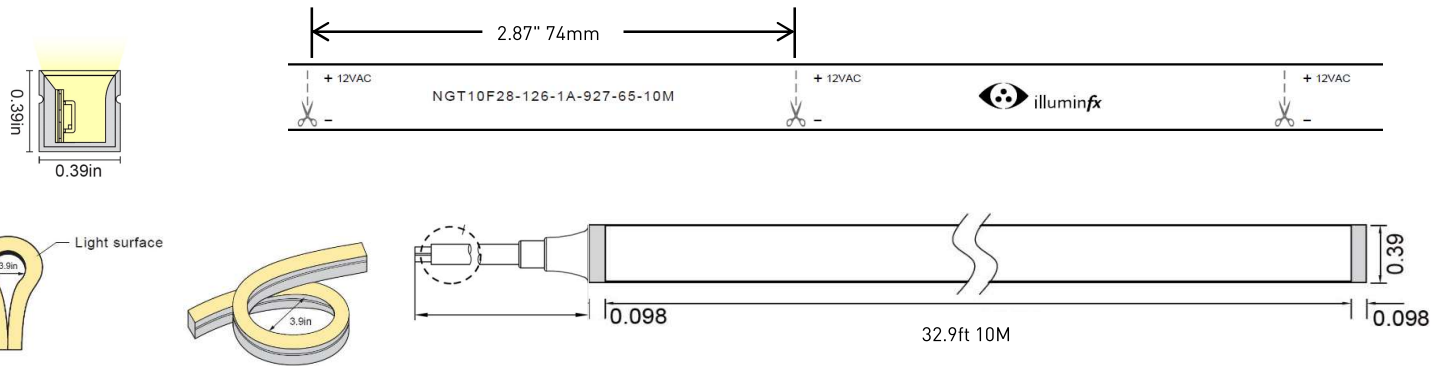
Side Bending NeoGlow is a Flexible, low profile linear lighting product, perfect for applications requiring smooth illumination along a linear distance, like caps on seating walls, counter edges, steps, undercabinet, inside cabinet, deck railings and countless other applications.

- Features Designed for Professional Installation
- UL Listed
- Side bending
- Max run 32.9 Ft
- 3" cutting interval
- 2M (78") Lead wire
- Works on Standard 12VAC Landscape Lighting Transformer

SPECIFICATIONS

Wattage	3W/FT 10W/M
Input Voltage	12VAC/DC Constant Current
Efficacy	75 LM/W @3000K
Color temp.	2700K 3000K 4000K
Cutting Interval	74mm 2.87"
LEDs/meter	126
Lumens	2700K - 225LM/ft 3000K - 225LM/ft 4000K - 252LM/ft
CRI	90+
Max run:	32.9 ft 10M
Profile Dim. WxH	10mm x 10mm ~3/8" x 3/8"
Environment	IP65
Housing:	Silicone Extrusion with milky white diffusor
Dimmable:	Yes
Warranty:	5 Years indoor 3 years Outdoor

DIMENSIONS



ORDERING GUIDE

SERIES	LEDs/M	INPUT VOLTS	CRI/CCT	IP RATING	REEL PKG LENGTH
NGS10F28	126	1A	930	65	10M
	126	1A - 12VAC	927 - 2700K	65 - IP65 Outdoor	5M - 5M length
		2D - 24VDC	930 - 3000K		10M - 10M length
		940 - 4000K	CSTM - Custom Length		

illuminFx reserves the right to make changes to specifications at any time with or without notice



illuminFx Lighting Systems
 22 Harcourt Road | Rochester, NY 14606 USA
 www.illuminfx.com | info@illuminfx.com | 585-254-8010
 NGS10 e2401



TOP BENDING

Flex Light

NEOGLOW

NGT1010

NEOGLOW



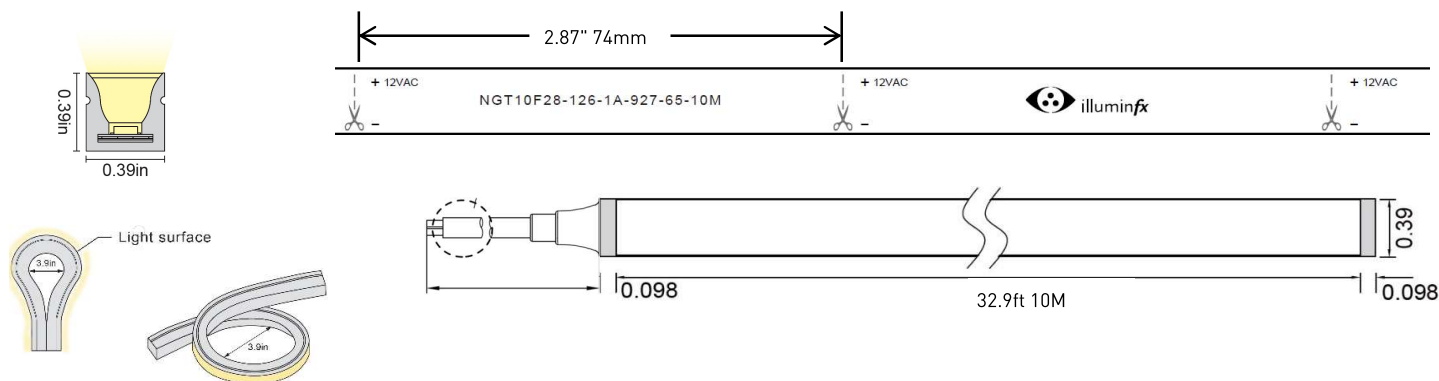
Top bending NeoGlow is a Flexible, low profile linear lighting product which is perfect for applications requiring even illumination along a linear distance, like caps on seating walls, counter edges, steps, undercabinet, inside cabinet, deck railings and countless other applications.

- Features Designed for Professional Installation
- UL Listed
- Top bending
- Max run 32.9 Ft
- 3" cutting interval
- 2M (78") Lead wire
- Works on Standard 12VAC Landscape Lighting Transformer

SPECIFICATIONS

Wattage	3W/FT 10W/M
Input Voltage	12VAC/DC Constant Current
Efficacy	75 LM/W @3000K
Color temp.	2700K 3000K 4000K
Cutting Interval	74mm 2.87"
LEDs/meter	126
Lumens	2700K - 225LM/ft 3000K - 225LM/ft 4000K - 252LM/ft
CRI	90+
Max run:	32.9 ft 10M
Profile Dim. WxH	10mm x 10mm ~3/8" x 3/8"
Environment	IP65
Housing:	Silicone Extrusion with milky white diffusor
Dimmable:	Yes
Warranty:	5 Years indoor 3 years Outdoor

DIMENSIONS



ORDERING GUIDE

SERIES	LEDs/M	INPUT VOLTS	CRI/CCT	IP RATING	REEL PKG LENGTH
NGT10F28	126	1A	927	65	10M
	126	1A - 12VAC	927 - 2700K	65 - IP65 Outdoor	5M - 5M length
		2D - 24VDC	930 - 3000K		10M - 10M length
		940 - 4000K	CSTM - Custom Length		

illuminix reserves the right to make changes to specifications at any time with or without notice



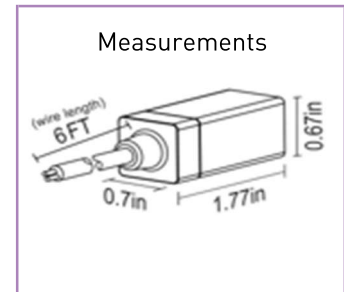
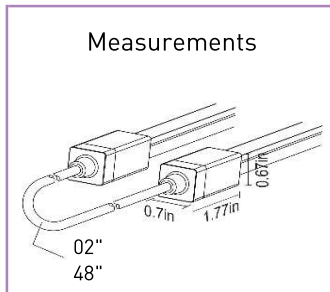
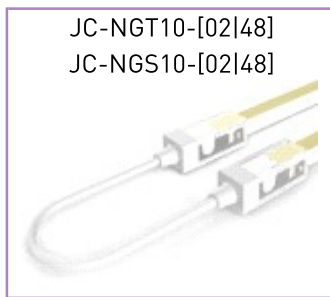
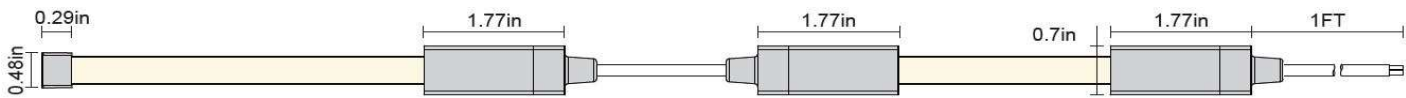
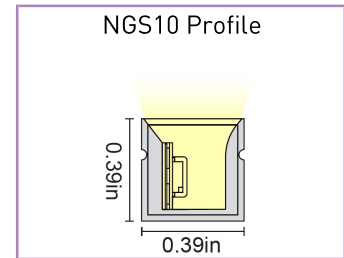
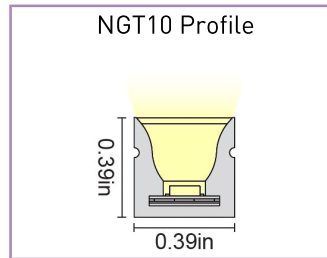
illuminix Lighting Systems
 22 Harcourt Road | Rochester, NY 14606 USA
 www.illuminix.com | info@illuminix.com | 585-254-8010
 NGT10 e2401

CONNECTORS IP65

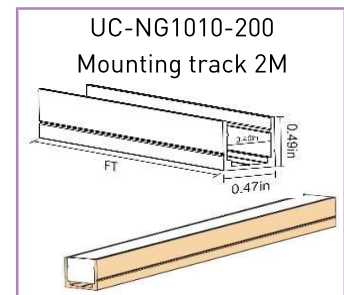
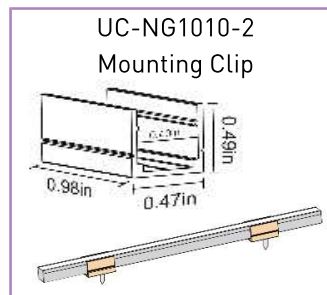
NEOGLOW NG10

Easy to use connectors for IP65 10mm x 10mm Side and Top bending NeoGlow.

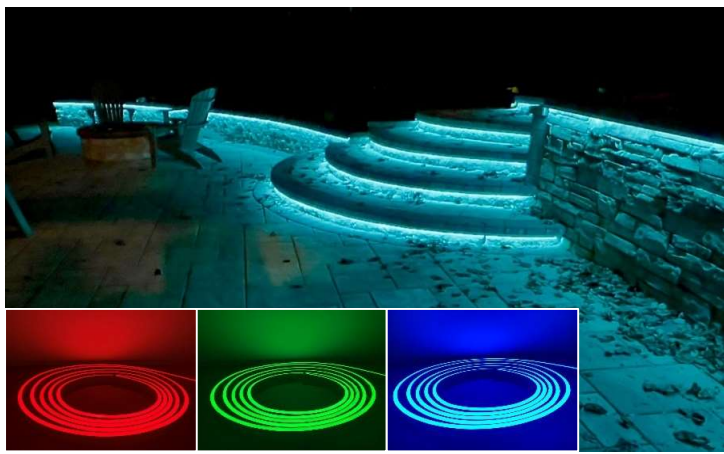
- Features Designed for Professional Installation
- Strip to Wire, Strip-Wire-Strip
- wire gauge 22 AWG
- CE, RoHS, Reach
- 2M (78") Lead wire



- EC-NG10 silicone end cap requires silicone glue adhesive
- JC-type connectors are available with 2" and 48" jumper wires
- NGS parts are for Side Bending and NGT parts are for Top Bending NeoGlow



IlluminFx reserves the right to make changes to specifications at any time with or without notice



Flex Light

MINI SIDE
BENDING

NEOGLOW
RGB
NGS0612

NEOGLOW



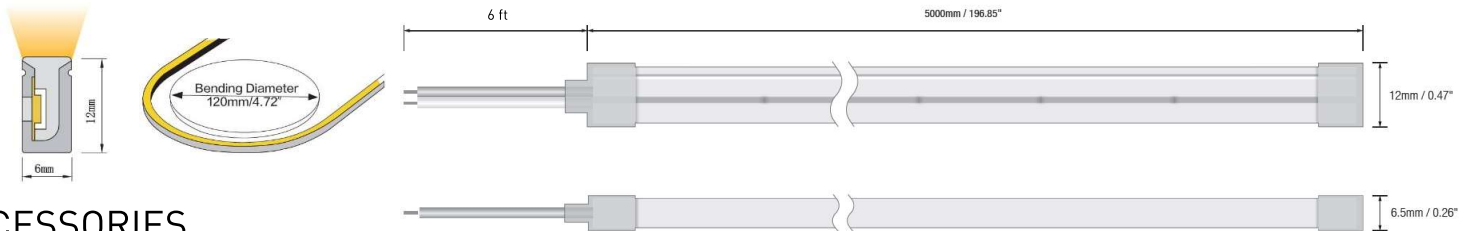
Side Bending NeoGlow is a Flexible, low profile linear lighting product, perfect for applications requiring smooth illumination along a linear distance, like caps on seating walls, counter edges, steps, undercabinet, inside cabinet, deck railings and countless other applications.

- Features Designed for Professional Installation
- UL Listed
- Side bending
- Max run 16.4 Ft
- 2" cutting interval
- 2M (78") Lead wire at each end

SPECIFICATIONS

Wattage	3W/FT 9.6W/M
Input Voltage	24VDC (23.5 - 24.5)
Light Output	148 Lumens/Meter
Color	RGB
Cutting Interval	2" 50mm
LEDs/meter	96
Wavelengths	Red - 620-625NM
	Green - 530-535NM
	Blue - 470-475NM
Max run:	16.4 ft 5M
Profile Dim. WxH	~.24" x .47" 6mm x 12mm
Environment	IP65 -13°F to 113° F
Housing:	Silicone Extrusion with milky white diffuser
Dimmable:	Yes
Warranty:	3 years

DIMENSIONS



ACCESSORIES



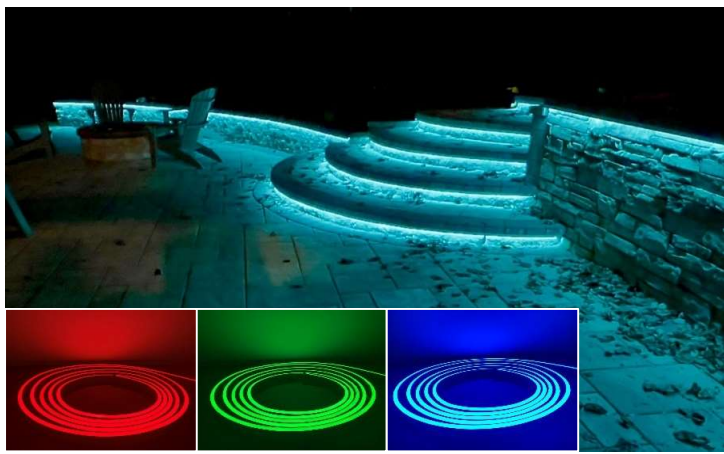
ORDERING GUIDE

SERIES	LEDs/M	INPUT VOLTS	CRI/CCT	IP RATING	REEL PKG LENGTH
NGS0612	96	2D - 24VDC	RGB	65	5M
	96	2D - 24VDC	RGB	65 - IP65 Outdoor	5M - 5M length
					CSTM - Custom Length

IlluminFx reserves the right to make changes to specifications at any time with or without notice

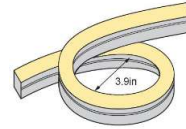


IlluminFx Lighting Systems
22 Harcourt Road | Rochester, NY 14606 USA
www.illuminfx.com | info@illuminfx.com | 585-254-8010
NGS0612 RGB e2401



Flex Light

SIDE BENDING



NEOGLOW
RGB
NGS1120

NEOGLOW



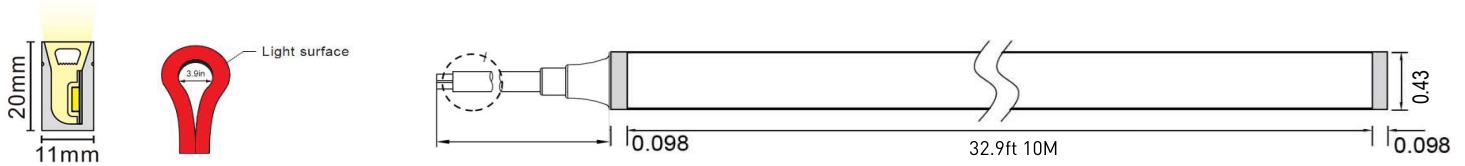
Side Bending NeoGlow is a Flexible, low profile linear lighting product, perfect for applications requiring smooth illumination along a linear distance, like caps on seating walls, counter edges, steps, undercabinet, inside cabinet, deck railings and countless other applications.

- Features Designed for Professional Installation
- UL Listed
- Side bending
- Max run 32.9 Ft
- 3" cutting interval
- 2M (78") Lead wire

SPECIFICATIONS

Wattage	3W/FT 9.6W/M
Input Voltage	24VDC Constant Current
Light Output	380 Lumens/Meter
Color	RGB
Cutting Interval	62.5mm 2.5"
LEDs/meter	96
Wavelengths	Red - 620-625NM
	Green - 530-535NM
	Blue - 470-475NM
Max run:	32.9 ft 10M
Profile Dim. WxH	11mm x 20mm ~.43" x .78"
Environment	IP65
Housing:	Silicone Extrusion with milky white diffuser
Dimmable:	Yes
Warranty:	5 Years indoor 3 years Outdoor

DIMENSIONS



ACCESSORIES



ORDERING GUIDE

SERIES	LEDs/M	INPUT VOLTS	CRI/CCT	IP RATING	REEL PKG LENGTH
NGS1120	96	2D - 24VDC	RGB	65	10M
	96	2D - 24VDC	RGB	65 - IP65 Outdoor	10M - 10M length
					CSTM - Custom Length

IlluminFx reserves the right to make changes to specifications at any time with or without notice



IlluminFx Lighting Systems
22 Harcourt Road | Rochester, NY 14606 USA
www.illuminfx.com | info@illuminfx.com | 585-254-8010
NGS1120 RGB e2401

NEOGLOW NGP

IP68 | RGB & Single Color

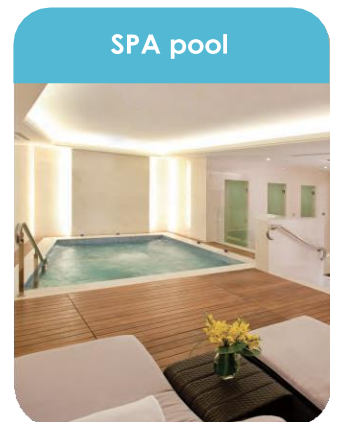
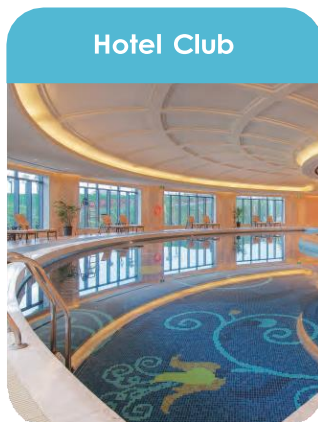


RGB: NGP1510-96-2-RGB-68-CSTM
 Single Color: NGP1510-240-2-930-68-CSTM

Features

1. Cert. UL676
2. IP68 waterproof, max depth of water: 2M (6.5FT),
3. Material: PVC extrusion, chlorine resistant
4. Top View
5. Back side powered, 3.7M cable
6. Constant current 24VDC input, factory customized length
7. Warranty 3 yrs.

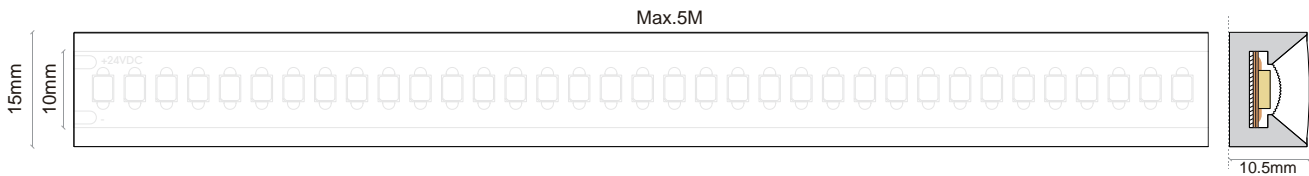
Swimming pool, park fountain, pedestrian street pool, community music fountain, garden stream, square water project, villa swimming pool, waterscape pool, SPA pool, massage pool, garden landscape, family aquarium, etc...



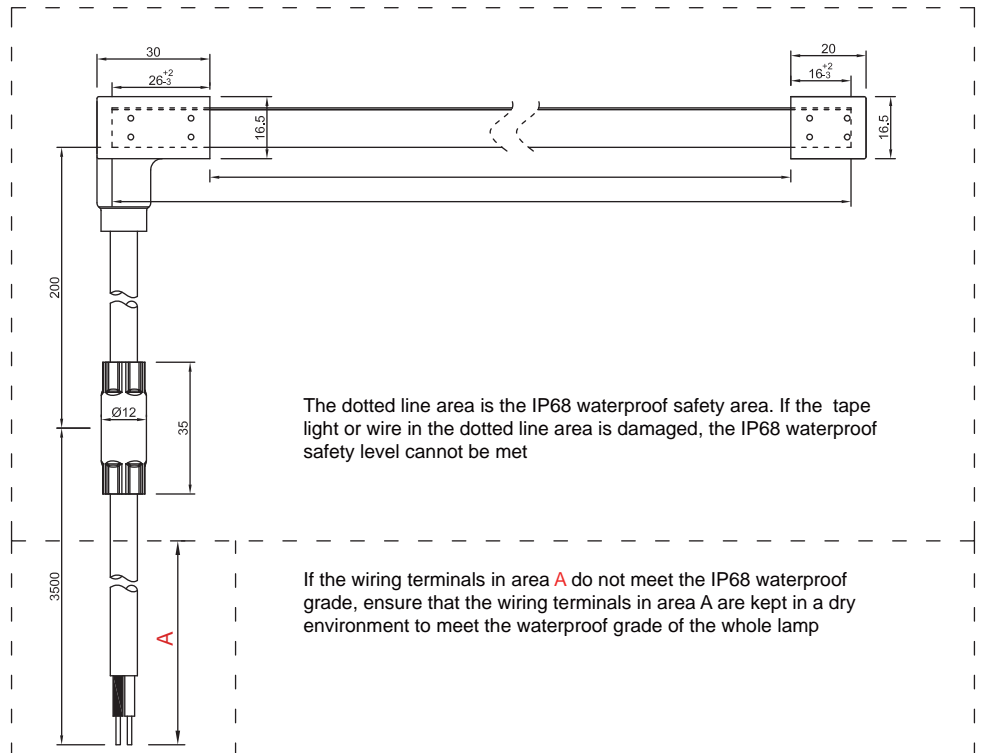
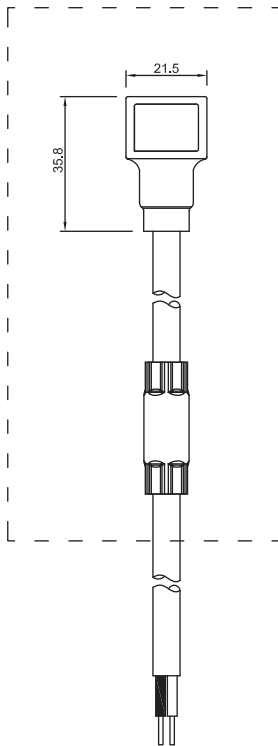
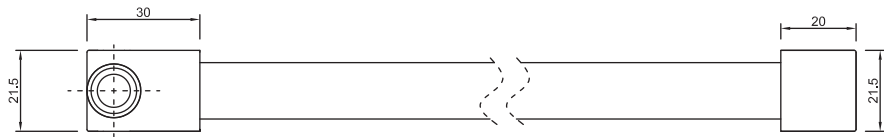
Product parameters

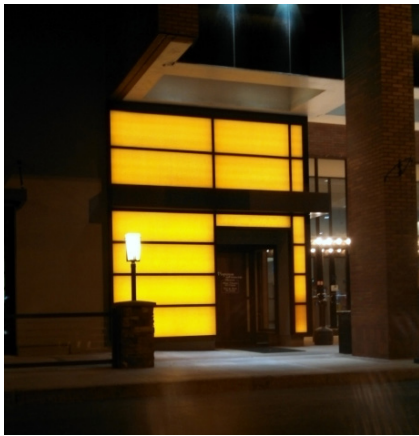
Model	Color temp. Wave lengths	LM/M	Power/M	LM/0.5M	Power/0.5M	Light efficiency	Energy efficiency class	CRI (Ra)	FPC copper
NGP1510-96-2-RGB-68-CSTM	R G B	525	<15W	262LM	<8W	35LM/W	N/A		3OZ
NGP1510-240-2-930-68-CSTM	3000K	800LM	<10W	400LM	<5W	80LM/W	G	90+	3OZ

Drawing



Unit:mm





RIO | oslo

TAURUS

LED Module

M1



TAURUS M1 :

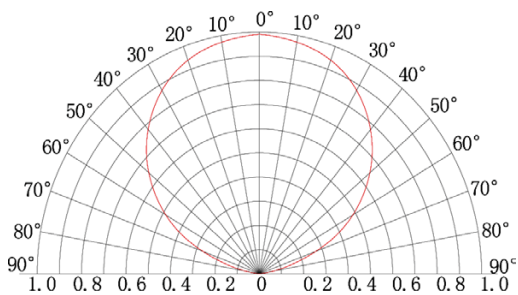
The Taurus M1 line of Flex Light LED product from illuminFx is a perfect solution for hard to light applications. Great for sign illumination, these high brightness, low wattage LEDs are easy to position and install. They produce uniform brightness in a long lasting waterproof package. Perfect for backlit signs from 3-8 inch depths.

- IP65 waterproof 5050 LED.
- 2 year warranty

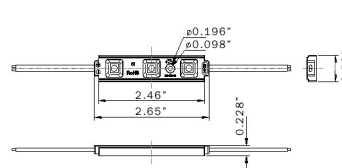
SPECIFICATIONS

Housing	Injection molded PVC
Input Voltage	12V DC
Length	20 modules / 2 modules per foot / 10 ft Modules 6" on center 3.5" of wire between modules
Lifespan	50,000 hours
Working Temp	-40°C—50°C
Max Connection	20 modules
IP Rating	IP 65
Mounting Method	3M adhesive tape Provided No 2 316 Screw

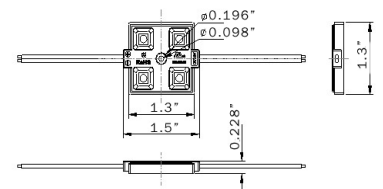
Light Distribution



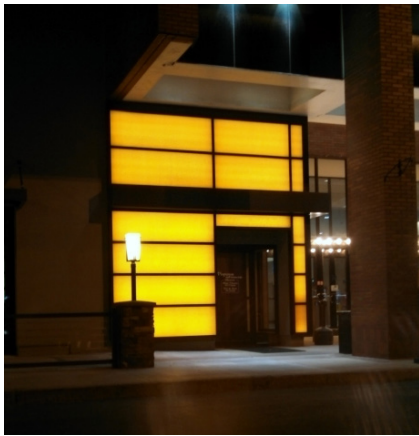
M1-31D



M1-41D



Model Number	LED Type	Color	Beam Angle	Wattage/Module	Max run Wattage	Cord Termination	LUM Flux/module
M1-31D-WW	SMD5050	Warm White 2800-3200	120	0.65	13W	2-wire	33
M1-31D-CW	SMD5050	Cool White 5500-6500	120	0.65	13W	2-wire	52
M1-31D-B	SMD5050	Blue	120	0.65	13W	2-wire	7
M1-31D-G	SMD5050	Green	120	0.65	13W	2-wire	33
M1-31D-R	SMD5050	Red	120	0.65	13W	2-wire	15
M1-41D-X	SMD5050	RGB	120	0.8	16W	4-wire	Variable



flex light

oslo

TAURUS

LED Module

M2



TAURUS M2 :

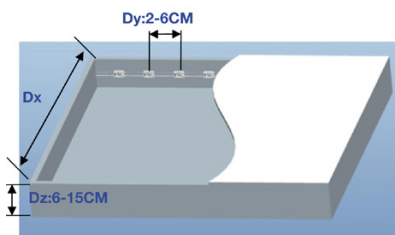
The Taurus M2 line of LED modules are a high powered SMD 5050 LED. Ideal for bigger double sided signs and areas where more light output is necessary. Ideal at 3-7 inches on single sided signs, and with their wider beam spread, they are perfect for double sided signs as well at 6-14 inch depth.

- IP65 waterproof 5050 LED
- 2 year warranty

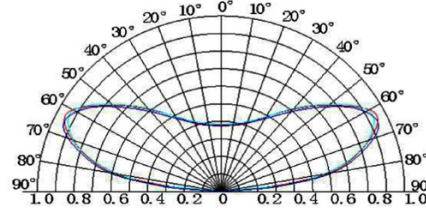
SPECIFICATIONS

Housing	Injection molded PVC
Input Voltage	12V DC
Length	M2-11D 20 modules / 2 modules per foot / 10.67 ft Modules 6.7" on center 5.2" of wire between modules
Lifespan	50,000 hours
Working Temp	-40°C—50°C
Max Connection	20 modules
IP Rating	IP 65
Mounting Method	3M adhesive tape Provided No 2 316 Screw

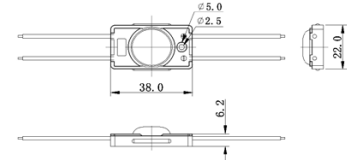
Double Sided Sign Recommendation



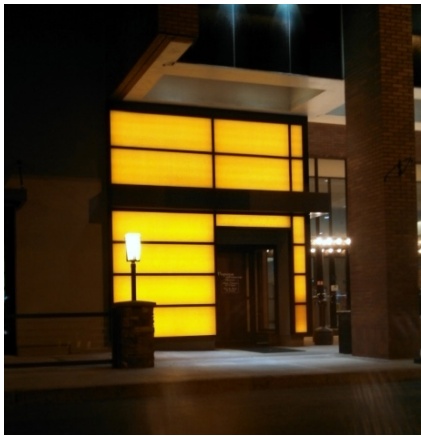
Light Distribution



M2-11D



Model Number	LED Tyoe	Color	Beam Angle	Wattage/ Module	Max run Wattage	Cord Termination	LUM Flux/module
M2-11D-CW	SMD5050	Cool White 5500-6500	160	1.32	26.4W	2-wire	80
M2-11D-CT	SMD5050	True White 8000-10000	160	1.32	26.4W	2-wire	80



flex light

R10

TAURUS

LED Module

M5



TAURUS M5 :

The Taurus M5 line of Flex Light LED product from illuminFx is a perfect solution for hard to light applications. These RGB Color Changing modules are IFXs option for underwater illumination. They produce uniform brightness in a long lasting UNDERWATER IP68 package. Perfect for underwater lighting jobs.

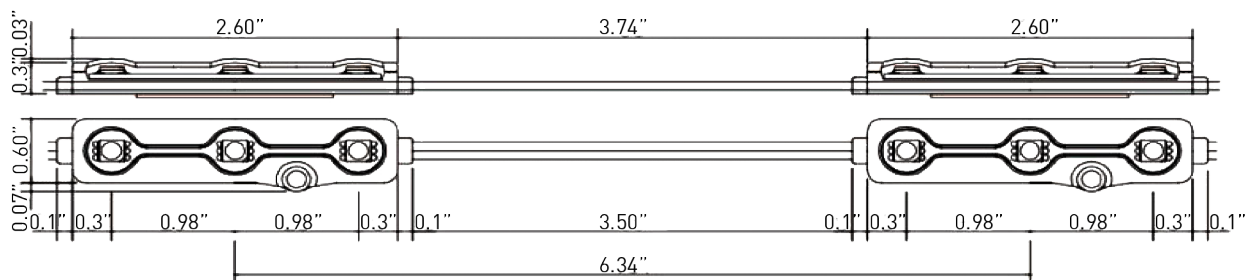
- IP68 waterproof 5050 LED.
- 2 year warranty



SPECIFICATIONS

Housing	ABS
Input Voltage	12V DC
Wattage	0.72W per module
LED	SAMSUNG, Epistar
Lumens	60-66 lm/module
Length	50 modules / 2 modules per foot / ~25 ft
Lifespan	50,000 hours
Working Temp	-4°F—140°F
Max Connection	50 modules
IP Rating	IP 68

DIMENSIONS



Model Number	LED Type	Color	Beam Angle	Wattage/Module	Max run Wattage	Cord Termination	LUM Flux/module
M5-31CX	SMD5050	RGB	120	0.72	36W	4-wire	Variable
M5-31DX	SMD5050	RGB	160	0.72	36W	4-wire	Variable



illuminFx reserves the right to make changes to specifications at any time with or without notice

oslo

PATIO LIGHTS

LED String Lights

PL



PATIO LIGHTS PL16:

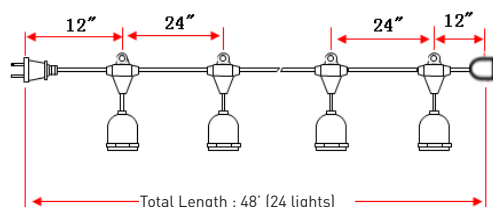
Traditional outdoor patio string lights now with long lasting, energy efficient LED Filament lamps. Get that same classic look but with the added benefit of LED lamps. Each string comes with 24 S14 LED Filament lamps that runs on only 36 total watts.

- 2 year warranty

SPECIFICATIONS

Wire	16AWG SPT-2
Voltage	120V AC / 12V AC
Length	48 Feet (24 lamps)
Sockets	(24) E26 medium base
Power	10A maximum load capacity
Lamp Style	Edison S14 Filament lamp
Lamp Type	12V : 0.9W 60HZ LED 120V : 1.5W 60HZ LED
Color Temp	2200K
Ambient Temp	-40°F ~ 196°F
CRI	>Ra80
Min. Buckling Radius	≥50mm
Dimmable	Yes

DIMENSIONS



Patio Light String PL16 w/Lamps

Model Number	Current	Watts/lamp	Color	Watts/total	Cord Termination	LUM Flux/lamp	Voltage
PL16-4824-120VBL-S14822	10A Max	1.5W/lamp	Antique White 2200K	36W	Male and female plugs	70	120Vac
PL16-4824-012VBL-S14822	10A Max	0.9W/lamp	Antique White 2200K	21.6W	Wire Leads	43.89	12Vac

Single Lamps Only

Model Number	Watts/lamp	Color	LUM Flux/lamp	Voltage	Material
S14LF/1.5/120V/822/G	1.5W/lamp	Antique White 2200K	70	120Vac	Glass
S14LF/1.5/120V/822/P	1.5W/lamp	Antique White 2200K	70	120Vac	Plastic
S14LF/1/012V/822/G	0.9W/lamp	Antique White 2200K	43.89	12Vac	Glass



illuminfx

illuminfx reserves the right to make changes to specifications at any time with or without notice

L I G H T I N G
A C C E S S O R I E S

Triac/0-10V/1-10V/Potentiometer/10V PWM 5 in 1 Dimmable LED driver 30W
Whole Family

KVG-XXXXX-DW 12V/ 24VDC
30W 60W 80W 96W 100W
120W 150W 200W 300W



FC Class 2 Class P

■ Features:

- Output constant Voltage
- Range: 100-277VAC
- Built-in active PFC function
- Efficiency up to 80%
- Protections: short circuit/over load/ over temperature
- Cooling by free air convection
- Full protection plastic housing, for dry and damp locations
- Dimming function:
 - Phase dimming: works with forward phase/leading edge MLV and Reverse phase /trailing edge ,ELV, TRIAC dimmers
 - 0-10V dimming: 0-10V/1-10V/Potentiometer/10V PWM 4 in 1
 - Dimming range: 0-100%
 - Suitable for LED lighting and moving sign applications

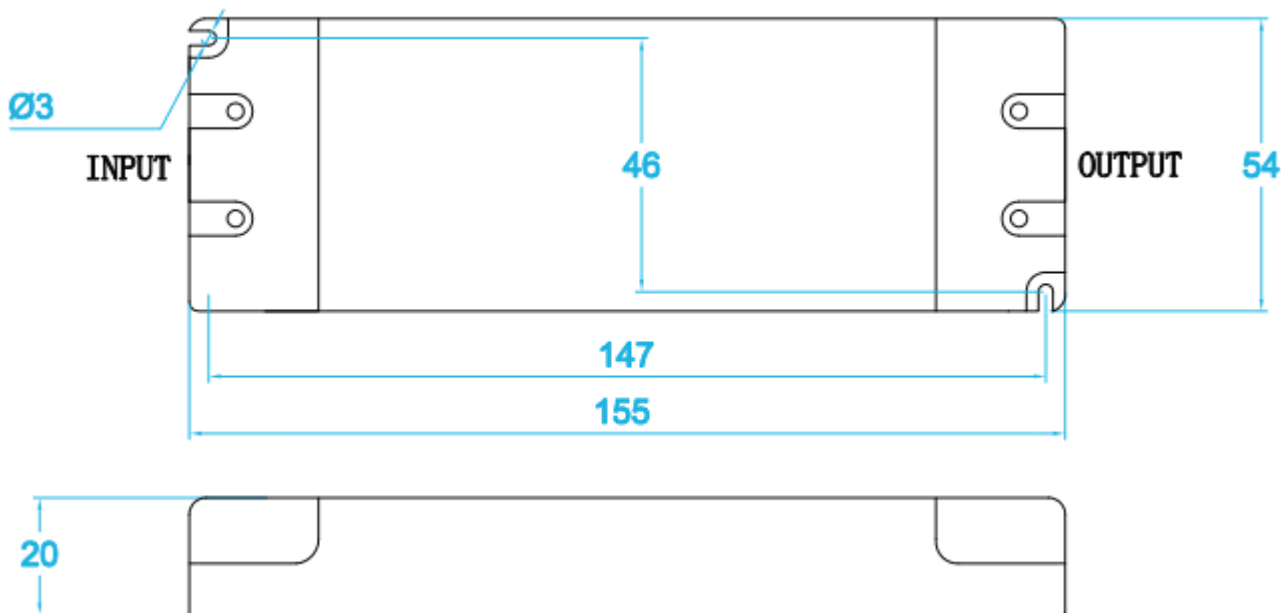
■ Specification

Model		KVG-12030-DW	KVG-24030-DW
Certificates		FCC UL cUL Class 2	
Output	DC Voltage	12V	24V
	Voltage Tolerance	±0.5V	
	Voltage Regulation	±0.5%	
	Rated current	2.5A	1.25A
	Rated power	30W	
	Load Regulation	±1 %	
Input	Voltage Range	100-277VAC	
	Frequency Range	47 - 63Hz	
	Power Factor(Typ.)@ full load	0.99@120VAC 0.98@277VAC	0.99@120VAC 0.95@277VAC
	THD(Typ.) @ full load	<20%@120VAC &277VAC	
	Efficiency(Typ.)@ full load	79%@120VAC 80%@277VAC	79%@120VAC 80%@277VAC
	AC Current(Max.)	0.5A	
	Inrush Current (Typ.)	7A, 50%, 420us @120VAC; 12A, 50% , 480us @277VAC	
Protection	Leakage current	<0.5mA	
	Short Circuit	shut down o/p voltage, re-power on to recover after fault condition removed	
	Over Load	≤120% shut down o/p voltage, re-power on to recover after fault condition removed	
Environment	Over temperature	100°C±10°C shut down o/p voltage, automatically recover after cooling.	
	Working TEMP.	-40~+60°C (see below derating curve)	
	Working Humidity	20 - 95%RH,non-condensing	
	Storage TEM.,Humidity	-40 - +80°C,10 - 95%RH	
	TEMP.coefficient	±0.03%/°C(0 - 50°C)	
Safety & EMC	Vibration	10~500Hz, 2G 10min./1 cycle,period for 60min. each along X,Y,Z axes	
	Safety standards	UL8750+UL1310 , CAN/CSA-C22.2 No.250.13	
	Withstand voltage	I/P-O/P:1.88KVac	
	Isolation resistance	I/P-O/P:100MΩ/500VDC/25°C/70%RH	
EMC Emission		FCC 47 CFR Part 15 ,Subpart B	

Triac/0-10V/1-10V/Potentiometer/10V PWM 5 in 1 Dimmable LED driver 30W

Others	Net Weight	0.21Kg
	Dimension	155*54*20mm(L*W*H)
	packing	350*240*130mm 40pcs /CTN
Notes	1. All parameters NOT specially mentioned are measured at 120VAC input , rated load and 25°C of ambient temperature. 2. Tolerance: includes set up tolerance, line regulation and load regulation . 3. The power supply is considered as a component that will be operated in combination with final Equipment. Since EMC performance will be affected by the complete installation, the final equipment manufactures must be-qualify EMC Directive on the complete installation again.	

■ Mechanical Specification



- ※Input with terminals Live(L) and Neutral(N) wires to be connected AC;
- ※Output LED SEC output Positive (LED+) , output negative(LED-). Connected to LED light.
- ※Output terminals DIM (+) to 0/1-10V dimmer signal(+),DIM (-) white connect to 0/1-10V dimmer signal (-)
- ※Please DO NOT connect “DIM-“ to “LED-“, “DIM+“ to “ LED+“ ,or other incorrect connection.
- ※Please make sure your connect these correctly otherwise your product will not function correctly and could be damaged.
- ※Note: Any other requests we can customized.

■ Dimming Operation and Connecting Diagram

※Using two ways of dimming at the same time, you must be assured that LED lighting is up to the max. Brightness then you could operate with the other dimming;

Whole Family

**KVG-XXXXX-DW 12V/ 24VDC
30W 60W 80W 96W 100W
120W 150W 200W 300W**



■ Features:

- Output constant Voltage
- Range: 100-277VAC
- Built-in active PFC function
- Efficiency up to 85%
- Protections: short circuit/over load/ over temperature
- Cooling by free air convection
- Full protection plastic housing, for dry and damp locations
- Dimming function:
 - Phase dimming: work with forward phase /leading edge ,MLV and Reverse phase /trailing edge ,ELV, TRIAC dimmers
 - 0-10V dimming: 0-10V/1-10V/Potentiometer/10V PWM 4 in 1
 - Dimming range: 0-100%
 - Suitable for LED lighting and moving sign applications

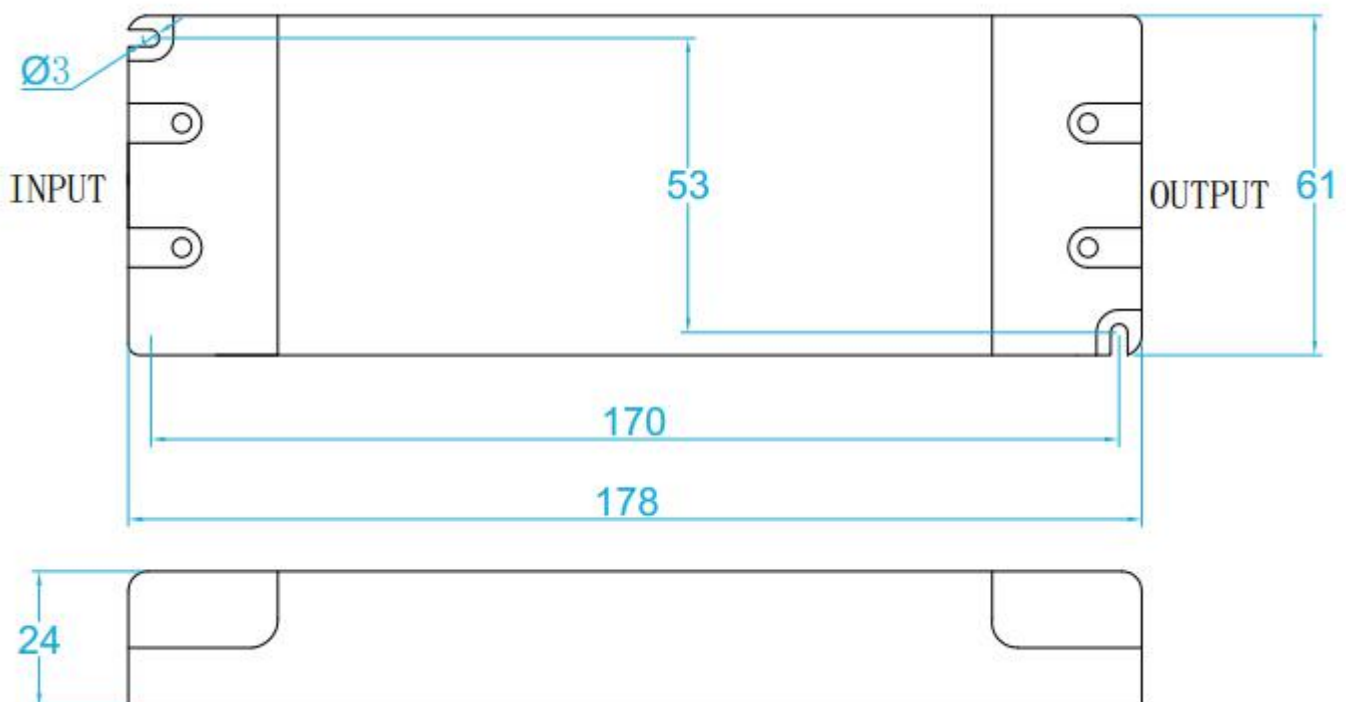
■ Specification

Model		KVG-12060-DW	KVG-24060-DW
Certificates		FCC UL cUL Class 2	
Output	DC Voltage	12V	24V
	Voltage Tolerance	±0.5V	
	Voltage Regulation	±0.5%	
	Rated current	5A	2.5A
	Rated power	60W	
	Load Regulation	±1 %	
Input	Voltage Range	100-277VAC	
	Frequency Range	47 - 63Hz	
	Power Factor(Typ.)@ full load	0.98@120VAC 0.95@277VAC	0.98@120VAC 0.95@277VAC
	THD(Typ.) @ full load	<20%@120VAC &277VAC	
	Efficiency(Typ.)@ full load	83%@120VAC 85%@277VAC	83%@120VAC 84%@277VAC
	AC Current(Max.)	0.9A	
	Inrush Current (Typ.)	14A, 50%, 780us @120VAC; 15A, 50% , 660us @277VAC	
Leakage current	<0.5mA		
Protection	Short Circuit	shut down o/p voltage, re-power on to recover after fault condition removed	
	Over Load	≤120% Hiccup mode,recovers automatically after fault condition is removed	
	Over temperature	100°C±10°C shut down o/p voltage, automatically recover after cooling.	
Environment	Working TEMP.	-40~+60°C (see below derating curve)	
	Working Humidity	20 - 95%RH,non-condensing	
	Storage TEM.,Humidity	-40 - +80°C,10 - 95%RH	
	TEMP.coefficient	±0.03%/°C(0 - 50°C)	
	Vibration	10~500Hz, 2G 10min./1 cycle,period for 60min. each along X,Y,Z axes	
Safety & EMC	Safety standards	UL8750+UL1310 , CAN/CSA-C22.2 No.250.13	
	Withstand voltage	I/P-O/P:1.88KVac	
	Isolation resistance	I/P-O/P:100MΩ/500VDC/25°C/70%RH	
	EMC Emission	FCC 47 CFR Part 15 ,Subpart B	

Triac/0-10V/1-10V/Potentiometer/10V PWM 5 in 1 Dimmable LED driver 60W

Others	Net Weight	0.35Kg
	Dimension	178*61*24mm(L*W*H)
	packing	290*215*140mm 20pcs /CTN
Notes	1. All parameters NOT specially mentioned are measured at 120VAC input , rated load and 25°C of ambient temperature. 2. Tolerance: includes set up tolerance, line regulation and load regulation . 3. The power supply is considered as a component that will be operated in combination with final Equipment. Since EMC performance will be affected by the complete installation, the final equipment manufactures must be-qualify EMC Directive on the complete installation again.	

■ Mechanical Specification



- ※Input with terminals Live(L) and Neutral(N) wires to be connected AC;
- ※Output LED SEC output Positive (LED+) , output negative(LED-). Connected to LED light.
- ※Output terminals DIM (+) to 0/1-10V dimmer signal(+),DIM (-) white connect to 0/1-10V dimmer signal (-)
- ※Please DO NOT connect “DIM-“ to “LED-“, “DIM+“ to “ LED+“ ,or other incorrect connection.
- ※Please make sure your connect these correctly otherwise your product will not function correctly and could be damaged.
- ※Note: Any other requests we can customize.

■ Dimming Operation and Connecting Diagram

※Using two ways of dimming at the same time, you must be assured that LED lighting is up to the max. Brightness then you could operate with the other dimming;

Triac/0-10V/1-10V/Potentiometer/10V PWM 5 in 1 Dimmable led driver

KVG-DWJ 150W

Whole Family

KVG-XXXXX-DWJ 12V/ 24VDC
30W 60W 80W 96W 100W
120W 150W 200W 300W



TYPE HL



■Features

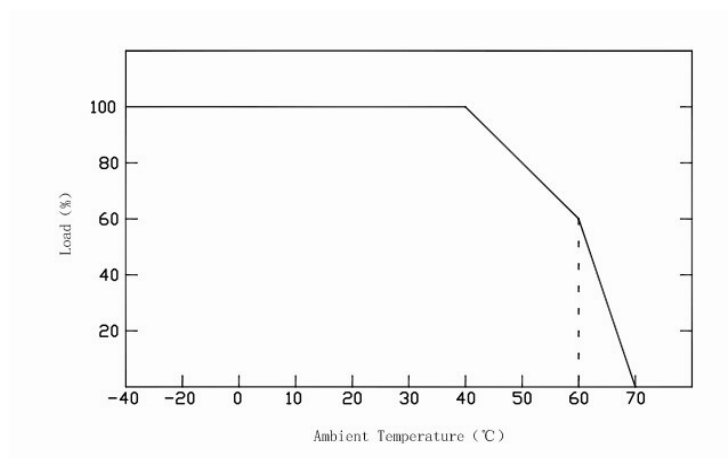
- Output constant voltage
- UL, cUL listed, Type HL rated. FCC
- Universal AC input: 110-277VAC
- Built-in active PFC function
- Power Factor: up to 0.99
- High efficiency : up to 87%
- Load: 10-100%
- Protection:short circuit/over loading/ Over temperature
- PWM output, does not change the color index
- Full protection metal case, for dry, damp, wet location
- Flicker-free
- Dimming function:
Phase dimming: work with forward phase /leading edge ,MLV and
Reverse phase /trailing edge ,ELV,TRIAC dimmers
0-10V dimming: 0-10V/1-10V/Potentiometer/10V PWM 4 in 1
- Dimming range: 0-100%
- Suitable for LED lighting and moving sign applications

Model		KVG-12150-DWJ		KVG-24150-DWJ	
Certificates		UL, cUL listed, Type HL rated, FCC			
Output	DC Voltage	12V		24V	
	Rated Current	12.5A		6.25A	
	Rated Power	150W		150W	
	Voltage Tolerance	±0.5V			
	Voltage Regulation	±0.5%			
	Load Regulation	±2%		±1%	
Input	Voltage Range	110-277VAC			
	Frequency Range	47-63Hz			
	Power Factor (Typ.) @ full load	0.98@120VAC 0.95@277VAC		0.99@120VAC 0.94@277VAC	
	THD (Typ.) @ full load	<20%			
	Efficiency (Typ.) @ full load	85% @120Vac 86%@277Vac		85% @120Vac 87%@277Vac	
	AC Current (Max.)	1.8A@100Vac			
	Inrush Current (Typ.)	15A, 50%, 1.4ms @120Vac		30A, 50%, 1.4m,s @277Vac	
	Leakage current	<0.50mA			
Protection	Short Circuit	shut down o/p voltage, re-power on to recover after fault condition is removed			
	Over Loading	≤120% constant current limiting, auto-recovery			
	Over temperature	100°C±10°C shut down o/p voltage, automatically recover after cooling.			
Environment	Working TEMP.	-40~+60°C (see below derating curve)			
	Working Humidity	20~90%RH, non-condensing			
	Storage TEMP. Humidity	-40~+80°C, 10~95%RH			
	TEMP .coefficient	±0.03%/°C (0~50°C)			
	Vibration	10~500Hz, 5G 10min./1 cycle,period for 60min. each along X,Y,Z axes			
Safety& EMC	Safety standards	UL8750			
	Withstand voltage	I/P-O/P:1.88KVAC			

Triac/0-10V/1-10V/Potentiometer/10V PWM 5 in 1 Dimmable led driver
KVG-DWJ 150W

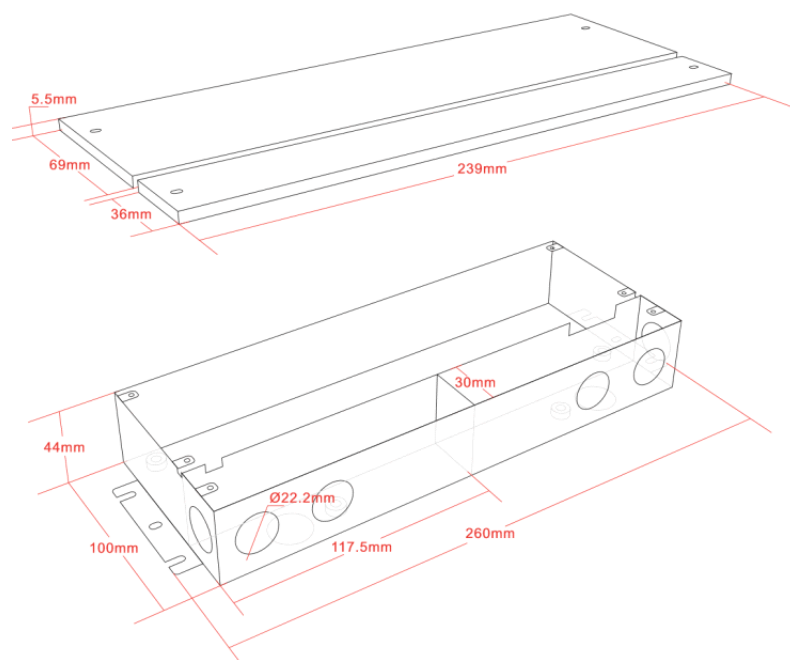
	Isolation resistance	I/P-O/P:100MΩ/500VDC/25℃/70%RH
	EMC EMISSION	FCC 47 CRF Part 15, Subpart B
others	Net. Weight	1.8Kg
	Size	260*105*45mm (L*W*H)
	packing	10PCS/CTN
Notes	1. All parameters if NOT specially mentioned are measured at 120VAC input , rated load and 25℃of ambient temperature. 2. To extend the driver's using life ,please reduce the loading at lower input voltage.	

■ Derating Curve



※To extend life, please refer to the Derating Curve and derate according to the temperature.

■ Mechanical Specification



Unit: mm
Tolerance: 0.5-2mm

260(L)*105(W)*45(H) mm

Triac/0-10V/1-10V/Potentiometer/10V PWM 5 in 1 Dimmable led driver

KVG-DWJ 300W

Whole Family

KVG-XXXXX-DWJ 12V/ 24VDC
30W 60W 80W 96W 100W
120W 150W 200W 300W



TYPE HL



■Features

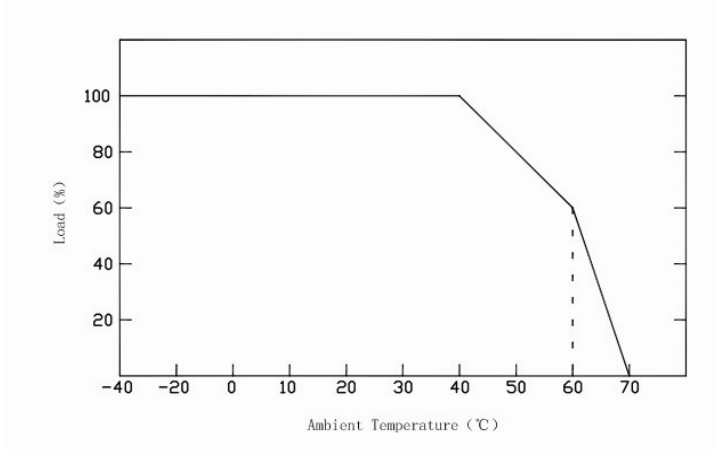
- Output constant voltage
- UL, cUL listed, Type HL rated. FCC
- Universal AC input: 110-277VAC
- Built-in active PFC function
- Power Factor: up to 0.99
- High efficiency : up to 92%
- Load: 10-100%
- Protection:short circuit/over loading/ Over temperature
- PWM output, does not change the color index
- Full protection metal case, for dry, damp, wet location
- Flicker-free
- Dimming function:
Phase dimming: work with forward phase /leading edge ,MLV and
Reverse phase /trailing edge ,ELV,TRIAC dimmers
0-10V dimming: 0-10V/1-10V/Potentiometer/10V PWM 4 in 1
- Dimming range: 0-100%
- Suitable for LED lighting and moving sign applications

Model		KVG-12300-DWJ		KVG-24300-DWJ	
Certificates		UL, cUL listed, Type HL rated, FCC			
Output	DC Voltage	12V		24V	
	Rated Current	25A		12.5A	
	Rated Power	300W		300W	
	Voltage Tolerance	±0.5V			
	Voltage Regulation	±0.5%			
	Load Regulation	±2%		±1%	
Input	Voltage Range	110-277VAC			
	Frequency Range	47-63Hz			
	Power Factor (Typ.) @ full load	0.99@120VAC 0.97@277VAC		0.99@120VAC 0.95@277VAC	
	THD (Typ.) @ full load	<20%			
	Efficiency (Typ.) @ full load	86% @120Vac 88%@277Vac		88% @120Vac 92%@277Vac	
	AC Current (Max.)	3.4A@100Vac			
	Inrush Current (Typ.)	20A, 50%, 1.9ms @120Vac		35A, 50%, 1.9m,s @277Vac	
	Leakage current	<0.50mA			
Protection	Short Circuit	shut down o/p voltage, re-power on to recover after fault condition is removed			
	Over Loading	≤120% Hiccup mode,recovers automatically after fault condition is removed			
	Over temperature	100°C±10°C shut down o/p voltage, automatically recover after cooling.			
Environment	Working TEMP.	-40~+60°C (see below derating curve)			
	Working Humidity	20~90%RH, non-condensing			
	Storage TEMP. Humidity	-40~+80°C, 10~95%RH			
	TEMP .coefficient	±0.03%/°C (0~50°C)			
	Vibration	10~500Hz, 5G 10min./1 cycle,period for 60min. each along X,Y,Z axes			
Safety& EMC	Safety standards	UL8750			
	Withstand voltage	I/P-O/P:1.88KVAC			

Triac/0-10V/1-10V/Potentiometer/10V PWM 5 in 1 Dimmable led driver
KVG-DWJ 300W

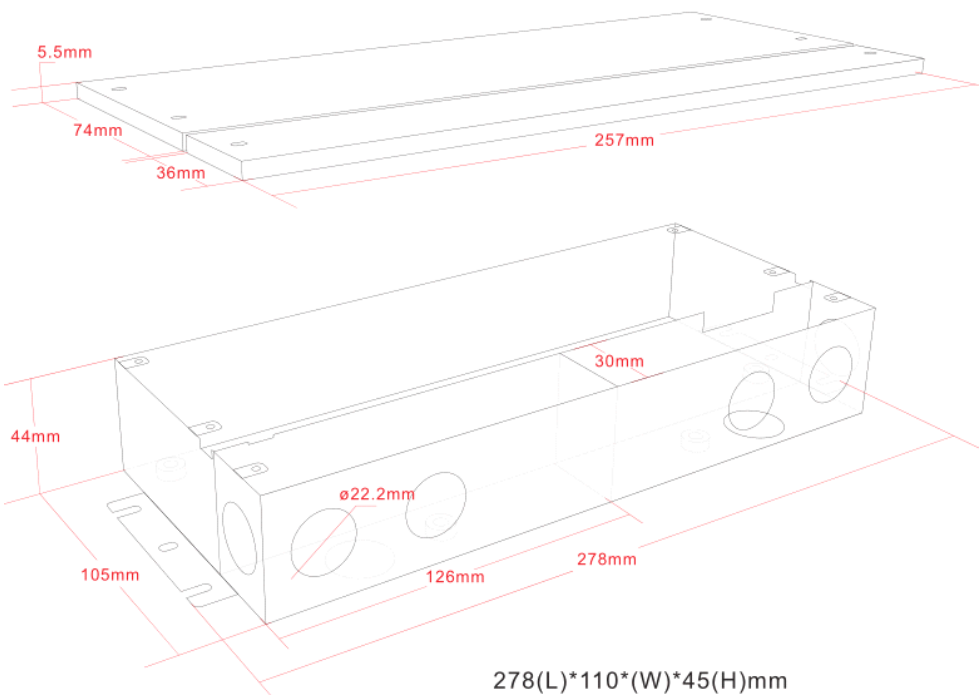
	Isolation resistance	I/P-O/P:100MΩ/500VDC/25°C/70%RH
	EMC EMISSION	FCC 47 CRF Part 15, Subpart B
others	Net. Weight	2.0Kg
	Size	278*110*45mm (L*W*H)
	packing	10PCS/CTN
Notes	1. All parameters if NOT specially mentioned are measured at 120VAC input , rated load and 25°C of ambient temperature. 2. To extend the driver's using life ,please reduce the loading at lower input voltage.	

Derating Curve



※To extend life, please refer to the Derating Curve and derate according to the temperature.

Mechanical Specification



Unite: mm
Tolerance: 0.5-2mm

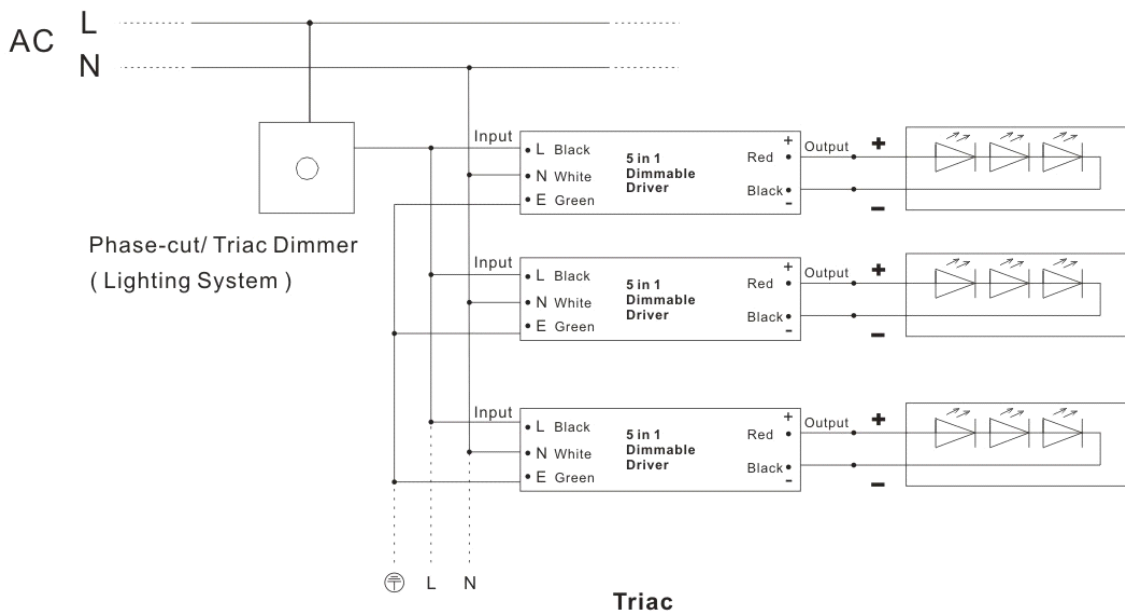
Triac/0-10V/1-10V/Potentiometer/10V PWM 5 in 1 Dimmable led driver
KVG-DWJ 300W

- ※ Input wire Black and White to be connected to AC L and N ,Green wire go ground,
- ※ Output wire Red to LED Positive side (+) , Black to LED Negative side (-).
- ※ Dimming cable DIM (+) Purple to 0/1-10V dimmer signal(+) ,DIM (-) Grey to 0/1-10V dimmer signal (-)
- ※ Please make sure you connect these correctly otherwise your product will not function correctly and could be damaged.
- ※ Note: Any other requests we can customize.

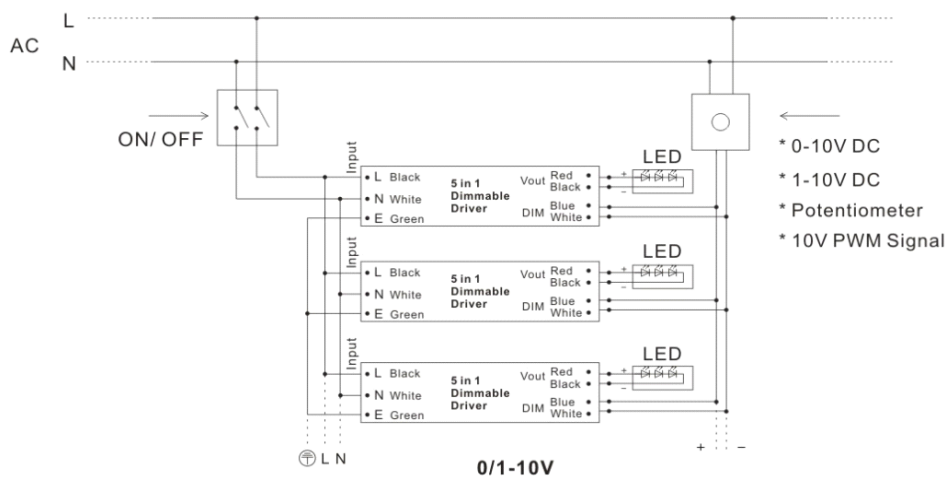
■ **Connecting Diagram**

※ **Using TRIAC/Phase cut dimming**

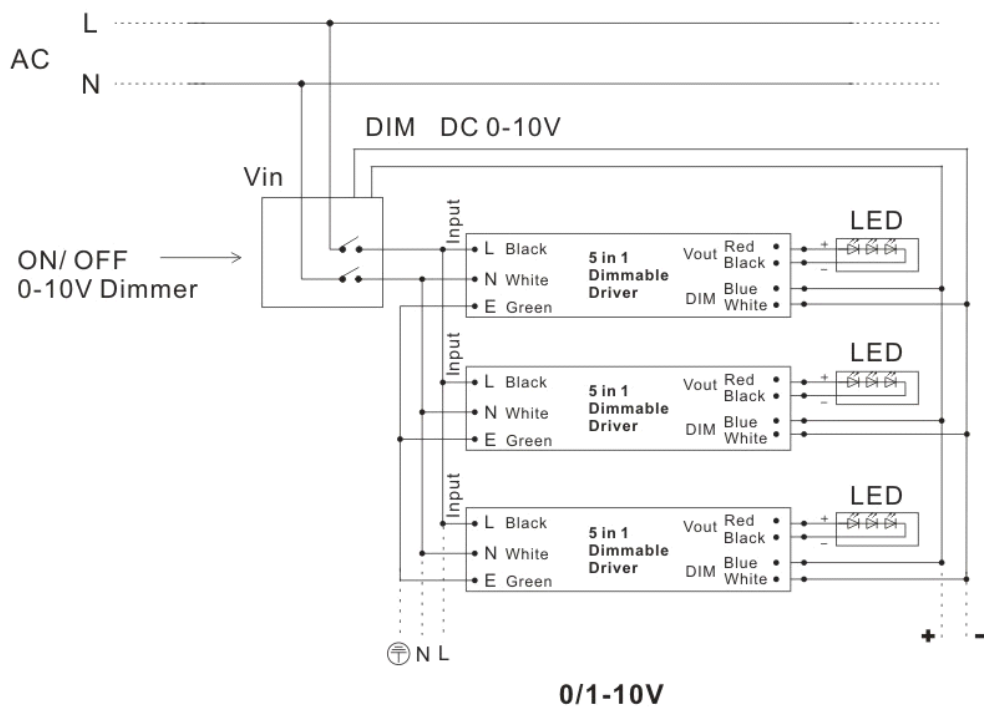
- 1.The Pulse-Width Modulation (PWM) of output voltage can be adjusted through input terminal of the AC phase line(L) by connection a phase /Triac dimmer of lighting system.
- 2.Works with forward phase /leading edge ,MLV and reverse phase /trailing edge ,ELV,TRIAC dimmers.
- 3.Please try to use dimmers with power at least 1.5 times as the output power of the driver.



※ **Using 0-10V/1-10V dimming**



Triac/0-10V/1-10V/Potentiometer/10V PWM 5 in 1 Dimmable led driver
KVG-DWJ 300W



Instruction:

- 1) This driver should be installed by a qualified and professional person;
- 2) Please make sure the driver is installed with adequate ventilation around it to allow for heat dissipation.
- 3) Ensure that wiring is correct before test in order to avoid light and power supply damage;
- 4) If driver Cannot work normally, don't maintain privately; Have any question, please contact IlluminFx.

12V AC to DC

AC/DC Converter

36/75W

AD



CONVERTER AD :

The AD series 12VAC to 12VDC bridge rectifiers can be used for many low voltage lighting products. Either use an illuminFx AC transformer or use an existing standard 12VAC landscape lighting transformer to power 12VDC LED products. These outdoor rated converters come in either 36 or 75W max loads and can even be used with LED lighting controls. Use illuminFx's in line dimmers (Level Select) or the Color Select and Color Select Plus lines of color changing LED controllers.

- Convenient Input Voltage Range : 12-26VAC
- Protection from output over current, output short circuit, input transient voltage, and overheating
- Working Temperature : -40°~176°F
- Conversion Efficiency : Up to 95%

SPECIFICATIONS

	AD1236	AD1275
Output Power	36W Max	75W Max
Input Voltage	12-26VAC	
Output Voltage	12VDC	
Output Current	3A Max	6.25A Max
Load Regulation	±1%	±0.5%
Voltage Regulation	±1%	
Isolation	Non-isolated	
Ripple	100mV	120mV
Dimensions (LxWxH)	2.3x1.6x0.87inches	2.9x2.9x1.3 inches
Weight	0.216 lbs	0.66 lbs
Material	Plastic ABS	Aluminum Alloy
Wiring	Input (Red + -), Output (Yellow + Black -)	

Model Number	Output Voltage	Max Load	Input Voltage	Avg Efficiency	Material	Dimensions	Weight
AD1236	12VDC	36W	12-26VAC	92%	Plastic ABS	2.3 x 1.6 x 0.87 in	0.216 lbs
AD1275	12VDC	75W	12-26VAC	95%	Aluminum Alloy	2.9 x 2.9 x 1.3 in	0.66 lbs.



12V AC

TR-RK ROCK

300/600W

TR



ROCK TR-RK :

The TR-RK series 12VAC "Real Rock" low voltage transformers are a perfect solution for a natural looking transformer to blend in with the surroundings of a landscape. Multi-tap 12-15vAC outputs allow for easy installation of multiple lighting fixtures at varying distances.

- Standard mandatory secondary protection
- Comes standard with 6' power cord attached. Single gang junction box available upon request
- Meets or exceeds UL, cUL, ANSI/UL, and CSA requirements

SPECIFICATIONS

	TR-RK-300	TR-RK-600
Output Voltage	12-15VAC-25A Max	12-15VAC-50A Max
Input Voltage	120VAC-3A Max	120VAC-6A Max
Breakers	1x25A	2x25A
Frequency	60 Hz	
Dimensions (LxWxH)	19" x 14" x 12"	24" x 12" x 12.5"
Weight	13 LBS	17 LBS
Dimmable	Yes — With low-voltage magnetic dimmer	

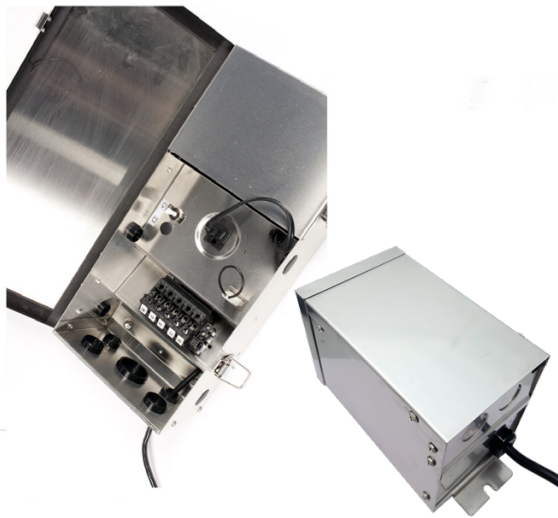
Model Number	Output Voltage	Max Load	Input Voltage	Material	Dimensions	Weight
TR-RK-300	12-15VAC	300W	120VAC	RealRock	19" x 14" x 12"	13 LBS
TR-RK-600	12-15VAC	600W	120VAC	RealRock	24" x 12" x 12.5"	17 LBS

12V AC

TRANSFORMER

75/150/300/600W

TR



TRANSFORMER TR :

The TR series of low voltage transformers are a perfect solution for almost any landscape lighting job. Multi-tap 12-15VAC outputs allow for easy installation of multiple lighting fixtures at varying distances.

- Standard mandatory secondary protection
- Large secondary connection block for easy wiring
- 1/8" stainless steel Nema 3R case
- Comes standard with 6' power cord attached.
- Meets or exceeds UL, cUL, ANSI/UL, and CSA requirements
- Timer and Photocell ready. Sold separately

TIMER ACCESSORIES



ST-38424
Digital Timer

Works with

Standard digital timer. On and off w/once daily repeats

150, 300, 600W



PH-ST15
Photocell

Works with

Adjustable, broad surface photocell

75, 150, 300, 600W



GM-1/2
Astronomical Timer

Works with

Fully programmable WiFi astronomical timer. 3G/4G/WiFi

150, 300, 600W

SPECIFICATIONS

	TR-075	TR-150	TR-300	TR-600
Output Voltage	12, 15VAC	12-15VAC	12-15VAC	12-15VAC
Input Voltage	120VAC-0.625 Max	120VAC-1A Max	120VAC-3A Max	120VAC-5.5A Max
Breakers	1x25A	1x15A	1x25A	2x25A (dual 300W)
Frequency	60 Hz			
Dimensions (LxWxH)	19" x 14" x 12"	15.25" x 4.75" x 5.5"	17" x 7.5" x 5.5"	17" x 7.5" x 5.5"
Weight	5.6 LBS	15 LBS	20 LBS	29 LBS
Dimmable	Yes — With low-voltage magnetic dimmer			

Model Number	Output Voltage	Max Load	Input Voltage	Material	Dimensions	Weight
TR-075	12, 15VAC	75W	120VAC - .625A	SS Nema 3R	8.25" x 3.75" x 4.5"	5.6 LBS
TR-150	12-15VAC	150W	120VAC - 1A	SS Nema 3R	15.25" x 4.75" x 5.5"	15 LBS
TR-300	12-15VAC	300W	120VAC - 3A	SS Nema 3R	17" x 7.5" x 5.5"	20 LBS
TR-600	12-15VAC	600W	120Vac - 5.5A	SS Nema 3R	17" x 7.5" x 5.5"	29 LBS

WIRE CONNECTION

OUTDOOR SPLICE KITS

DESCRIPTION

A quick and easy wire connection method. Simply fill the provided bag with neutral cure silicone* and insert wires connected with wire nuts.

*Sold Separately (part# BFLX-101C)

PART#

CB25

FOR 2 WIRE CONNECTIONS

CONTAINS

- (25) 4mil 2x6" poly bags
- (50) red wire nuts
- (25) professional zip ties

PART#

CB25-4

FOR 4 WIRE CONNECTIONS

CONTAINS

- (25) 4mil 4x6" poly bags
- (100) red wire nuts
- (25) professional zip ties



STAINLESS STEEL JUNCTION BOXES

DESCRIPTION

IP 68 rated stainless steel junction box with cord grip fittings. Ideal for underwater lighting fixture installations. After connections have been made and tested, IFX recommends a neutral cure silicone* to seal the interior of the box.

*Sold Separately (part# BFLX-101C)

PART#

SS-JB4

1 IN / 3 OUT

CONTAINS

- (1) Junction Box
- (4) Cord grips
- (6) Stainless steel bolts

PART#

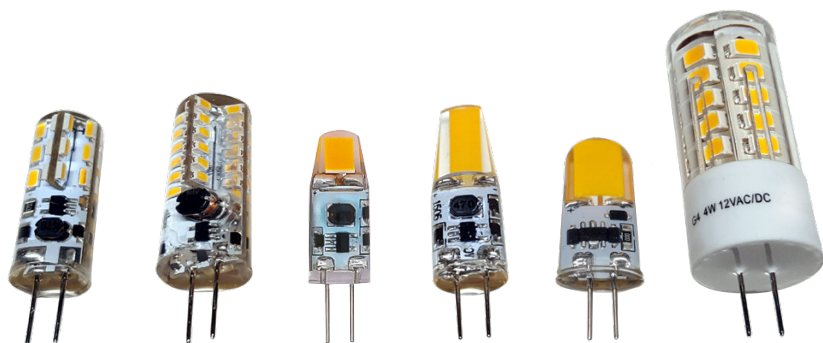
SS-JB5

1 IN / 4 OUT

CONTAINS

- (1) Junction Box
- (5) Cord grips
- (6) Stainless steel bolts





LED

G4

1.2/1.5/2/3/4W

G4



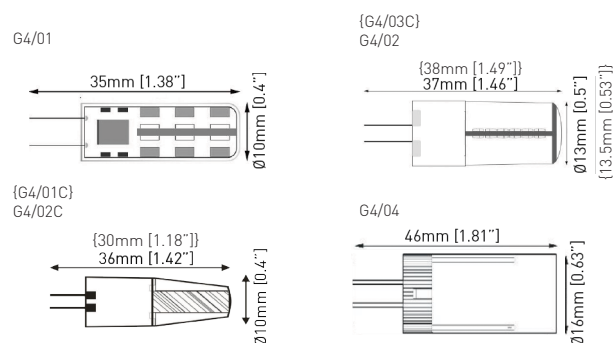
G4 1.5/2/3/4W LED :

IlluminFx's line of LED G4 lamps offers a low cost, high efficiency lamp to replace halogen applications. The 1.5, 2W, and COB lamps are encased in virgin silicone. They are more resistant to both weather and shock, are extremely light weight and physically small so they work in almost any halogen application.

SPECIFICATIONS

CRI	Ra>80
Material	Silicon (4W—Ceramic & PC Cover)
CCT	2800K / 4000K
Beam Angle	360°
Voltage	12VAC/DC (9–14V)
Working Temp	-31–113°F
Dimensions	1.5W – Ø10mm [0.4"] x 35mm [1.38"]
	2W – Ø13mm [0.5"] x 37mm [1.46"]
	1.2cW – Ø10mm [0.4"] x 30mm [1.18"]
	2cW – Ø10mm [0.4"] x 36mm [1.42"]
	3cW – Ø13.5mm [0.53"] x 38mm [1.49"]
Lifetime	25,000 hours
	NO
Lumens/Equiv. 2800/4000K	1.5W – 100/110lm / 15W halogen equivalent
	1.2cW – 120/130lm / 20W halogen equivalent
	2W – 160/170lm / 20W halogen equivalent
	2cW – 200/205lm / 25W halogen equivalent
	3cW – 300/2315lm / 30W halogen equivalent
4W – 320/330lm / 30W halogen equivalent	

DIMENSIONS



ORDERING GUIDE

example product code: G4/01C/OM360/828/C

LIGHT SOURCE	WATTAGE	BEAM SPREAD	CRI	COLOR TEMP	LENS*
G4	01C	OM360	8	28	C
	01–1.5W			40–4000K	C—Clear
	01c—1.2W			28—2800K	F—Frosted
	02–2W				
	02c—2W				
	03c—2W				
	04—4W				

*Only applicable to 01/02C/03C lamps





MR16

CENTINELv4

3/5/8W

MR16

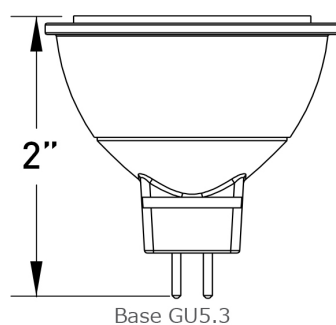


MR16 3/5/8W LED :

IFX's CENTINEL high powered MR16 series guarantee outstanding efficiency and quality. These qualities make our products ideal for general business and decorative lighting purpose, including shop Lighting, Hotel lighting, Commercial and Residential Applications. You can simply install it within the showcase of the boutique, and for any display. Also, the Centinel MR16 series can easily and smartly help you lessen energy consumption up to 90%. It will enhance your business and residential application and help the environment flourish.

- Not for wet environments
- 5W and 8W lamps are DIMMABLE

DIMENSIONS



SPECIFICATIONS

Type	MR16		
Wattage	3W / 5W / 8W		
Voltage	MR16 – 12V AC/DC		
Color Temp	2700K / 3000K / 5000K / 5700K		
Base	GU5.3		
Power Factor	0.6 / 0.9		
Lumens	5700K (TW)	3W	~354 lm
		5W	~479 lm
		8W	~803 lm
	5000K (NW)	3W	~326 lm
		5W	~438 lm
		8W	~736 lm
	2700K (WW)	3W	~272 lm
		5W	~375 lm
		8W	~650lm
Beam Angle	20° / 40° / 60° / 100°		
Operating Temp	-4°F-104°F		
Life	30,000 Hours		
Dimmable	3W – No		
	5W / 8W – Yes		
Environment	Suitable for damp locations		
Certifications	ErP, RoHS, CE, REACH, LVD, TÜV, EMC, UL		
Warranty	3 years		

ORDERING GUIDE

example product code: MR16/5/N57/FL60/827

LIGHT SOURCE	WATTAGE	LED	BEAM SPREAD	CRI	COLOR TEMP
MR16	5	N57	FL60	8	27
	3–3W		SP20–20° Spot		57–5700K
	5–5W		FL40–40° Flood		50–5000K
	8–8W		FL60–60° Flood		27–2700K
			FL100–100° Flood		

LED

EDISON

Filament Lamps

S14



S14 LED Filament :

illuminFx's line of LED filament bulbs offers a low cost, high efficiency lamp to replace both incandescent and fluorescent applications. Get that incandescent appearance but with a low wattage LED replacement. In addition, the S14 series come with a UL listing (120V only) and full dimming capabilities. A perfect lamp for any incandescent replacements around the house or office. Perfect for outdoor applications used with IFXs PL Series Patio Lights.

SPECIFICATIONS

CRI	Ra>80
Material	Clear Glass // 4mm Plastic
CCT	2200K
Working Temp	-40-196°F
Lifetime	15,000 hours
Dimmable	YES
Lumens	12V/0.9W - 43.89lm 120V/1.5W - 70lm

ORDERING GUIDE



12VAC S14-E26 base

Wattage	Part #
0.9W	S14LF/1/012V/822/G



120VAC S14-E26 base

Glass	
Wattage	Part #
1.5W	S14LF/1.5/120V/822/G
Plastic	
Wattage	Part #
1.5W	S14LF/1.5/120V/822/P



LED

EDISON

Filament Lamps

ST64



ST64 LED Filament :

illuminFx's line of LED filament bulbs offers a low cost, high efficiency lamp to replace both incandescent and fluorescent applications. Get that incandescent appearance but with a low wattage LED replacement. In addition, the ST64 series come with a UL listing (120V only) and full dimming capabilities. A perfect lamp for any incandescent replacements around the house or office. Perfect for outdoor applications used with IFXs PL Series Patio Lights.

SPECIFICATIONS

CRI	Ra>80
Material	Clear Glass // 4mm Plastic
CCT	2200K
Working Temp	-40-196°F
Lifetime	15,000 hours
Dimmable	YES
Lumens	120V/1.5W - 70lm

ORDERING GUIDE



120VAC S14-E26 base

Glass

Wattage	Part #
1.5W	ST64LF/1.5/120V/822/G

Plastic

Wattage	Part #
1.5W	ST64LF/1.5/120V/822/P



Smart led lamps

RGBWW

GEMINIv2

6w

MR16



RoHS Compliant



Bluetooth®



MR16 6W LED :

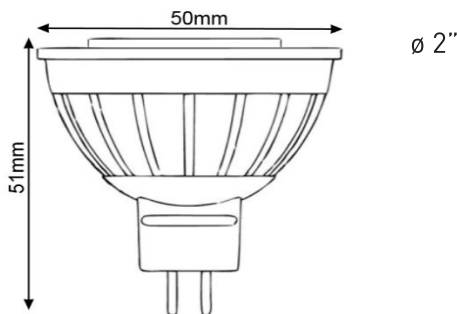
IFX's GEMINI Bluetooth controlled RGB and color temperature adjustable LED MR16 is an innovative LED product for many lighting applications. Use the free Bluetooth enabled Smartphone or tablet APP to control 1 or more MR16 lamps. You can select colors, color temp between 2700 and 6500K. You can also dim your lights and create schedules for automatic lighting control.

- iOS (10.0 and above) and Android (4.4.4 and above) compatible
- Works on a Bluetooth MESH network

SPECIFICATIONS

Type	MR16	
Wattage	6W	
Voltage	MR16 - 12V AC/DC	
Color Temp	RGB and 2700-6500K	
Base	GU5.3	
Power Factor	12VDC 1.0, 12VAC 0.6	
Lumens	2700K (WW)	340 lm
	6500K (CW)	400 lm
Lightwave	Red	70 lm
	Green	100 lm
	Blue	25 lm
Beam Angle	40°	
Operating Temp	-4°F-104°F	
Life	25,000 Hours	
Dimmable	Yes - Via smartphone/tablet APP	
Environment	Suitable for damp locations	
Certifications	ErP, RoHS, CE, REACH, LVD	
Warranty	3 years	

DIMENSIONS



ORDERING GUIDE

example product code: MR16/6/COB/FL40/RGB2765-BT

LIGHT SOURCE	WATTAGE	LED	BEAM SPREAD	COLOR TEMP	WIRE LESS
MR16	6	COB	FL40	RGB2765	BT

RELATED ACCESSORIES

Bluetooth WiFi Gateway
BTMG



A Gateway is needed to bridge the Bluetooth lamps to the WiFi network and allow control over the internet

Bluetooth Mesh Repeater
BMR01

The BT Mesh Repeater enhances the Bluetooth signal and helps the signal penetrate materials to improve performance



RGBW G4 Wafer



RGBW G4

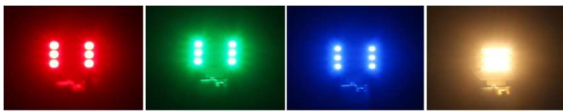


SCAN TO DOWNLOAD APP

Apple

Android





Smart led lamps

RGBW
GEMINIv2
2w

G4
WAFER



G4Wafer 2W LED:

IFX's GEMINI Bluetooth controlled RGBW LED G4 Wafer lamp is an innovative LED product for many lighting applications. Use the free Bluetooth enabled Smartphone or tablet APP to control 1 or more lamps.

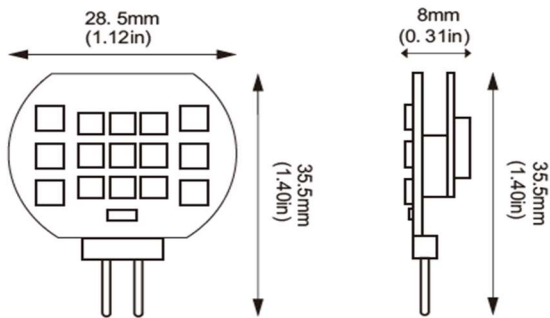
You can select colors or 2700K white. You can also dim your lights and create schedules for automatic lighting control.

- iOS (10.0 and above) and Android (4.4.4 and above) compatible
- Works on a Bluetooth MESH network

SPECIFICATIONS

Type	G4 Wafer	
Wattage	2W	
Voltage	12V AC/DC	
Color Temp	RGBW 2700K	
Base	G4	
Power Factor	12VDC 1.0, 12VAC 0.6	
Lumens	2700K (WW)	180 Lm
	Red	12 Lm
	Green	25 Lm
	Blue	6 Lm
Beam Angle	120°	
Operating Temp	-4°F-104°F	
Life	25,000 Hours	
Dimmable	Yes - Via smartphone/tablet APP	
Environment	Suitable for dry locations	
Certifications	ErP, RoHS, CE, FCC	
Warranty	3 years	

DIMENSIONS



ORDERING GUIDE

example product code: G4/02/WF120/RGB27-BT

LIGHT SOURCE	WATTAGE	LED	BEAM SPREAD	COLOR TEMP	WIRE LESS
G4 Wafer	2	SMD	120	RGBW27	BT

RELATED ACCESSORIES

Bluetooth WiFi Gateway BTMG



A Gateway is needed to bridge the Bluetooth lamps to the WiFi network and allow control over the internet

Bluetooth Mesh Repeater BMR01

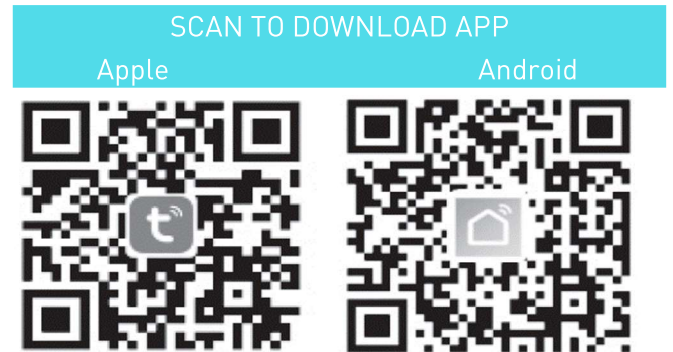


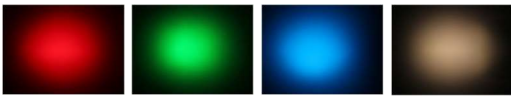
The BT Mesh Repeater enhances the Bluetooth signal and helps the signal penetrate materials to improve performance

MR16



RGBW G4





Smart led lamps

RGBW
GEMINIv2
2w

G4



G4 2W LED:

IFX's GEMINI Bluetooth controlled RGBW LED G4 lamp is an innovative LED product for many lighting applications. Use the free Bluetooth enabled Smartphone or tablet APP to control 1 or more lamps.

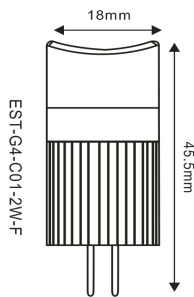
You can select colors or 2700K white. You can also dim your lights and create schedules for automatic lighting control.

- iOS (10.0 and above) and Android (4.4.4 and above) compatible
- Works on a Bluetooth MESH network

SPECIFICATIONS

Type	G4	
Wattage	2W	
Voltage	12V AC/DC	
Color Temp	RGBW 2700K	
Base	G4	
Power Factor	12VDC 1.0, 12VAC 0.6	
Lumens	2700K (WW)	120 Lm
	Red	18 Lm
	Green	42 Lm
	Blue	11 Lm
Beam Angle	360	
Operating Temp	-4°F-104°F	
Life	25,000 Hours	
Dimmable	Yes - Via smartphone/tablet APP	
Environment	Suitable for dry locations	
Certifications	ErP, RoHS, CE, FCC	
Warranty	3 years	

DIMENSIONS



ORDERING GUIDE

example product code: G4/02/OM360/RGB27-BT

LIGHT SOURCE	WATTAGE	LED	BEAM SPREAD	COLOR TEMP	WIRE LESS
G4 Wafer	2	SMD	OMNI360	RGBW27	BT

RELATED ACCESSORIES

Bluetooth WiFi Gateway BTMG



A Gateway is needed to bridge the Bluetooth lamps to the WiFi network and allow control over the internet

Bluetooth Mesh Repeater BMR01



The BT Mesh Repeater enhances the Bluetooth signal and helps the signal penetrate materials to improve performance

MR16



RGBW G4 Wafer



SCAN TO DOWNLOAD APP

Apple

Android





GEMINIv2

Bluetooth Mesh Gateway

BTMG



GATEWAY:

IFX's GEMINI Bluetooth Mesh Gateway provides a link from the Bluetooth lamps and devices on a project to the WiFi router and network, enabling control from the internet and the WiFi network. Use the free Bluetooth enabled Smartphone or tablet APP to control 1 or more lamps.

You can dim your lights and create schedules for automatic lighting control from anywhere you have internet access.

- iOS (10.0 and above) and Android (4.4.4 and above) compatible
- Works on a Bluetooth MESH network

DIMENSIONS

60.5*60.5*16.1mm



ORDERING GUIDE

example product code: BTMG

RELATED ACCESSORIES

Bluetooth Mesh Repeater
BMR01

The BT Mesh Repeater enhances the Bluetooth signal and helps the signal penetrate materials to improve performance



MR16 RGBW/CW



G4 RGBW



G4 Wafer RGBW



SPECIFICATIONS

Status Indicator	Two Led: WiFi and Bluetooth	
Working Current	<1A	
Voltage	5VDC over Micro USB Port	
Dimensions	2 3/8"L x 2 3/8"W x 5/8"H	
Operation	One power/Reset Button	
Working Humidity	10-90% (non-condensing)	
Transmit Power	7 dBm BLE	21 dBm WiFi
Wireless	Wi-Fi: 802.11b/g/n	
	BLE & BLE Mesh	
Frequency	2.4 GHz - 2.4835 GHz	
Max Connections	128	
Operating Temp	14°F-131°F	
Wireless Encryption	128-bit AES; WPA-PSK or WPA2-PSK and WPA or WPA2	
Network Management	Remote App configuration	
	Wi-Fi, Bluetooth module firmware upgrades	
Blue Indicator (BLE)	Blink:allow access; Steady on BLE Active	
Red Indicator (WiFi)	Blink:allow access; Steady on WiFi Active	
Warranty	3 years	

SCAN TO DOWNLOAD APP

Apple

Android





GEMINIv2

Bluetooth Mesh Repeater

BMR01

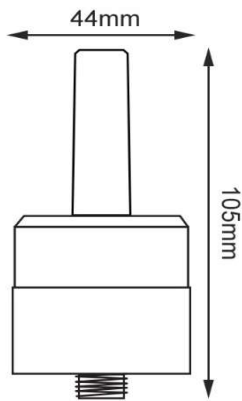


REPEATER:

The GEMINI Bluetooth Mesh Repeater boosts the Bluetooth signal on a project to help penetrate and provide Bluetooth signal to lamps and devices shielded by metals and other materials. Consider placing one BMR01 Repeater every 50 feet.

- iOS (10.0 and above) and Android (4.4.4 and above) compatible
- Works on a Bluetooth MESH network

DIMENSIONS



SPECIFICATIONS

Type	Bluetooth Mesh Repeater
Wattage	0.5W
Input Voltage	9-15V AC/DC
IP Grade	IP65
Base	1/2 NPSM
Max Coverage Radius	300 ft (no obstacles; recommend 50 ft)
Antenna	2.4GHz Bluetooth Gain /UV Resistant
Material	Aluminum
Certification	ErP, RoHS, CE, FCC
Operation System	Tuya Smart
Voltage Standing Wave Ratio \leq	1.5(dB)
Operating Temp	-4°F-104°F
Warranty	3 Years
Dimmable	Yes - Via smartphone/tablet APP
Environment	Suitable for wet locations

ORDERING GUIDE

product code: BMR01

RELATED ACCESSORIES

Bluetooth WiFi Gateway
BTMG

A Gateway is needed to bridge the Bluetooth lamps to the WiFi network and allow control over the internet



G4 RGBW



MR16 RGBW/CW



RGBW G4 Wafer



SCAN TO DOWNLOAD APP

Apple



Android



C O M M E R C I A L
L I G H T I N G



Commercial

Tunable CCT & Power

LTG3

Center Basket
Troffer

LTG3

FEATURES

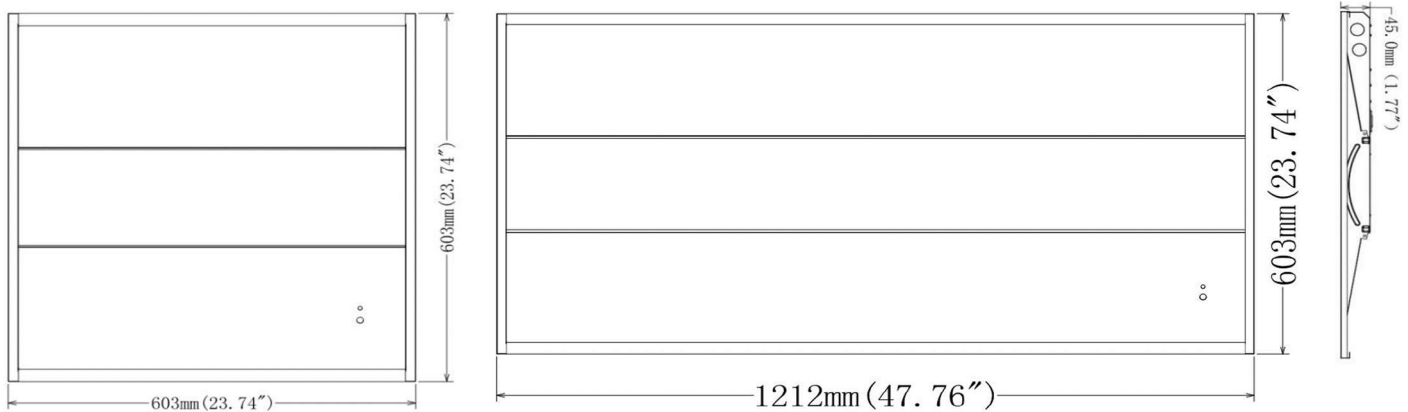
Attractive, high-performance, ultra-thin and functional, the LTG3 series offers versatility and sustainability to high end commercial spaces.

- CCT Tunable 3500K/4000K/5000K
- Wattage tunable 2x2: 24/36W 2x4: 24/36/45W
- 0-10V Dimming
- 120-277VAC
- 125 Lumens/Watt
- Less than 2" deep; fits in shallow plenum spaces
- Configurable watts and CCT make it ideal for landlords to tailor to tenants' needs

SPECIFICATIONS

Housing	Precision fabricated steel, high reflectivity, low glare diffuse white powder coat
Lens	crack resistant, flexible center basket
Input Wattage	2x2: 24/36W 2x4: 24/36/45W
Operating Temp.	-13° to 122°F
Power Factor	>0.90
Color	3000/4000/5000K
CRI	80+
LM80 Life Span	>50,000 Hrs
Certifications	ETL, DLC (RRRVZM, PDMYI1TN)
Warranty	5 Years

DIMENSIONS



Model Number	Size	Wattage	CRI	Color Temperature	Input Voltage	Dimming	Sensor	EM Backup
LTG3-2224/36W-35/50K	2x2	24/36	80+	3500/4000/5000	120-277	0-10V	add -S	add EM
LTG3-2424/45-35/50K	2x4	24/36/45	80+	3500/4000/5000	120-277	0-10V	add -S	add EM

ACCESSORIES



Commercial

LINEAR

23 / 35 / 45 / 70W LED

LSM



LINEAR LSM :

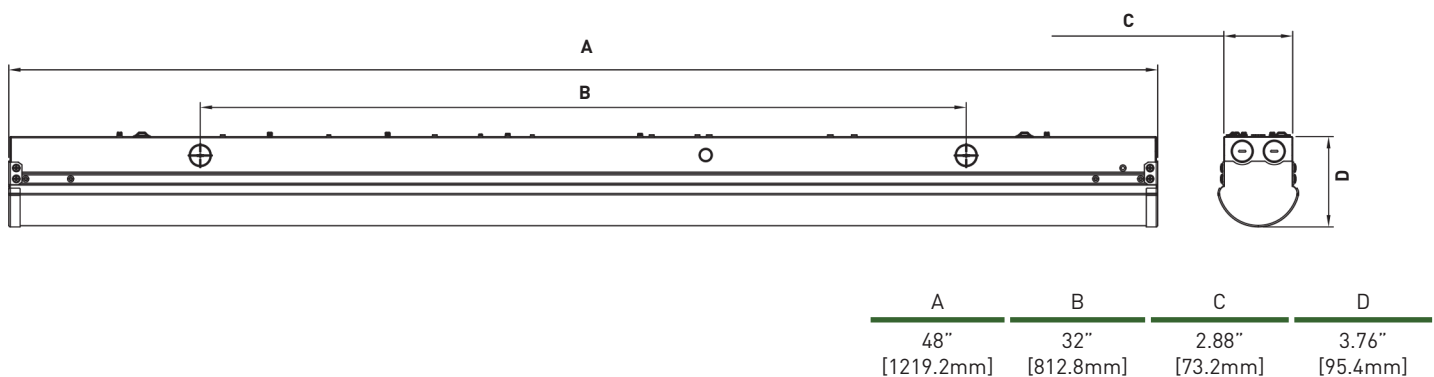
The linear LED LSM from IFX offers great light output for general interior lighting applications. The shatterproof polycarbonate UV stabilized lens and sealed die-cast aluminum housing make them perfect for most environments.

- UL listed and DLC
- Optional motion sensor
- Standard 0-10V dimmable driver
- 50,000 hour lifespan / 5 year warranty

SPECIFICATIONS

Wattage	23 / 35 / 45 / 70W			
Efficacy	up to 130 lm/W			
Color Temp	3000K / 4000K / 5000K			
Lumens		3000K	4000K	5000K
	23W	2900	3000	3050
	35W	4450	4650	4700
	45W	5850	6000	6050
	70W	8900	9250	9400
Power Factor	>0.95			
CRI	>80			
Input Voltage	AC100-277V 50/60Hz			
Housing	Die-cast aluminum			
Mounting	Surface or chain mount			
Warranty	5 years			

DIMENSIONS



ORDERING GUIDE

example product code: LSM20-U840-WTIS

SERIES	TOTAL WATTAGE	VOLTAGE	CRI	COLOR TEMP	FINISH	OPTIONAL*
LSM	20	U	8	40	WT	IS
	20-20 Watts			50-5000K		IS-PIR Sensor
	35-35 Watts			40-4000K		B-Battery backup
	45-45 Watts			30-30000K		
	70-70 Watts					

*Optional features. Select which you want and add to the end of the part #



Commercial

WP04

38/78W LED

WP



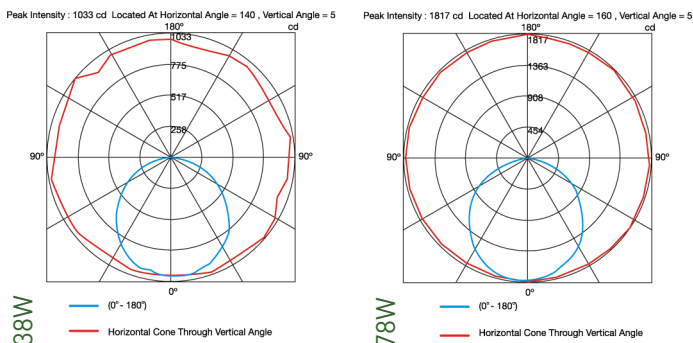
WP04 :

Utilizing the latest generation of LED chips, this uniquely designed wallpack delivers a similar light output to a 150/250W metal halide but with only 1/3 of the energy consumption. The housing is made of powder coated die-cast aluminum specifically designed for a harsh outdoor environment. The WP-311 is also full cut-off dark sky compliant mounting sleeve.

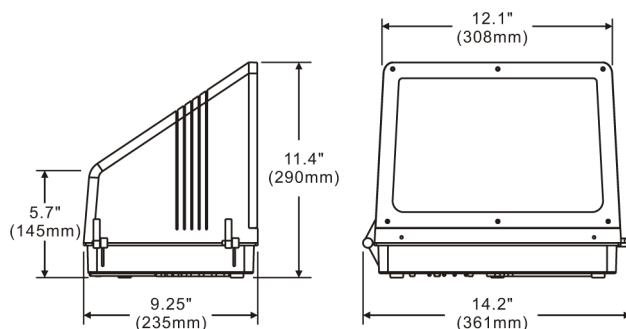
SPECIFICATIONS

Housing	Die-cast aluminum		
Coating	UV stabilized powder coated		
Glass	Heat and impact resistant tempered		
Output		Lumens	Equivalent
	40W	2857lm / 70 CRI	150W MH
	77W	5449lm / 70 CRI	250W MH
LED	CREE XP-E		
Environment	Suitable for wet locations		
Input Voltage	120-277VAC		
Certifications	UL/CUL listed for wet locations DLC listed		
Warranty	2 years		

PHOTOMETRICS



DIMENSIONS



ORDERING GUIDE

MODEL NUMBER	WATTAGE	BEAM SPREAD	INPUT VOLTAGE	CRI	COLOR TEMP	HOUSING COLOR
WP04	38	WFL120	UA	7	47	BZ
	38W 78W				30 - 3000K* 40 - 4000K* 47 - 4700K 55 - 5500K*	BL - Black* BZ - Bronze WH - White*

* Available with extended lead time
* Minimum orders may apply



Commercial

WP06

40/90/125W LED

WP



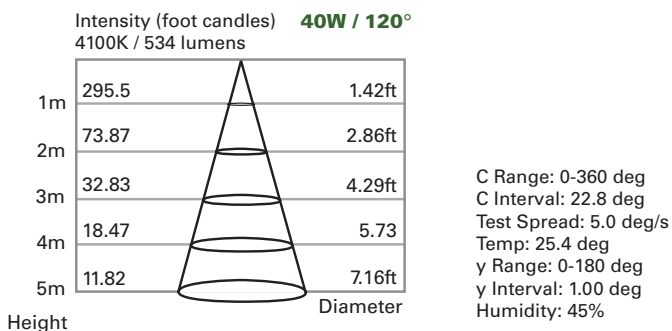
WP06 :

illuminFx's new WP06 line of LED wallpacks utilizes cutting edge technology to create an amazing fixture for both retrofit and new installations. A precision die cast powder coated aluminum housing ensures for a long life. And the UL/cUL listed LED driver is protected from short circuit, over current/voltage, and temperature. These power supplies power the CREE XBD chip with last 100,000 hours. Finally the built in photocell makes the whole system easy to install.

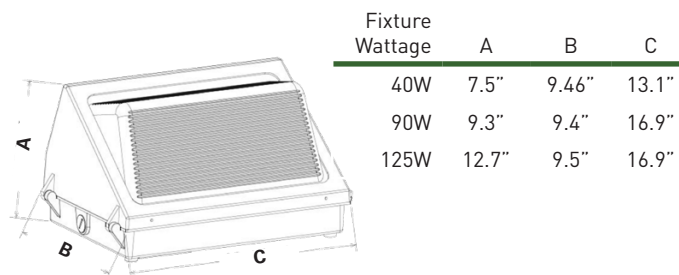
SPECIFICATIONS

Housing	Powder coated Die-cast aluminum	
Coating	UV stabilized powder coated	
Color Temp	3000 / 4100 / 5500 / 6000 K	
Beam Spread	120°	
Glass	Heat and impact resistant tempered	
MH Equivalent	40W	150W MH
	90W	320W MH
	125W	400W MH
LED	CREE XBD / PF 0.98	
Environment	Suitable for wet locations. 0-99% humidity	
Input Voltage	100-277VAC	
Certifications	UL/CUL listed for wet locations DLC listed (4100K and 5500K ONLY)	
Warranty	5 years	

PHOTOMETRICS



DIMENSIONS



ORDERING GUIDE

MODEL NUMBER	WATTAGE	BEAM SPREAD	INPUT VOLTAGE	CRI	COLOR TEMP	HOUSING COLOR
WP06	40	FL120	UA	7	55	BL

40W
90W
125W

30 - 3000K
41 - 4000K
55 - 5500K
60 - 6000K

down light



Commercial

APOLLO

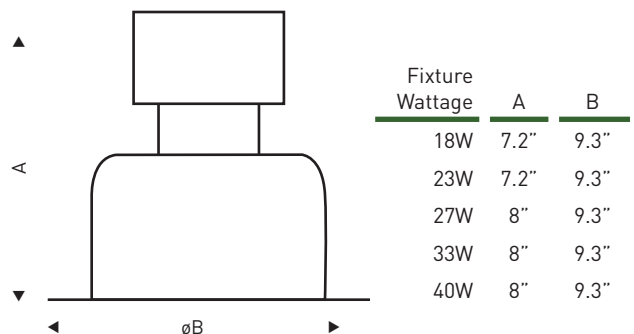
8" LED Retrofit

DL

SPECIFICATIONS

Housing	Die-cast aluminum
Driver Efficiency	≥87%
Efficacy	≤91 Lumens Per Watt
CRI	Ra>80
LED Type	CREE COB with Truewhite Technology
Beam Spread	40°
Driver Output	36V DC
Input Voltage	100-277V AC 50/60Hz
Input Current	0.2A
Dimmable	Yes
Lifetime	≥50,000 hours
Certifications	UL/cUL listed, Energy Star, RoHS FCC 47Part 15, LM79 Report, Suitable for Damp locations
Warranty	2 years

DIMENSIONS



APOLLO DL08 :

This 8" retrofit downlight is perfect for replacing most incandescent, CFL or H.I.D. fixtures. Conversion can even be done from below the ceiling without removing the existing fixtures.

LED CHIP

CREEs COB LED technology is used to create powerful efficient lighting. Each chip has been LM80 tested from an accredited testing laboratory in accordance with IESNA standards. Testing provides for superior color consistency over time and temperature.

HEAT SINK

The LED light source mounts directly to the heat sink. This extended aluminum heat sink provides even distribution to cool the board. High thermal conductivity, radiation coefficient, and convection coefficient allow the LEDs to run cooler which provides a significant boost to lifetime, efficacy, and color consistency.

OPTICAL SYSTEM

The reflector is made of surface oxidized metal, which enhances the lumen output of the fixture. The fish scale pattern on the interior of the reflector helps to prevent light glare, which makes for an even light distribution.

ORDERING GUIDE

Model Number	Wattage	Finish	LUM Flux	Efficacy	XX Available Color Temp	CCT
DL08-18SP40-UA-8XXA	18W	Aluminum	1448	82 lpw		
DL08-23SP40-UA-8XXA	23W	Aluminum	2060	91 lpw		
DL08-27SP40-UA-8XXA	27W	Aluminum	2380	87 lpw		
DL08-33SP40-UA-8XXA	33W	Aluminum	2830	83 lpw		
DL08-40SP40-UA-8XXA	40W	Aluminum	3190	78 lpw		
					30	3000K
					35	3500K
					40	4000K
					50	5000K



down light



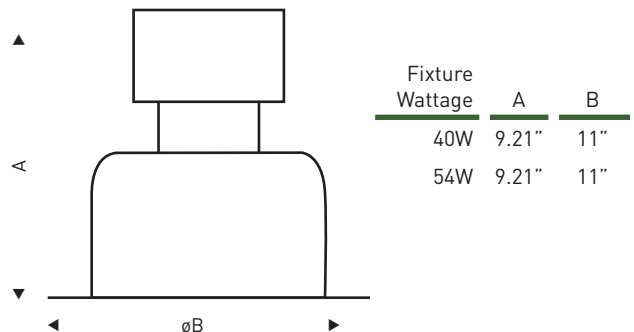
Commercial
APOLLO
10" LED Retrofit

DL

SPECIFICATIONS

Housing	Die-cast aluminum
Driver Efficiency	≥87%
Efficacy	≤70 Lumens Per Watt
Power Factor	>0.9
LED Type	CREE COB with Truewhite Technology
Beam Spread	40°
THD	<20%
Input Voltage	100-277V AC 50/60Hz
Input Current	0.2A
Dimmable	Yes with standard DC dimmers
Lifetime	≥50,000 hours
Certifications	UL/cUL listed, Energy Star, RoHS FCC 47Part 15, LM79 Report, Suitable for Damp locations
Warranty	2 years

DIMENSIONS



APOLLO DL10 :

This 10" retrofit downlight is perfect for replacing most incandescent, CFL or H.I.D. fixtures. Conversion can even be done from below the ceiling without removing the existing fixtures.

LED CHIP

CREEs COB LED technology is used to create powerful efficient lighting. Each chip has been LM80 tested from an accredited testing laboratory in accordance with IESNA standards. Testing provides for superior color consistency over time and temperature.

HEAT SINK

The LED light source mounts directly to the heat sink. This extended aluminum heat sink provides even distribution to cool the board. High thermal conductivity, radiation coefficient, and convection coefficient allow the LEDs to run cooler which provides a significant boost to lifetime, efficacy, and color consistency.

OPTICAL SYSTEM

The reflector is made of surface oxidized metal, which enhances the lumen output of the fixture. The fish scale pattern on the interior of the reflector helps to prevent light glare, which makes for an even light distribution.

ORDERING GUIDE

Model Number	Wattage	Finish	LUM Flux	Efficacy	XX Available Color Temp	CCT
DL10-40SP40-UA-8XXA	40W	Aluminum	3000	70 lpw	30	3000K
DL10-54SP40-UA-8XXA	54W	Aluminum	4200	70 lpw	40	4000K
					50	5000K





Commercial LED RETROFIT

9 / 18 / 36 / 54 / 72W LED

CMR



LED RETROFIT CMR :

The CMR Magnetic LED Retrofit Strip Kit is a long lasting and money-saving solution that retrofits traditional 1x4, 2x2, and 2x4 light fixtures. At 130-140 Lm/W, these kits offer high efficiency, are Eco-Friendly, and offer simple magnetic installation.

Spaces including offices, lobbies, hallways, conference rooms and classrooms in schools, municipalities, libraries, office buildings, factories, airports, healthcare facilities and so on are perfect applications for this innovative and simple to install LED solution.

- UL listed and DLC (pending)
- Dimmable option available
- Clear and frosted covers available

SPECIFICATIONS

Wattage	9W / 18W / 36W / 54W / 72W	
Efficacy	up to 140lm/W	
Color Temp	3000K / 4000K / 5000K / 6500K	
Lumen Output	Watts	Lumens
	9	1260
	18	2520
	36	5040
	54	7560
	72	10080
Power Factor	>0.95	
CRI	>80	
Input Voltage	AC100-277V 50/60Hz	
Ambient Temp	-13-104°F	
Warranty	5 years	

ORDERING GUIDE

CMR // 2' and 4' - 9 / 18 / 27 / 36 / 54 / 72W LED Retrofit

example product code: CMR2218-850-C-D

SERIES	SIZE and # of STRIPS	TOTAL WATTAGE	CRI	COLOR TEMP	LENS TYPE	DIMMING*
CMR	2218		8	50	C	D
	21-2' x 1 strip // 09-9 watts			65-6500K	C-Clear	
	22-2' x 2 strips // 18-18 watts			50-5000K	F-Frosted	
	23-2' x 3 strips // 27-27 watts			40-4000K	N-None	
	41-4' x 1 strip // 18-18 watts			30-3000K		
	42-4' x 2 strips // 36-36 watts					
	43-4' x 3 strips // 54-54 watts					
	44-4' x 4 strips // 72-72 watts					

*Dimming is optional. If no dimming required, DO NOT include the D at the end of the part number.

LED RETROFIT

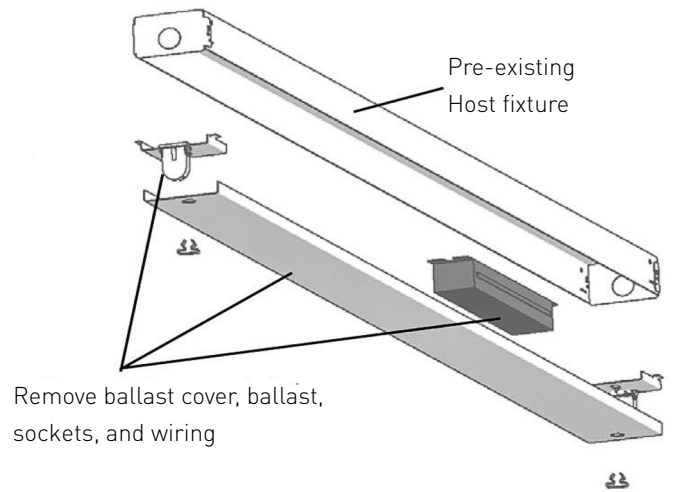
retrofit

INSTALLATION GUIDE

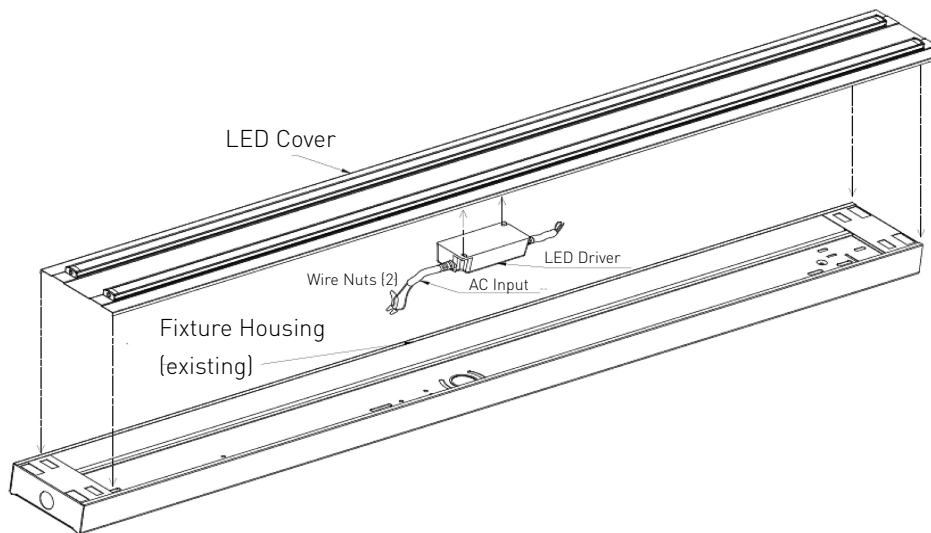
DISASSEMBLY

The disassembly involves removing and discarding the original ballast cover, ballast, sockets, and wiring of the existing fixture. Dispose of these parts in accordance with state and local codes. Please recycle all reusable parts.

1. **Shut off power to the existing fixture.** Disconnect the black and white power supply wires to existing ballast.
2. Remove and discard the fluorescent lamps.
3. Remove and discard the host fixture parts.
 - Remove the ballast cover, and remove the sockets. If the channel has end plates they may need to be removed prior to removing the sockets. Finally, remove the ballast and the wiring, and replace the end plates if necessary.

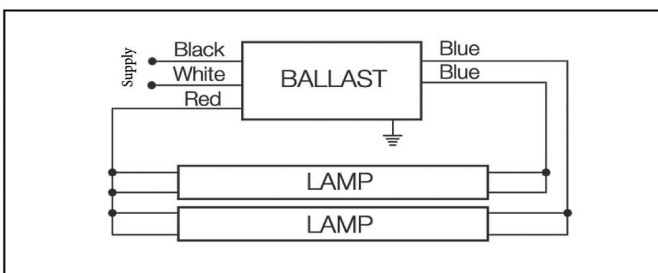


ASSEMBLY

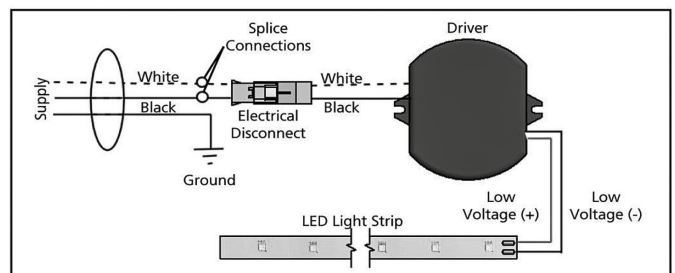


WIRING DIAGRAMS

Wiring Diagram BEFORE retrofit installation



Wiring Diagram AFTER retrofit installation



non cutoff



Commercial

WALL PACK

30 / 45 / 70 / 90 / 135W LED

WPM



WALL PACK WPM :

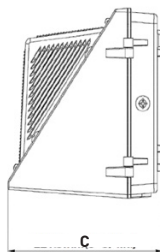
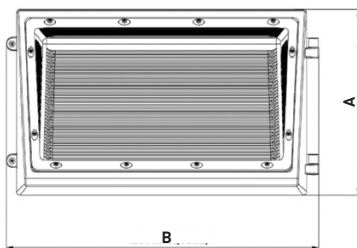
The Non-cutoff wall pack WPM from IFX offers great light output for outdoor security. The shatterproof polycarbonate UV stabilized lens and sealed die-cast aluminum housing make them perfect for most environments.

- UL listed and DLC
- Bubble level inside for easy installation
- Optional Photocell
- 50,000 hour lifespan / 5 year warranty

SPECIFICATIONS

Wattage	30 / 45 / 70 / 90 / 135W		
Efficacy	up to 121 lm/W		
Color Temp	4000K / 5000K		
Lumens	4000K	5000K	
	30W	3306	3400
	45W	5223	5300
	70W	7950	8100
	90W	10928	11200
	135W	15691	16400
Power Factor	>0.95		
CRI	>80		
Input Voltage	AC100-277V 50/60Hz		
Housing	Die-cast aluminum		
Mounting	Junction box, or direct wall mount		
Warranty	5 years		

DIMENSIONS



Fixture Wattage	A	B	C
30 / 45 / 75W	9.252" [235mm]	14.212" [361mm]	7.401" [188mm]
90 / 135W	9.75" [247.65mm]	18" [457.4mm]	8.75" [221.25mm]

ORDERING GUIDE

example product code: WPM30-U840-DBPC

SERIES	TOTAL WATTAGE	VOLTAGE	CRI	COLOR TEMP	FINISH	OPTIONAL*
WPM	30	U	8	40	DB	PC
	30—30 Watts			50—5000K		PC—Photocell
	45—45 Watts			40—54000K		
	70—70 Watts					
	90—90 Watts					
	135—135 Watts					

*Optional features. Select which you want and add to the end of the part #



full cutoff

Commercial WALL PACK

45 / 70 / 90W LED

WFM



WALL PACK WFM :

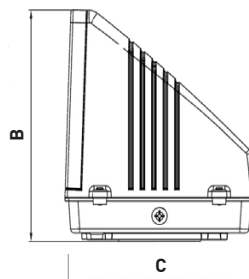
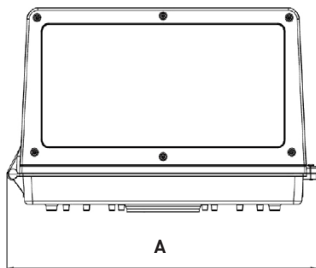
The full cutoff wall pack WFM from IFX offers great light output for outdoor security. The shatterproof polycarbonate UV stabilized lens and sealed die-cast aluminum housing make them perfect for most environments.

- UL listed and DLC
- Bubble level inside for easy installation
- Optional Photocell
- 50,000 hour lifespan / 5 year warranty

SPECIFICATIONS

Wattage	45 / 70 / 90W		
Efficacy	up to 109 lm/W		
Color Temp	4000K / 5000K		
Lumens		4000K	5000K
	45W	4875	4900
	70W	7327	7350
	90W	9378	9500
Power Factor	>0.95		
CRI	>80		
Input Voltage	AC100-277V 50/60Hz		
Housing	Die-cast aluminum		
Mounting	Junction box, or direct wall mount		
Warranty	5 years		

DIMENSIONS



Fixture Wattage	A	B	C
45 / 75W	14.212" [361mm]	8.779" [223mm]	9.251" [235mm]
90W	18.098" [459.68mm]	10.81" [457.4mm]	9.75" [247.65mm]

ORDERING GUIDE

example product code: WFM45-U840-DBPC

SERIES	TOTAL WATTAGE	VOLTAGE	CRI	COLOR TEMP	FINISH	OPTIONAL*
WFM	45	U	8	40	DB	PC
	45—45 Watts			50—5000K		PC—Photocell
	70—70 Watts			40—54000K		
	90—90 Watts					

*Optional features. Select which you want and add to the end of the part #



slim full cutoff

Commercial

WALL PACK

30 / 40 / 70 / 90W LED

WSM



WALL PACK WSM :

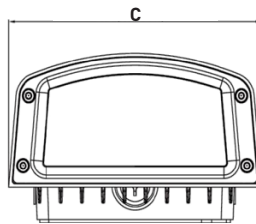
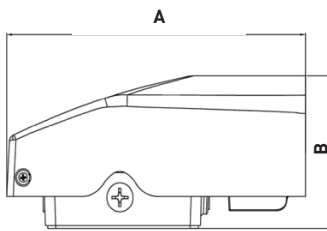
The slim full cutoff wall pack WSM from IFX offers great light output for outdoor security. The shatterproof polycarbonate UV stabilized lens and sealed die-cast aluminum housing make them perfect for most environments.

- UL listed and DLC
- Head tilts up to 20°
- Optional Photocell
- 50,000 hour lifespan / 5 year warranty

SPECIFICATIONS

Wattage	30 / 40 / 70 / 90W		
Efficacy	up to 102 lm/W		
Color Temp	4000K / 5000K		
Lumens		4000K	5000K
	30W	3000	3053
	40W	4500	4636
	70W	7711	7800
	90W	10034	10500
Power Factor	>0.95		
CRI	>80		
Input Voltage	AC100-277V 50/60Hz		
Housing	Die-cast aluminum		
Mounting	Junction box, or direct wall mount		
Warranty	5 years		

DIMENSIONS



Fixture Wattage	A	B	C
30 / 40W	8.96" [227.7mm]	4.13" [105mm]	6.77" [172mm]
70 / 90W	10.16" [258.2mm]	5.17" [131.32mm]	12.99" [330mm]

ORDERING GUIDE

example product code: WSM30-U840-DBPC

SERIES	TOTAL WATTAGE	VOLTAGE	CRI	COLOR TEMP	FINISH	OPTIONAL*
WFM	30	U	8	40	DB	PC
	30—30 Watts			50—5000K		PC—Photocell
	40—40 Watts			40—54000K		
	70—70 Watts					
	90—90 Watts					

*Optional features. Select which you want and add to the end of the part #



wall mount

Commercial

WALL MOUNT

15W LED

WCM



WALL MOUNT WCM :

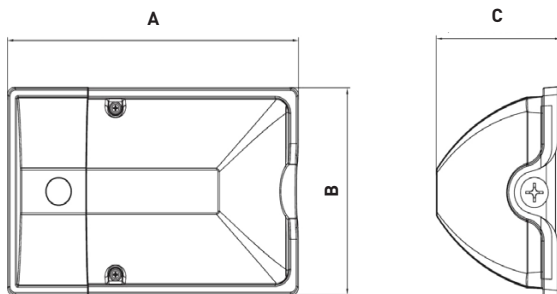
The Wall Mount WCM from IFX offers great light output for outdoor security. The shatterproof polycarbonate UV stabilized lens and sealed die-cast aluminum housing make them perfect for most environments.

- UL listed and DLC
- Compact design saves space
- Optional Photocell
- 50,000 hour lifespan / 5 year warranty

SPECIFICATIONS

Wattage	15W		
Efficacy	up to 107 lm/W		
Color Temp	4000K / 5000K		
Lumens	4000K	5000K	
	15W	1514	1600
Power Factor	>0.95		
CRI	>80		
Input Voltage	AC100-277V 50/60Hz		
Housing	Die-cast aluminum		
Mounting	Junction box, or direct wall mount		
Warranty	5 years		

DIMENSIONS



Fixture Wattage	A	B	C
15W	8.384" [212.94mm]	5.48" [139.3mm]	3.523" [89.5mm]

ORDERING GUIDE

example product code: WCM15-U840-DBPC

SERIES	TOTAL WATTAGE	VOLTAGE	CRI	COLOR TEMP	FINISH	OPTIONAL*
WCM	15	U	8	40	DB	PC
				50-5000K		PC-Photocell
				40-4000K		

*Optional features. Select which you want and add to the end of the part #

barn light

Commercial

BARN LIGHT

45 / 70W LED

BNM



BARN LIGHT BNM :

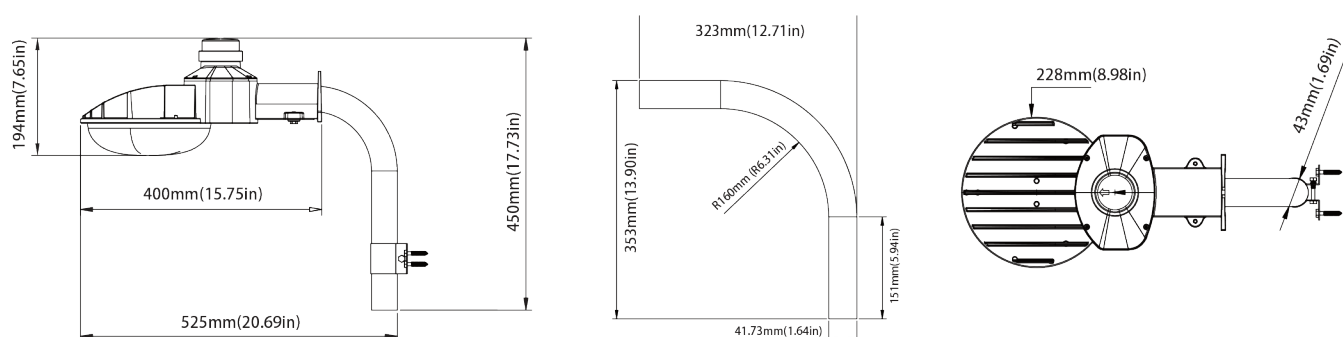
The barn light BNM from IFX offers great light output for outdoor security and perimeter lighting. The shatterproof polycarbonate UV stabilized lens and sealed die-cast aluminum housing make them perfect for most environments.

- UL listed and DLC
- Steel mounting arm included
- Optional Photocell
- 50,000 hour lifespan / 5 year warranty

SPECIFICATIONS

Wattage	45 / 70W	
Efficacy	up to 110 lm/W	
Color Temp	4000K / 5000K	
Lumens	45W	4930
	70W	6700
Power Factor	>0.95	
CRI	>80	
Input Voltage	AC100-277V 50/60Hz	
Housing	Die-cast aluminum	
Mounting	Steel arm	
Warranty	5 years	

DIMENSIONS



ORDERING GUIDE

example product code: BNM45-U840-DBPC

SERIES	TOTAL WATTAGE	VOLTAGE	CRI	COLOR TEMP	FINISH	OPTIONAL*
WFM	45	U	8	40	DB	PC
	45—45 Watts			50—5000K		PC—Photocell
	70—70 Watts			40—54000K		

*Optional features. Select which you want and add to the end of the part #



round spot

Commercial

ROUND SPOT

20 / 30W LED

MRM



ROUND SPOT MRM :

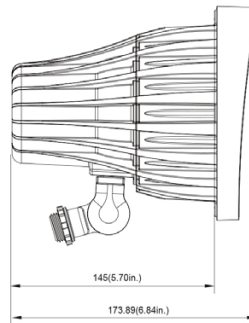
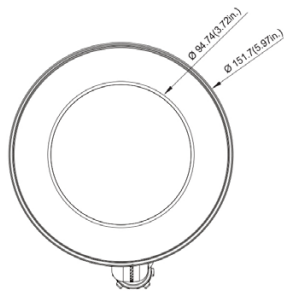
The round spot light MRM from IFX offers great light output for outdoor landscape and hardscape lighting. The shatterproof polycarbonate UV stabilized lens and sealed die-cast aluminum housing make them perfect for most environments.

- UL listed and DLC
- 1/2" adjustable knuckle mount (77° adjustable)
- 50,000 hour lifespan / 5 year warranty

SPECIFICATIONS

Wattage	20 / 30W			
Efficacy	up to 125 lm/W			
Color Temp	3000K / 4000K / 5000K			
Lumens		3000K	4000K	5000K
	20W	2384	2500	2500
	30W	3222	3350	3350
Beam Angle	20° w/77° adjustable knuckle			
Power Factor	>0.95			
CRI	>80			
Input Voltage	AC100-277V 50/60Hz			
Housing	Die-cast aluminum			
Installation	1/2" Knuckle Mount			
Warranty	5 years			

DIMENSIONS



ORDERING GUIDE

example product code: MRM20-SP20-U840-DB

SERIES	TOTAL WATTAGE	BEAM SPREAD	VOLTAGE	CRI	COLOR TEMP	FINISH
MRM	20	SP20	U	8	40	DB
	20—20 Watts				50—5000K	DB—Dark Bronze
	30—30 Watts				40—4000K	S—Silver
					30—3000K	

mini flood



Commercial

MINI FLOOD

15 / 30 / 45W LED

MFM



MINI FLOOD MFM :

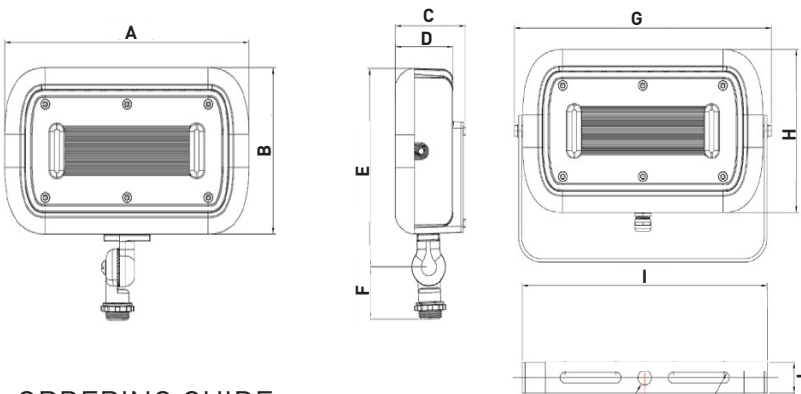
The mini flood light MFM from IFX offers great light output for outdoor landscape and hardscape lighting. The shatterproof polycarbonate UV stabilized lens and sealed die-cast aluminum housing make them perfect for most environments.

- UL listed and DLC
- 1/2" adjustable knuckle mount (77° adjustable)
- 50,000 hour lifespan / 5 year warranty

SPECIFICATIONS

Wattage	15 / 30 / 45W		
Efficacy	up to 100 lm/W		
Color Temp	3000K / 4000K / 5000K		
Lumens	3000K	4000K	5000K
	15W	1373	1500
	30W	2693	3000
	45W	5152	5400
Beam Angle	>130°		
Power Factor	>0.95		
CRI	>80		
Input Voltage	AC100-277V 50/60Hz		
Housing	Die-cast aluminum		
Installation	Knuckle / Trunnion		
Warranty	5 years		

DIMENSIONS



Wattage	A	B	C	D	E
15W	4.72" [120mm]	2.95" [75mm]	1.45" [36.9mm]	1.17" [29.9mm]	3.98" [101.23mm]
30W	7.08" [180mm]	4.42" [112.5mm]	1.75" [44.5mm]		5.46" [138.72mm]
45W	8.26" [210mm]	5.16" [131.25mm]	2.45" [62.33mm]	2" [51mm]	6.19" [157.3mm]
Wattage	F	G	H	I	J
15W	1.62" [41.29mm]	5.36" [136.3mm]	2.95" [75mm]	4.96" [126mm]	0.787" [20mm]
30W	1.62" [41.29mm]	7.72" [196.19mm]	4.42" [112.5mm]	7.32" [186mm]	0.787" [20mm]
45W	1.62" [41.29mm]	8.84" [224mm]	5.16" [131.25mm]	8.54" [217mm]	0.787" [20mm]

ORDERING GUIDE

example product code: MFM15-FL130-U840-DBKN

SERIES	TOTAL WATTAGE	BEAM SPREAD	VOLTAGE	CRI	COLOR TEMP	FINISH	MOUNTING
MFM	15	FL130	U	8	40	DB	KN
	15—15 Watts				50—5000K		KN—Knuckle
	30—30 Watts				40—4000K		T—Trunnion
	45—30 Watts				30—3000K		

high bay

Commercial LINEAR HIGH BAY

90 / 130 / 180W LED

LHBM



L. HIGH BAY LHBM :

The LHB Linear High Bay fixture from IFX is an ideal one-to-one replacement for conventional HID, T8, and T5 fluorescent fixtures with mounting heights ranging from 15' to 45'.

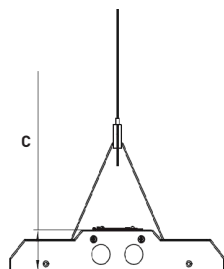
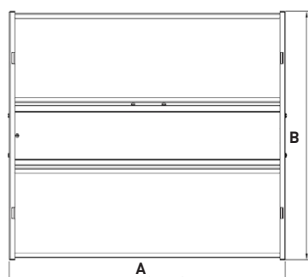
Linear High Bays are widely used in warehouses, workshops, convention centers, gymnasiums, factories, and other industrial, and commercial applications.,

- UL listed and DLC
- Dimmable option available
- Optional Motion Sensor and Battery backup

SPECIFICATIONS

Wattage	90W / 130W / 180W		
Efficacy	up to 134 lm/W		
Color Temp	4000K / 5000K		
Lumen Output	Lumens		
	Watts	4000K	5000K
	90	11618	11800
	130	17344	17650
	180	23482	23800
Power Factor	>0.95		
CRI	>80		
Input Voltage	AC100-277V 50/60Hz		
Housing	Die-cast aluminum		
Mounting	Chain pendant (included)		
Warranty	5 years		

DIMENSIONS



Fixture Wattage	A	B	C
90W	23.92" [607.6mm]	10.31" [262mm]	1.83" [46.5mm]
130W	23.92" [607.6mm]	19.69" [500mm]	1.83" [46.5mm]
180W	23.92" [607.6mm]	19.69" [500mm]	1.83" [46.5mm]

ORDERING GUIDE

example product code: LHBM130-U840-WTDIS

SERIES	TOTAL WATTAGE	VOLTAGE	CRI	COLOR TEMP	FINISH	DIMMING*	OPTIONS**
LHBM	130	U	8	40	WT	D	IS
	90-90 Watts			50-5000K			IS-PIR Sensor
	130 -130 Watts			40 -54000K			B-Battery backup
	180-180 Watts						

*Dimming is optional. If no dimming required, DO NOT include the D at the end of the part number.

**Optional features. Select which you want and add to the end of the part #



illuminFx reserves the right to make changes to specifications at any time with or without notice



Commercial
CANOPY
30 / 45 / 60W LED

CPRM



CANOPY CPRM :

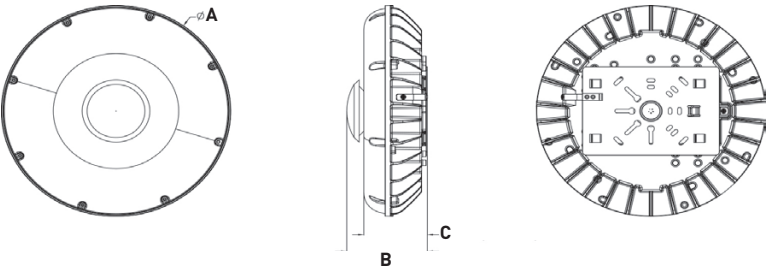
The round canopy light CPRM from IFX offers great light output for indoor and outdoor applications. The shatterproof polycarbonate UV stabilized lens and sealed die-cast aluminum housing make them perfect for most environments. 2 options are available: standard general low bay lighting distribution, or a lens developed specifically for parking lot applications.

- UL listed and DLC
- Head tilts up to 20°
- Optional Photocell
- Optional bi-level motion sensor
- 50,000 hour lifespan / 5 year warranty

SPECIFICATIONS

Wattage	30 / 45 / 60W		
Efficacy	up to 127 lm/W		
Color Temp	4000K / 5000K		
Lumens		4000K low bay / parking garage	5000K low bay / parking garage
	30W	3500 / 3800	3600 / 3800
	45W	4900 / 5500	5000 / 5500
	60W	7000 / 7600	7100 / 7600
Power Factor	>0.95		
CRI	>70		
Input Voltage	AC100-277V 50/60Hz		
Housing	Die-cast aluminum		
Mounting	Junction box, or pendant mounting		
Warranty	5 years		

DIMENSIONS



Fixture Wattage	A	B Optional PIR Sensor	C
	30 / 40W	ø12" [ø 304.75mm]	4.21" [107mm]

ORDERING GUIDE

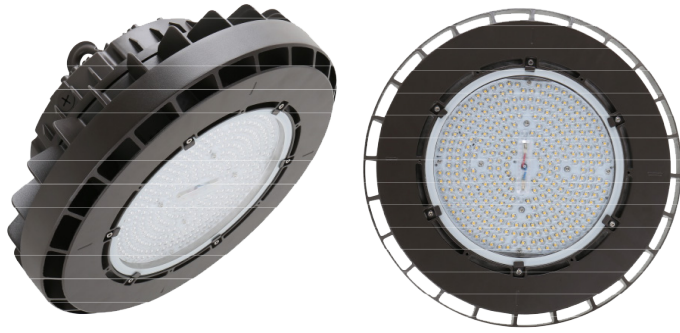
example product code: CPRM30-U740-WTPCIS

SERIES	TOTAL WATTAGE	VOLTAGE	CRI	COLOR TEMP	FINISH	OPTIONAL*
CPRM	30	U	7	40	WT	PCIS
	30—30 Watts			50—5000K		PC—Photocell
	45—45 Watts			40—54000K		IS—PIR Sensor
	60—60 Watts					B—Battery Backup

*Optional features. Select which you want and add to the end of the part #



ufo high bay



Commercial

UFO

140 / 200W LED

**HBM
UFO**



UFO HBMUFO :

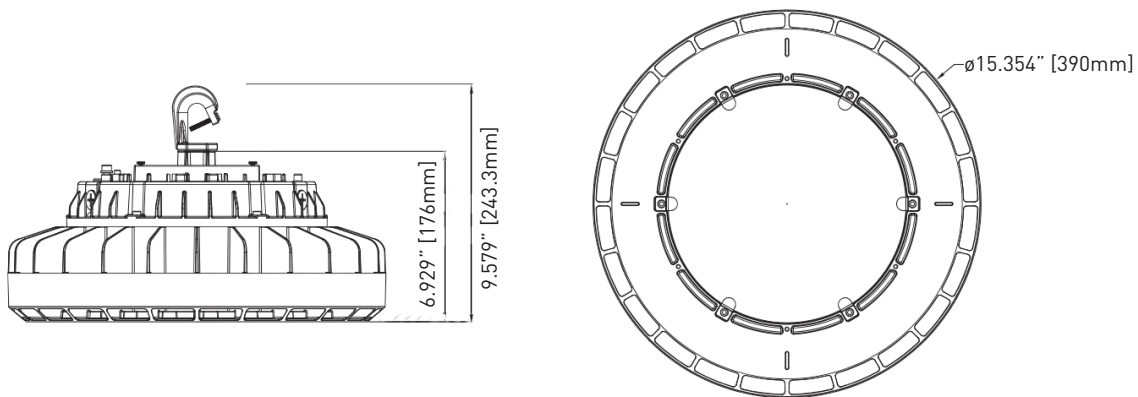
The UFO High Bay HBMUFO from IFX offers great light output for general interior lighting applications. The shatterproof polycarbonate UV stabilized lens and sealed die-cast aluminum housing make them perfect for most environments.

- UL listed and DLC
- Optional bi-level sensor
- 50,000 hour lifespan / 5 year warranty

SPECIFICATIONS

Wattage	140 / 200W		
Efficacy	up to 136 lm/W		
Color Temp	4000K / 5000K		
Lumens		4000K	5000K
	140W	19000	19180
	200W	26000	26167
Power Factor	>0.95		
CRI	>70		
Input Voltage	AC100-277V 50/60Hz		
Housing	Die-cast aluminum		
Mounting	Hook, conduit, or Junction box		
Warranty	5 years		

DIMENSIONS



ORDERING GUIDE

example product code: HBMUFO140-U740-DBBL

SERIES	TOTAL WATTAGE	VOLTAGE	CRI	COLOR TEMP	FINISH	OPTIONAL*
HBMUFO	140	U	7	40	DB	BL
	140—140 Watts			50—5000K		BL—Bi-Level Sensor
	200—200 Watts			40—54000K		

*Optional features. Select which you want and add to the end of the part #



Commercial

CENTAURI v2

150 / 200 / 250 / 300W LED

CFM



CENTAURI v2 CFM :

The Centauri v2 LED CFM area light from IFX offers great light output for wide variety of outdoor lighting applications. The shatterproof polycarbonate UV stabilized lens and sealed die-cast aluminum housing make them perfect for most environments.

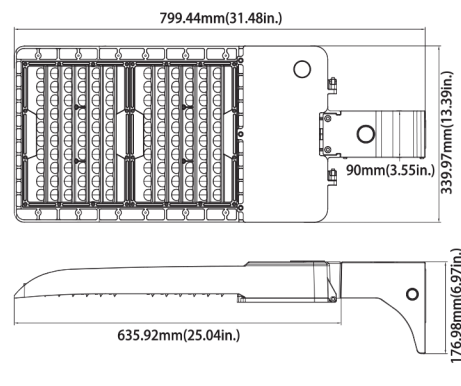
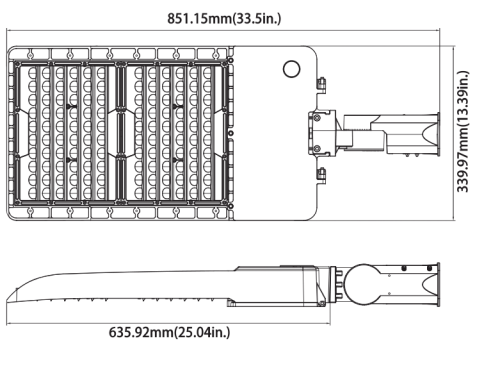
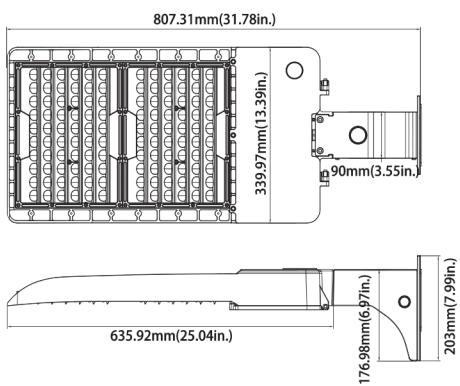
- UL listed and DLC
- Optional motion sensor and photocell
- Standard 0-10V dimmable driver
- 50,000 hour lifespan / 5 year warranty

SPECIFICATIONS

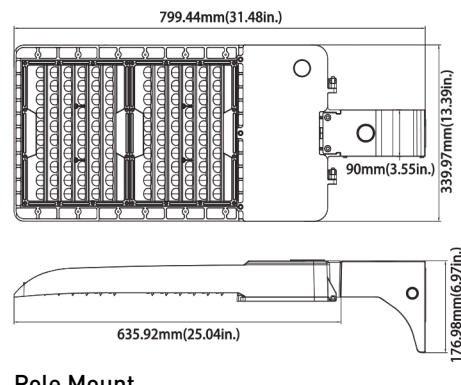
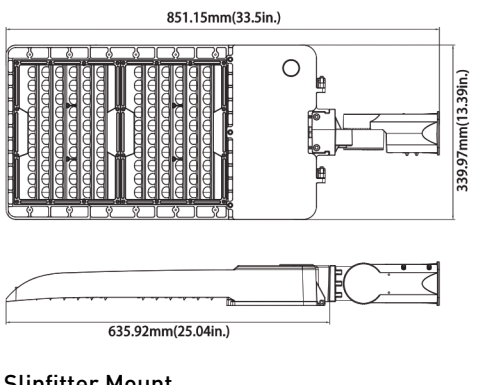
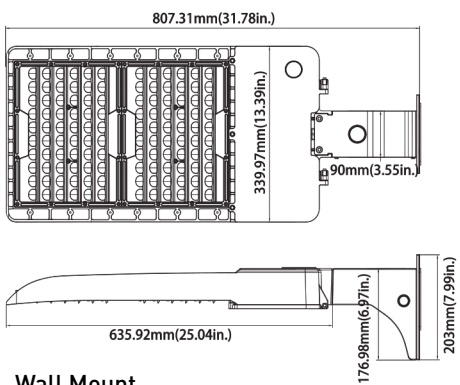
Wattage	150 / 200 / 250 / 300W		
Efficacy	up to 141 lm/W		
Beam Spread	Type III / Type V		
Color Temp	4000K / 5000K		
Lumens		4000K	5000K
		TYPE III / TYPE V	TYPE III / TYPE V
	150W	19497 / 21150	19700 / 21385
	200W	26096 / 27086	26200 / 27200
	250W	32883 / 34623	33250 / 35250
	300W	39300 / 42300	39495 / 42998
Power Factor	>0.95		
CRI	>70		
Input Voltage	AC100-277V 50/60Hz		
Housing	Die-cast aluminum		
Mounting	Wall Mount / Slipfitter Mount / Pole Mount		
Warranty	5 years		

DIMENSIONS

CFM / 150 & 200W



CFM / 250 & 300W



Wall Mount

Slipfitter Mount

Pole Mount



CENTAURI v2 CFM :

CFM

MOUNTING METHODS



Wall Mount

Wall mount is an easy to install option for direct wall mounting with 1/2" conduit, wiring, or standard J-box mounting.



Slipfitter Mount


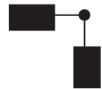



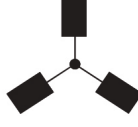

An optional cast aluminum mast arm adapter for mounting to nominal 2" (2-3/8" O.D. pipe) horizontal steel.



Pole Mount

Standard versatile mounting arm for simple installation onto existing poles or retrofit installations.

EPA OF AREA LIGHT

Item							
	1	2 @90°	2 @120°	2@180°	3 @90°	3 @120°	4 @90°
150W Area Light	0.4418	0.7145	0.8813	0.8836	1.0548	1.0135	1.0548
200W Area Light	0.4418	0.7145	0.8813	0.8836	1.0548	1.0135	1.0548
250W Area Light	0.5614	0.8471	1.105	1.1228	1.294	1.2503	1.294
300W Area Light	0.5614	0.8471	1.105	1.1228	1.294	1.2503	1.294

ORDERING GUIDE

example product code: CFM150-T3-U740-WTSMIS

SERIES	TOTAL WATTAGE	BEAM SPREAD	VOLTAGE	CRI	COLOR TEMP	FINISH	MOUNTING	OPTIONAL*
CFM	150	T3	U	7	40	WT	SM	IS
	150—150 Watts	T3—Type III			50—5000K	DB—Dark Bronze	WM—Wall Mount	IS—PIR Sensor
	200—200 Watts	T5—Type V			40—54000K	WT—White	SM—Slipfitter	PC—Photocell
	250—250 Watts					B—Black	PM—Pole Mount	
	300—300 Watts					S—Silver		

*Optional features. Select which you want and add to the end of the part #





Commercial
S. FLOOD
70 / 105W LED

FSM



S. FLOOD FSM :

The Small Flood FSM from IFX offers great light output for wide variety of outdoor lighting applications. The shatterproof polycarbonate UV stabilized lens and sealed die-cast aluminum housing make them perfect for most environments.

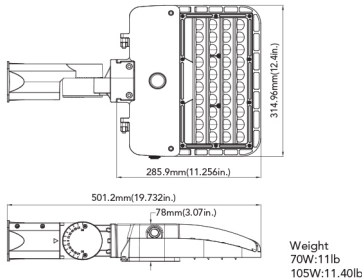
- UL listed and DLC
- Optional motion sensor and photocell
- 50,000 hour lifespan / 5 year warranty

SPECIFICATIONS

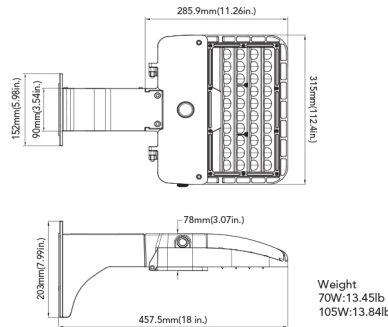
Wattage	70 / 105W		
Efficacy	up to 128 lm/W		
Beam Spread	NEMA 7H x 7V		
Color Temp	3000K / 4000K / 5000K		
Lumens	70W	9431	9500
	105W	13031	13400
Power Factor	>0.95		
CRI	>70		
Input Voltage	AC100-277V 50/60Hz		
Housing	Die-cast aluminum		
Mounting	Wall Mount, Slipfitter, or Yoke Mount		
Warranty	5 years		

DIMENSIONS / MOUNTING

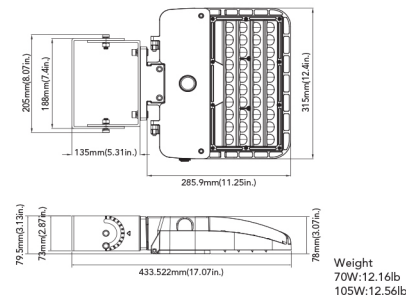
70W&105W (Slipfitter Mount)



70W&105W (Wall Mount)



70W&105W (Yoke Mount)



An optional cast aluminum mast arm adapter for mounting to nominal 2" [2-3/8" O.D. pipe] horizontal steel.

Wall mount is an easy to install option for direct wall mounting with 1/2" conduit, wiring, or standard J-box mounting.

Die-Cast aluminum trunnion is easily adapted to many surfaces and allows for easy fixture aiming adjustments.

ORDERING GUIDE

example product code: FSM70-N7H7V-U740-DBSMIS

SERIES	TOTAL WATTAGE	BEAM SPREAD	VOLTAGE	CRI	COLOR TEMP	FINISH	MOUNTING	OPTIONAL*
FSM	70	N7H7V	U	7	40	DB	SM	IS
	70—70 Watts				50—5000K	DB—Dark Bronze	WM—Wall Mount	IS—PIR Sensor
	105—105 Watts				40—54000K	WT—White	SM—Slipfitter	PC—Photocell
					30—3000K	B—Black	YM—Yoke Mount	
						S—Silver		

*Optional features. Select which you want and add to the end of the part #





Commercial

M. FLOOD

150 / 200W LED

FMM



M. FLOOD FMM :

The Medium Flood FSM from IFX offers great light output for wide variety of outdoor lighting applications. The shatterproof polycarbonate UV stabilized lens and sealed die-cast aluminum housing make them perfect for most environments.

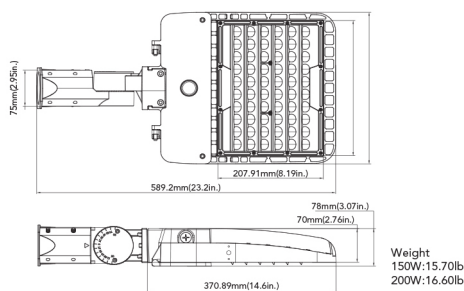
- UL listed and DLC
- Optional motion sensor and photocell
- 50,000 hour lifespan / 5 year warranty

SPECIFICATIONS

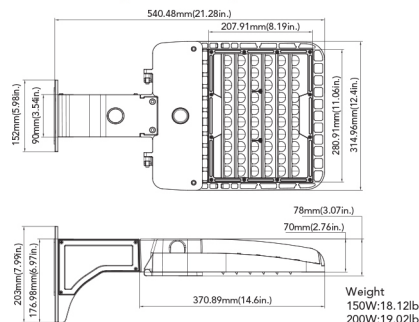
Wattage	150 / 200W		
Efficacy	up to 136 lm/W		
Beam Spread	NEMA 7H x 7V		
Color Temp	3000K / 4000K / 5000K		
Lumens	150W	20100	20500
	200W	24078	24500
Power Factor	>0.95		
CRI	>70		
Input Voltage	AC100-277V 50/60Hz		
Housing	Die-cast aluminum		
Mounting	Wall Mount, Slipfitter, or Yoke Mount		
Warranty	5 years		

DIMENSIONS / MOUNTING

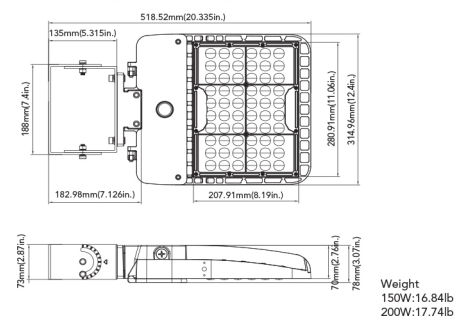
150W&200W (Slipfitter Mount)



150W&200W (Wall Mount)



150W&200W (Yoke Mount)



An optional cast aluminum mast arm adapter for mounting to nominal 2" [2-3/8" O.D. pipe] horizontal steel.

Wall mount is an easy to install option for direct wall mounting with 1/2" conduit, wiring, or standard J-box mounting.

Die-Cast aluminum trunnion is easily adapted to many surfaces and allows for easy fixture aiming adjustments.

ORDERING GUIDE

example product code: FMM150-N7H7V-U740-DBSMIS

SERIES	TOTAL WATTAGE	BEAM SPREAD	VOLTAGE	CRI	COLOR TEMP	FINISH	MOUNTING	OPTIONAL*
FMM	150	N7H7V	U	7	40	DB	SM	IS
	150—150 Watts				50—5000K	DB—Dark Bronze	WM—Wall Mount	IS—PIR Sensor
	200—200 Watts				40—54000K	WT—White	SM—Slipfitter	PC—Photocell
					30—3000K	B—Black	YM—Yoke Mount	*Optional features. Select which you want and add to the end of the part #
						S—Silver		

flood light

Commercial

L. FLOOD

250 / 300W LED

FLM



L. FLOOD FLM :

The Large Flood FSM from IFX offers great light output for wide variety of outdoor lighting applications. The shatterproof polycarbonate UV stabilized lens and sealed die-cast aluminum housing make them perfect for most environments.

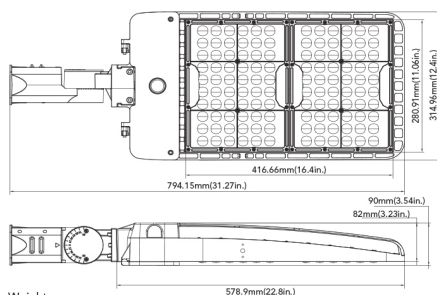
- UL listed and DLC
- Optional motion sensor and photocell
- 50,000 hour lifespan / 5 year warranty

SPECIFICATIONS

Wattage	250 / 300W		
Efficacy	up to 146 lm/W		
Beam Spread	NEMA 7H x 7V		
Color Temp	3000K / 4000K / 5000K		
Lumens	250W	33800	35055
	300W	37855	40000
Power Factor	>0.95		
CRI	>70		
Input Voltage	AC100-277V 50/60Hz		
Housing	Die-cast aluminum		
Mounting	Wall Mount, Slipfitter, or Yoke Mount		
Warranty	5 years		

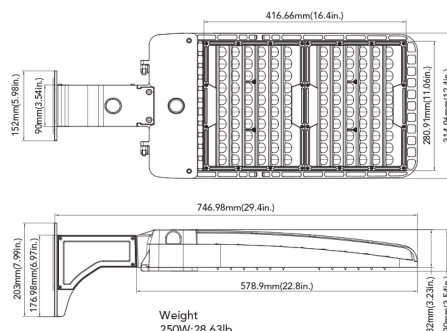
DIMENSIONS / MOUNTING

250W&300W (Slipfitter Mount)



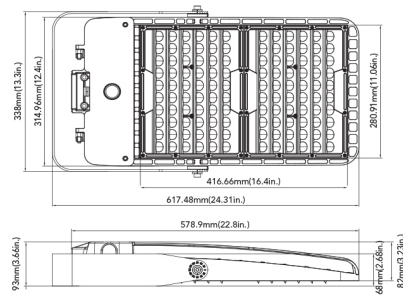
Weight
250W:26.26lb
300W:26.96lb

250W&300W (Wall Mount)



Weight
250W:28.63lb
300W:29.36lb

250W&300W (Trunnion Mount)



Weight
250W:26.918lb
300W:27.624lb

An optional cast aluminum mast arm adapter for mounting to nominal 2" (2-3/8" O.D. pipe) horizontal steel.

Wall mount is an easy to install option for direct wall mounting with 1/2" conduit, wiring, or standard J-box mounting.

Die-Cast aluminum trunnion is easily adapted to many surfaces and allows for easy fixture aiming adjustments.

ORDERING GUIDE

example product code: FLM250-N7H7V-U740-DBSMIS

SERIES	TOTAL WATTAGE	BEAM SPREAD	VOLTAGE	CRI	COLOR TEMP	FINISH	MOUNTING	OPTIONAL*
FLM	150	N7H7V	U	7	40	DB	SM	IS
	250—250 Watts				50—5000K	DB—Dark Bronze	WM—Wall Mount	IS—PIR Sensor
	300—300 Watts				40—54000K	WT—White	SM—Slipfitter	PC—Photocell
					30—3000K	B—Black	TM—Trunnion	*Optional features. Select which you want and add to the end of the part #
						S—Silver		



Commercial

OVATION

15/25/35W LED

TL

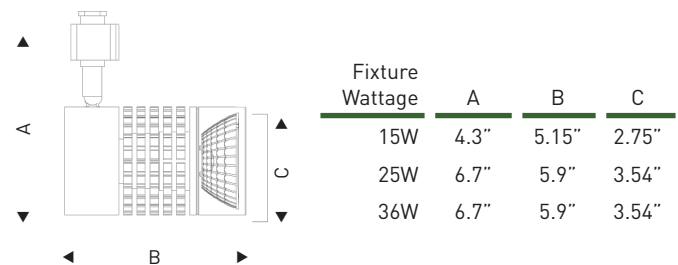


OVATION TL01 :

The OVATION series of LED track fixtures uses a COB CREE LED to provide a high CRI (90CRI available for 2700K and 3000K) and 80lm/W light output. The dimmable driver works with most standard dimmers without flicker (120V AC ONLY). The fixtures are also adjustable with a continuous rotation of 350° and a 90° pivot. Unlike Metal Halide fixtures, the OVATIONS are instant start, quiet, and environment friendly.

- Ideal for accent lighting in shops, museums, galleries, schools, hotels, and homes.
- 15W is equivalent to a 39W Metal Halide
- 25W is equivalent to a 50W Metal Halide
- 36W is equivalent to a 70W Metal Halide

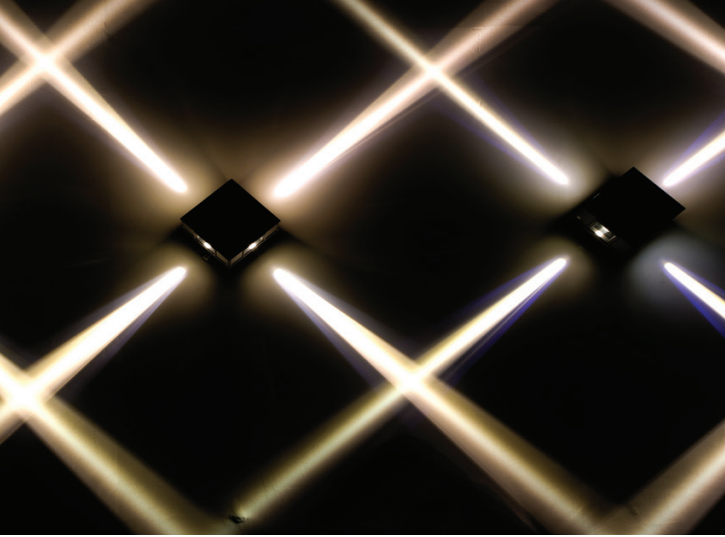
DIMENSIONS



CCT	15W	25W	36W
	LUMENS		
2700K	1085	1904	2802
3000K	1238	2009	2889
4000K	1358	2154	3052
5000K	1358	2154	3052

ORDERING GUIDE

MODEL NUMBER	WATTAGE	BEAM SPREAD	INPUT VOLTAGE	CRI	COLOR TEMP	HOUSING COLOR	TRACK ADAPTER
TL1	25	SP38	2A	9	30	WH	J
	15W 25W 36W	NSP20 - 20° NSP24 - 24° SP38 - 38° NFL60 - 60°	1 - 12V 2 - 24V 3 - 120V U - Universal A - AC D - DC	8 - 80 9 - 90	27 - 2700K 30 - 3000K 40 - 4000K 50 - 5000K	BL - Black WH - White	H - Halo J - Juno L - Lightolier



surface mount

Decorative

CRISS CROSS

11W LED

CC





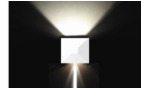





CRISS CROSS CC :

The Criss Cross LED Lighting Fixture from illuminFx lighting is a decorative luminaire that can be used to create interesting lighting effects. Four very shallow light beams exit the fixture and can be combined with multiple CC fixtures to illuminate a space in very new and exciting ways.

SPECIFICATIONS

Housing	Die cast aluminum alloy
Color Temp	3000K (WW)
LED	CREE / CRI 80
Glass	Tempered Glass
PCB Material	Aluminum
Gasket	Silicon Rubber Ring
Input Voltage	12VAC
Dimensions	5.5" x 5.5" x 4.3"

Model Number	LED Array	Input Voltage	Color	# of Beams	Cord Termination	Max Power	LUM Flux
CC-L43-1AW402X-B-06HW	4 x 3W	12VAC	3000K		2-wire	13W	880lm
CC-L43-1AW460X-B-06HW	4 x 3W	12VAC	3000K		2-wire	13W	880lm
CC-L23-1AW202L-B-06HW	2 x 3W	12VAC	3000K		2-wire	7W	440lm
CC-L23-1AW202I-B-06HW	2 x 3W	12VAC	3000K		2-wire	7W	440lm
CC-L23-1AW262I-B-06HW	2 x 3W	12VAC	3000K		2-wire	7W	440lm
CC-L23-1AW260I-B-06HW	2 x 3W	12VAC	3000K		2-wire	7W	440lm
CC-L13-1AW102-B-06HW	1 x 3W	12VAC	3000K		2-wire	4W	220lm
CC-L13-1AW160-B-06HW	1 x 3W	12VAC	3000K		2-wire	4W	220lm



illuminFx reserves the right to make changes to specifications at any time with or without notice



commercial

oslo

BOLLARD LED Path Light

BD1



BOLLARD BD1 :

The IlluminFx BD1 Bollard is an energy efficient LED path light. This low wattage, high lumen solution is perfect for commercial locations to light up pathways. Comes standard with a mounting kit with 8" bolts.

- CSA: Listed for wet locations
- 50,000 Hours+

SPECIFICATIONS

Housing	Extruded aluminum housing				
Refractor	IES Type III clear prismatic Borosilicate glass				
Lens	Clear polycarbonate				
LED	LG Innotek				
Wattage	9 / 12W				
Lumens		C		F	
		12W	9W	12W	9W
	6500K	1288	850	1345	888
	5700K	1288	850	1345	888
	4000K	1076	710	1100	726
CRI	>Ra70				
Color Temp	4000 / 5700 / 6500K				
Driver	Electronic Driver, 120-277VAC, 50/60Hz				
Dimmable	YES				
Operating Temp	-40–122°F				
Finish	Bronze / White / Black				

OPTIONAL MOUNTING KITS



- BDAN4**—Includes Bracket w/Three (3) 4" Anchor Bolts
- BDAN8**—Includes Bracket w/Three (3) 8" Anchor Bolts
- BDAN12**—Includes Bracket w/Three (3) 12" Anchor Bolts
- BDAN15**—Includes Bracket w/Three (3) 15" Anchor Bolts



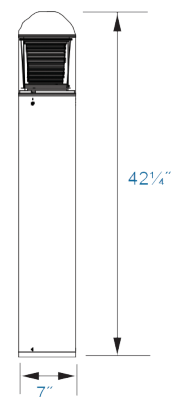
BDRM—Root Mount Kit

ORDERING GUIDE

example product code: BD1/09/U40/135/BZ

SERIES	W1	VOLTAGE	COLOR TEMP	BEAM SPREAD	HOUSING FINISH
BD1	09	U	40	135	BZ
	09—9W		65—6500K (TW)	24—24°	DZ—Bronze
	12—12W		57—5700K (NW)	45—45°	W—White
			40—4000K (NW)	60—60°	B—Black
				130—130°	
				135—135° x 50°	

DIMENSIONS



illuminfx

illuminFx reserves the right to make changes to specifications at any time with or without notice



RIO

FESTIVA

60W WIRELESS DMX

BW

RoHS
Compliant

FESTIVA BW :

The FESTIVA Wireless, Battery operated LED RGBW light is perfect for mobile lighting applications. These lights are extremely easy to set up and can be used with full DMX capabilities.

BATTERY POWERED

The FESTIVA lights can be powered via the built in battery which can last up to 18 hours on a single charge! These lights are charged with the provided IEC cord or can be left plugged in for longer running applications.

WIRELESS OPERATION

DMX signal can be sent wirelessly with the optional DMX signal transmitter. You can then use a DMX512 Spectrum Select controller to control the lights without using any DMX cable. You can also connect an DMX XLR cable to the lights to operate them as well. Additionally, you can connect to the first fixture with a XLR cable and use that first fixture to talk wirelessly to the rest of the BW Lights in the system.

BUILT IN MODES

You can also use the BW Festiva lights with the built in color change modes, or select a static color from the built in LCD screen. The FESTIVA lights also come with a Sound Activated function that with an onboard Mic will pick up sounds and change the lights colors along to the music.

ORDERING GUIDE

Part # **BW-610-B**

Housing	Die-cast aluminum	
Wattage	60W	
Control Type	DMX 512, Auto Run, Master/Slave, Sound Activated	
Voltage	AC90V-250V, 50-60HZ	
LED Type	6x10W RGBW 4-in-1	
Beam Spread	10°	
Battery Life	Full Color	5 hours
	Color Fade / 100%	8 hours
	Color Fade / 75%	13 hours
	Color Fade / 50%	18 hours

CHARGING FLIGHT CASE

An optional flight case is also available to house 8 BW-610-B fixtures. The lights can be plugged into the case, and the case can then be plugged into a wall, quickly and easily charging all 8 lights at once! Comes in either 9mm or 12mm thick wood.





CONTACT
INFORMATION

Business Address
22 Harcourt Road
Rochester, New York 14606

Phone [585] 254 – 8010
Fax [585] 254 – 8033

www.illuminfx.com
info@illuminfx.com

COPYRIGHT

Entire contents © illuminFx Lighting Systems.
All rights reserved.

Reproduction in whole or in part without
permission is strictly prohibited.